

iC-NV

6-BIT Sin/D FLASH CONVERTER



Rev C1, Page 1/19

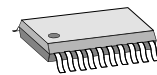
FEATURES

- Fast flash converter
- Integrated glitch filter; minimum transition distance can be set using the optional resistor
- Selectable resolution of up to 64 steps per cycle and up to 16-fold interpolation
- Integrated instrumentation amplifiers with adjustable gain
- Direct connection of sensor bridges, no external components required
- 200kHz input frequency with the highest resolution
- Incremental A QUAD B output of up to 3.2MHz
- Reversed A/B phase selectable
- Index signal processing
- Sensor bridge calibration supportable by analog/digital test signals
- Low power consumption from single 5V supply
- TTL- /CMOS-compatible outputs
- Inputs and outputs protected against destruction by ESD

APPLICATIONS

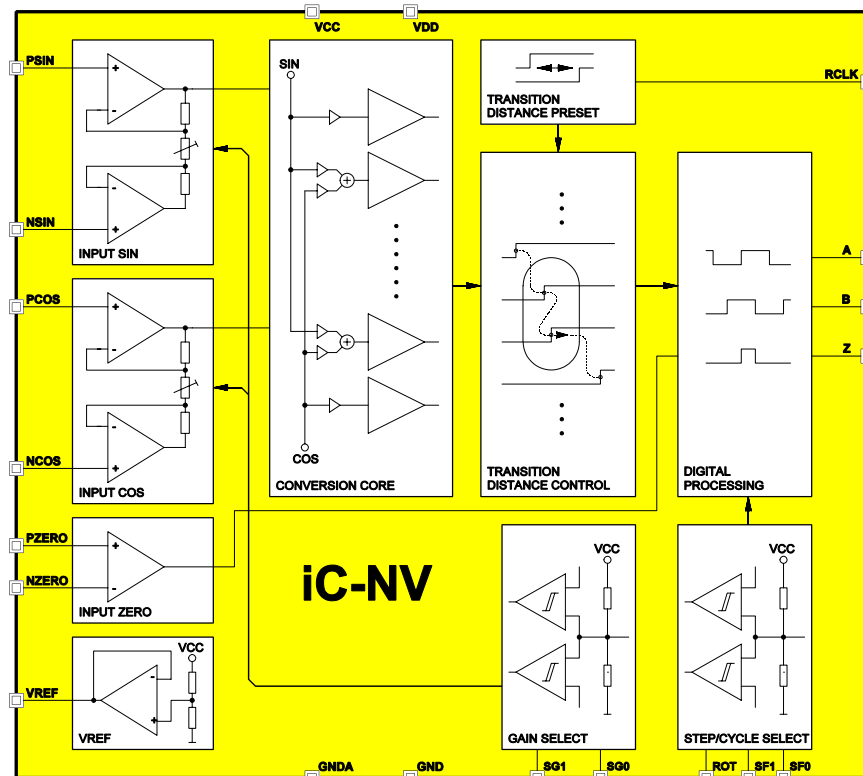
- Angle interpolation from orthogonal sinusoidal input signals
- Linear and rotary encoders
- MR sensor systems

PACKAGES



TSSOP20

BLOCK DIAGRAM



iC-NV

6-BIT Sin/D FLASH CONVERTER



Rev C1, Page 2/19

DESCRIPTION

iC-NV is a monolithic A/D converter which produces two digital A/B incremental signals phase-shifted at 90° from two sinusoidal input signals, also phase-shifted at 90°.

The converter operates on the flash principle with fast single comparators. The back-end signal processing circuit includes a no-delay glitch filter which can be set so that only clearly countable incremental signals are generated. The minimum transition distance for outputs A and B can be set via an external resistor and adapted to suit the application on hand. For static input signals hysteresis prevents the switching of the outputs.

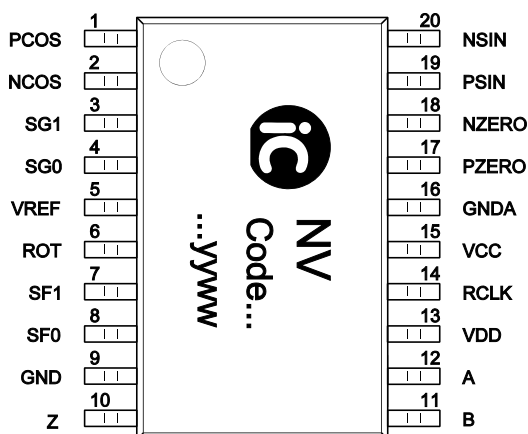
By programming the pins the interpolator can be set to nine different resolutions between 4 and 64 angle steps per cycle; multiplication values of between 1 and 16 are possible for the frequency. The phase relation between the sine/cosine input signals and the A/B incremental signals generated can be selected here.

The device also incorporates an index signal processing circuit which generates a digital zero pulse at Z dependent on the analog sine/cosine input signals and the enable input ZERO. Alternatively, the converter MSB can also be output at Z for synchronization purposes in an absolute measuring system.

The input amplifiers are configured as instrumentation amplifiers and permit sensor bridges to be directly connected without the need for external resistors. The input amplification has nine selectable settings which have been graded to suit standard sensor signals of between ca. 10mVpk and 1Vpk. If external calibration of the sensor bridge is required, eg. with regard to offset, various test functions can be activated. By this the amplified analog input signals come available at the outputs, for instance.

PACKAGES TSSOP20 to JEDEC Standard

PIN CONFIGURATION TSSOP20 4.4mm (top view)



PIN FUNCTIONS

No.	Name	Function
1	PCOS	Input Cosine %
2	NCOS	Input Cosine &
3	SG1	Gain Select Input
4	SG0	Gain Select Input
5	VREF	Reference Voltage Output
6	ROT	S6 A/B Phase Selection Input / Test Signal Output
7	SF1	S5 Resolution Selection Input / Test Signal Output
8	SF0	S4 Resolution Selection Input / Test Signal Output
9	GND	Ground (digital)
10	Z (MSB)	S3 Index Signal Output Z (MSB Output when ROT= open) / Test Signal Output
11	B	S2 Incremental Output B / Test Signal Output
12	A	S1 Incremental Output A / Test Signal Output
13	VDD	+5 V Supply Voltage (digital)
14	RCLK	Min. Transition Distance Preset Input (use is optional; can be wired to VCC)
15	VCC	+5 V Supply Voltage (analog)
16	GNDA	Ground (analog)
17	PZERO	Index Signal Enable Input %
18	NZERO	Index Signal Enable Input &
19	PSIN	Input Sine %
20	NSIN	Input Sine &

External connections linking VCC to VDD and GND to GNDA are required.

iC-NV

6-BIT Sin/D FLASH CONVERTER



Rev C1, Page 3/19

ABSOLUTE MAXIMUM RATINGS

Values beyond which damage may occur; device operation is not guaranteed.

Item	Symbol	Parameter	Conditions	Fig.			Unit
					Min.	Max.	
G001	VCC	Supply Voltage analog			-0.3	6	V
G002	VDD	Supply Voltage digital			-0.3	6	V
G003	V()	Voltage at NSIN, PSIN, NCOS, PCOS, NZERO, PZERO, SG1, SG0, RCLK SF1, SF0, ROT, A, B, Z	V() < VCC+0.3V V() < VDD+0.3V		-0.3	6	V
G004	I _{mx} (VCC)	Current in VCC			-50	50	mA
G005	I _{mx} (GNDA)	Current in GNDA			-50	50	mA
G006	I _{mx} (VDD)	Current in VDD			-50	50	mA
G007	I _{mx} (GND)	Current in GND			-50	50	mA
G008	I _{mx} ()	Current in NSIN, PSIN, NCOS, PCOS, NZERO, PZERO, SG1, SG0, VREF, RCLK, SF1, SF0, ROT, A, B, Z			-10	10	mA
G009	I _{lu} ()	Pulse Current in all pins (Latch-up strength)	pulse duration < 10μs		-100	100	mA
EG1	V _d ()	ESD Susceptibility at all pins	100pF discharged through 1.5kΩ			2	kV
TG1	T _j	Operating Junction Temperature			-40	150	°C
TG2	T _s	Storage Temperature Range			-40	165	°C

THERMAL DATA

Operating Conditions: VCC= VDD= 5V ±10%

Item	Symbol	Parameter	Conditions	Fig.				Unit
					Min.	Typ.	Max.	
T1	T _a	Operating Ambient Temperature Range (extended temperature range of -40 to 125 °C available on request)			-25		85	°C

All voltages are referenced to ground unless otherwise noted.
All currents into the device pins are positive; all currents out of the device pins are negative.

iC-NV

6-BIT Sin/D FLASH CONVERTER



Rev C1, Page 4/19

ELECTRICAL CHARACTERISTICS

Operating Conditions: VCC= VDD= 5V ±10%, Tj= -40..125°C, unless otherwise noted

Item	Symbol	Parameter	Conditions	Tj °C	Fig.				Unit	
						Min.	Typ.	Max.		
Total Device										
001	VCC, VDD	Permissible Supply Voltage				4.5		5.5	V	
002	I(VCC)	Supply Current in VCC	fin()= 200kHz; A, B, Z open					15	mA	
003	I(VDD)	Supply Current in VDD	fin()= 200kHz; A, B, Z open					5	mA	
004	Von	Power-On Reset Threshold				2		3.8	V	
005	Voff	Power-Down Reset Threshold				1		2.2	V	
006	Vhys	Power-On Reset Hysteresis				0.4		1.8	V	
007	Vc(hi)	Clamp Voltage hi at NSIN, PSIN, NCOS, PCOS, NZERO, PZERO, SG1, SG0, ROT, SF1, SF0, VREF, RCLK	Vc(hi)= V() -VCC; I()= 1mA, other pins open			0.3		1.6	V	
008	Vc(lo)	Clamp Voltage lo at NSIN, PSIN, NCOS, PCOS, NZERO, PZERO, SG1, SG0, ROT, SF1, SF0, VREF, RCLK, A, B, Z	I()= -1mA, other pins open			-1.5		-0.3		
009	Vc(hi)	Clamp Voltage hi at A, B, Z	Vc(hi)= V()-VDD; I()= 1mA, other pins open			0.3		1.6	V	
Input Amplifiers NSIN, PSIN, NCOS, PCOS										
101	Vos()	Input Offset Voltage	Vin() see table gain select GAIN= 10..66 GAIN= 3..7.1			-7 -10		7 10	mV mV	
102	Iin()	Input Current	V()= 0V.. VCC			-50		50	nA	
103	G()	Gain	GAIN following table gain select			95		101	%	
104	Grel	Gain Ration SIN/COS	GAIN following table gain select			98		102	%	
105	fhc	Cut-off Frequency	GAIN= 66.667 GAIN= 3.03			500 2.3			kHz MHz	
106	SR	Slew Rate	GAIN= 66.667 GAIN= 3.03			10 15			V/μs V/μs	
Signal Processing: Converter Accuracy										
201	AAabs	Absolute Angle Accuracy	referred to 360° input signal, GAIN= 3.03; VPin= 2...2.6 Vpp, VNin= 2.5 Vdc VPin= 1...1.3 Vpp, VNin= 2.5 Vdc			-1 -2		1 2	DEG DEG	
202	AArel	Relative Angle Accuracy	referred to period of A, B GAIN= 3.03		7	-10		10	%	
VREF										
401	V(VREF)	Reference Voltage at VREF	I(VREF)= -1mA..+1mA			48		52	%VCC	
Signal Processing: Transition Distance Control										
501	RCLK	Permissible Resistor at RCLK vs. GNDA	DIV= 1 (IPF= 10, 12, 16) DIV= 2 (IPF= 5, 8) DIV= 4 (IPF= 3, 4) DIV= 8 (IPF=2) DIV= 16 (IPF= 1)			47 23 12 6 3		500 500 500 500 500	kΩ kΩ kΩ kΩ kΩ	
502	DT()	Minimum Transition Distance	R(RCLK, GNDA)= 47KΩ 1%; DIV= 1 DIV= 16		4 2	45 490		78 1000	ns ns	
503	DT()	Minimum Transition Distance	V(RCLK)= VCC; DIV= 1 DIV= 16			30 420		78 1000	ns ns	

ELECTRICAL CHARACTERISTICS

Operating Conditions: VCC= VDD= 5V ±10%, Tj= -40..125°C, unless otherwise noted

Item	Symbol	Parameter	Conditions	Tj °C	Fig.				Unit	
						Min.	Typ.	Max.		
Zero Comparator										
701	Vos()	Input Offset Voltage	V()= Vcm()			-20		20		mV
702	Iin()	Input Current	V()= 0V.. VCC			-50		50		nA
703	Vcm()	Common-Mode Input Volt. Range				1.4		VCC-1.5		V
704	Vdm()	Differential Input Voltage Range				0		VCC		V
Signal Processing: Inputs SG1, SG0, ROT, SF1, SF0										
801	Vt()hi	Input Threshold Voltage hi				60		78		%VCC
802	Vt()lo	Input Threshold Voltage lo				25		40		%VCC
803	V0()	Mid Level Voltage				43		57		%VCC
804	Ri()	Input Resistance				45	150	220		kΩ
Signal Processing: Outputs A, B, Z										
D01	Vs()hi	Saturation Voltage hi	Vs()hi= VDD-V(); I()= -4mA					0.4		V
D02	Vs()lo	Saturation Voltage lo	I()= 4mA					0.4		V
D05	tr()	Rise Time	CL()= 50pF					60		ns
D06	tf()	Fall Time	CL()= 50pF					60		ns

ELECTRICAL CHARACTERISTICS: Diagrams

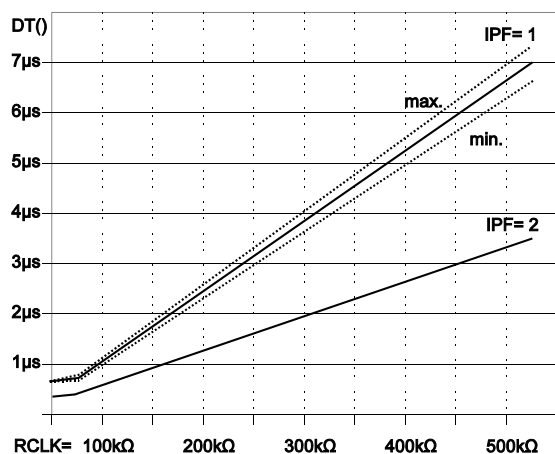


Fig. 1: Adjusting the minimum transition distance via resistor RCLK (given typical at 5V, 27°C; for IPF= 1 within 5V ±10% and -40..+125°C ranges).

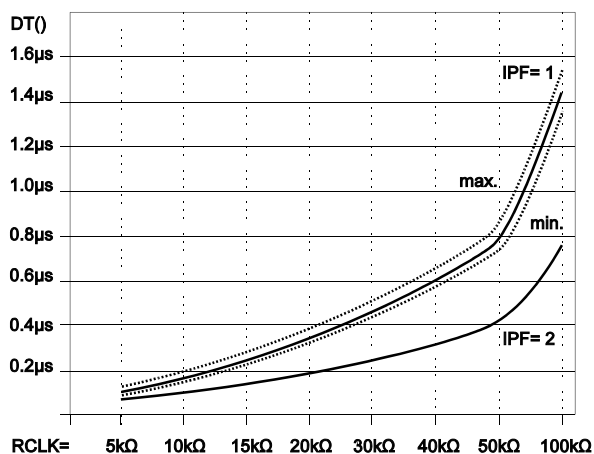


Fig. 2: Similar to Figure 1; the minimum transition distance can be reduced by smaller resistors RCLK.

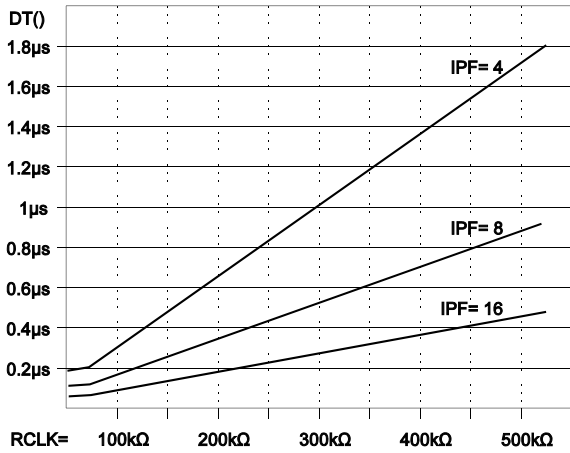


Fig. 3: Adjusting the minimum transition distance via resistor RCLK.

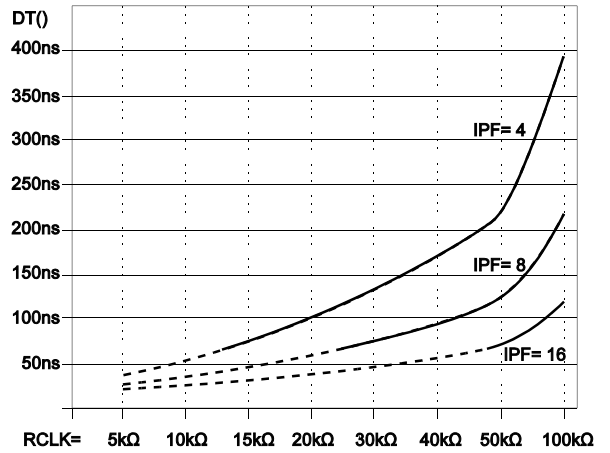


Fig. 4: Similar to Figure 3; minimum transition distance for smaller RCLK resistor values.

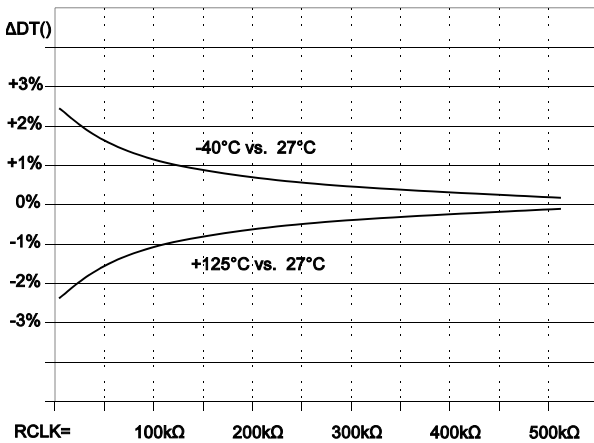


Fig. 5: Temperature drift of the minimum transition distance versus 27°C (VDD= 5V).

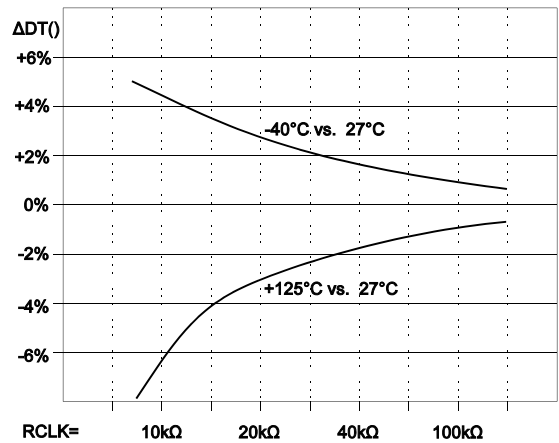


Fig. 6: Temperature drift of the reduced minimum transition distance versus 27°C (VDD= 5V).

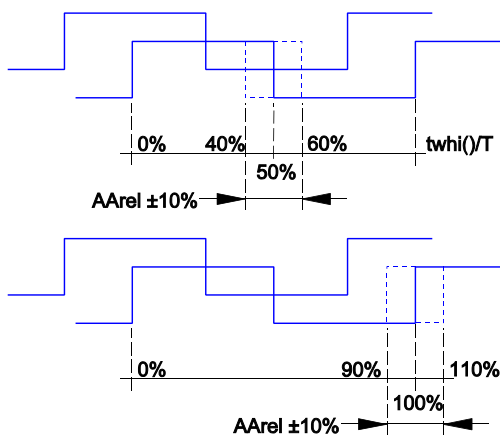


Fig. 7: Definition of the relative angle accuracy.

DESCRIPTION OF FUNCTIONS

Input Amplifiers

Input stages SIN and COS are configured as instrumentation amplifiers. The gain is dependent on the amplitude of the input signal and set via pins SG0 and SG1 according to the following table. So that the DC level to be adjusted half of the supply voltage is available at VREF.

GAIN SELECT						
SG1	SG0	Gain	Sine/Cosine Input Signal Levels Vin()			
			Amplitude		Average value (DC)	
			differential	single ended	differential	single ended
hi	hi	66.667	up to 60mVpp	up to 120mVpp	0.7V .. VCC-1.2V	0.7V .. VCC-1.2V
hi	open	50.000	up to 80mVpp	up to 160mVpp	0.7V .. VCC-1.2V	0.7V .. VCC-1.2V
hi	lo	33.333	up to 120mVpp	up to 240mVpp	1.2V .. VCC-1.2V	1.2V .. VCC-1.3V
open	hi	20.000	up to 0.2Vpp	up to 0.4Vpp	1.2V .. VCC-1.2V	1.2V .. VCC-1.3V
open	open	14.300	up to 0.28Vpp	up to 0.56Vpp	0.7V .. VCC-1.3V	0.8V .. VCC-1.4V
open	lo	10.000	up to 0.4Vpp	up to 0.8Vpp	1.2V .. VCC-1.3V	1.3V .. VCC-1.5V
lo	hi	7.125	up to 0.56Vpp	up to 1.1Vpp	1.2V .. VCC-1.4V	1.4V .. VCC-1.7V
lo	open	4.000	up to 1Vpp	up to 2Vpp	1.2V .. VCC-1.6V	1.6V .. VCC-2.1V
lo	lo	3.030	up to 1.3Vpp	up to 2.6Vpp	1.2V .. VCC-1.7V	1.8V .. VCC-2.4V

Converter Core, Transition Distance Control

For each of the 64 comparator levels the sine/cosine input signals are calculated according to the theorem of addition and are fed into single comparators. This procedure guarantees a very high converter frequency yet also means that consecutive comparators can switch in a very short space of time in the event of input signal disturbances.

The comparator outputs are thus fed into a transition distance control unit. This monitors the temporal sequence of the switching operations in such a way that each event is delayed by the length of the settable minimum gap to the previous event. If no errors arise the transitions pass the control unit without a time delay. Synchronization with a fixed clock pulse does not occur.

The minimum transition distance is set via an external resistor positioned between RCLK and GNDA. Alternatively, pin RCLK can be shorted to VCC. Depending on the resolution maximum input frequencies of at least 200kHz are then guaranteed (see table of resolution).

Digital Processing Unit

The transition distance control unit is followed by the digital processing unit. This is where the transition events are converted into a pulse sequence for the incremental outputs A and B. The square-wave signals generated have a phase shift of +90° or -90°, depending on the direction of rotation. The phase relation between the sine/cosine input signals and the A/B output signals can be set using programming pin ROT.

Alternatively, the MSB of the converter can be output to Z when ROT is high. With the zero signal this changes to high and has the pulse length of half a cycle. This signal can be used to synchronize the high-order tracks of an absolute-value encoder device.

iC-NV

6-BIT Sin/D FLASH CONVERTER



Rev C1, Page 8/19

A/B OUTPUT PHASE SELECTION		
ROT	Input signals	Output signals A, B; Z
lo	positive; COS leading SIN	B leading A; Z
lo	negative; SIN leading COS	A leading B; Z
open	positive; COS leading SIN	B leading A; MSB
open	negative; SIN leading COS	A leading B; MSB
hi	positive; COS leading SIN	A leading B; Z
hi	negative; SIN leading COS	B leading A; Z

Resolution, frequency ranges

Nine different resolutions or interpolation factors (IPF) can be programmed via inputs SF0 and SF1. Resolutions 16, 12 and 10 are generated at the core of the converter itself. Resolutions of less than 10 are produced by division DIV in the digital processing unit. The minimum transition distance at outputs A and B corresponds to that of the transition distance control multiplied by the divisor of the digital processing unit.

The minimum output transition distance (maximum output frequency) should be adjusted to tarry with the overall system (bandwidth of the transfer medium, sampling rate of the counter). The maximum input frequency is determined by the transition distance control and the resolution of the converter core (16, 12 or 10). This frequency can be increased for resolutions of less than 10 with an external resistor at RCLK. The following table gives possible settings.

RESOLUTION					
SF1	SF0	IPF	DIV internal division	f_{in_MAX}	f_{in_MAX} for RCLK= VCC or RCLK= 47 k Ω
hi	hi	16	1	200 kHz, RCLK= 47 k Ω	200 kHz
hi	open	12	1	260 kHz, RCLK= 47 k Ω	260 kHz
hi	lo	10	1	320 kHz, RCLK= 47 k Ω	320 kHz
open	hi	8	2	400 kHz, RCLK= 23 k Ω	200 kHz
open	open	5	2	640 kHz, RCLK= 23 k Ω	320 kHz
open	lo	4	4	800 kHz, RCLK= 12 k Ω	200 kHz
lo	hi	3	4	1.04 MHz, RCLK= 12 k Ω	260 kHz
lo	open	2	8	1.6 MHz, RCLK= 6 k Ω	200 kHz
lo	lo	1	16	(3.2 MHz), RCLK= 3 k Ω	200 kHz

Hysteresis

iC-NV has an angular hysteresis which is independent of the input amplitude and phase. It prevents the outputs from switching when the inputs are static. The following diagram shows the effect this has with an interpolation factor of 8..

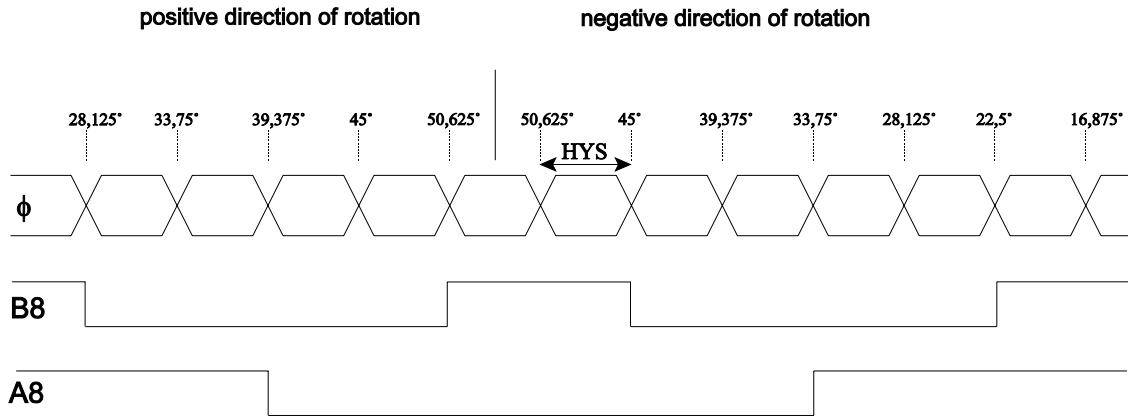


Fig. 8: Effect of angle hysteresis

When the direction of rotation is reversed the integrated hysteresis circuit prompts the change in direction to be signaled at the outputs; the hysteresis causes a delay here. According to the resolution the hysteresis is set to one of the following fixed values.

ANGLE HYSTERESIS									
Interpolation factor	1	2	3	4	5	8	10	12	16
Hysteresis DEG	5,625°	5,625°	7,5°	5,625°	9°	5,625°	9°	7,5°	5,625°
referred to A/B period	1/64	1/32	1/16	1/16	1/8	1/8	1/4	1/4	1/4

Zero pulse

One zero pulse (index) is generated per cycle from the sine/cosine inputs. To be output to Z it must be enabled by the comparator at differential inputs PZERO and NZERO. The width of the zero pulse is a quarter of the length of the A and/or B signal output cycle. When Z is high, simultaneously A&B are high. The position of the zero pulse dependent on the interpolation factor and the direction of rotation is given in the following table.

INDEX POSITION		
IPF	positive direction of rotation	negative direction of rotation
16	45° .. 50,625°	39,375° .. 45°
12	45° .. 52,5°	37,5° .. 45°
10	45° .. 54°	36° .. 45°
8	39,375° .. 50,625°	33,75° .. 45°
5	36° .. 54°	27° .. 45°
4	33,75° .. 56,25°	28,125° .. 50,625°
3	30° .. 60°	22,5° .. 52,5°
2	22,5° .. 67,5°	16,875° .. 61,875°
1	0° .. 90°	354,375° .. 84,625°

Oscilloscope diagrams

The following diagrams give the input and output signals for various directions of rotation and ROT settings for interpolation factors 1 and 16.

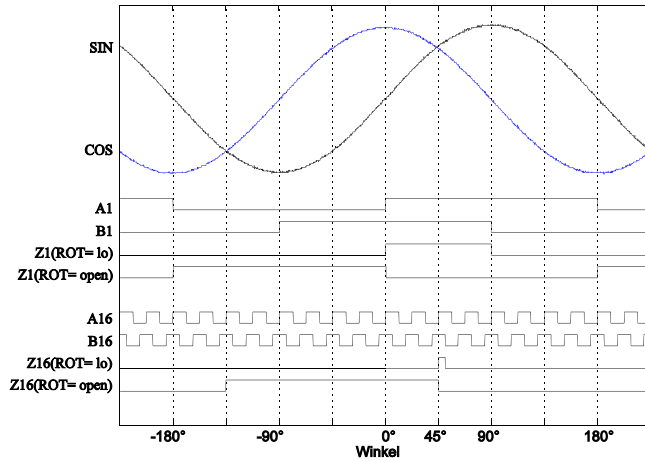


Fig. 9: ROT= lo/open, COS leading SIN

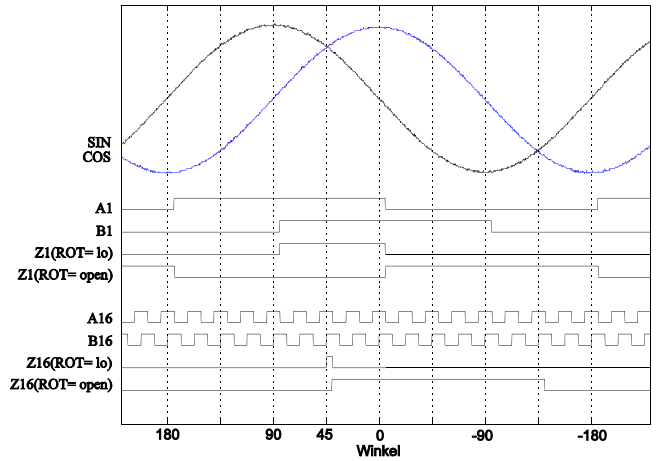


Fig. 10: ROT= lo/open, SIN leading COS

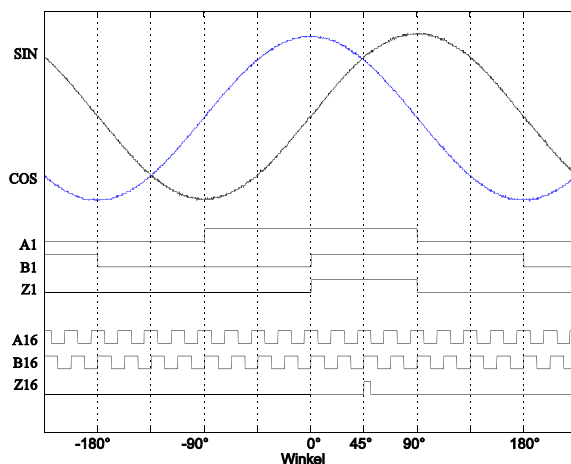


Fig. 11: ROT= hi, COS leading SIN

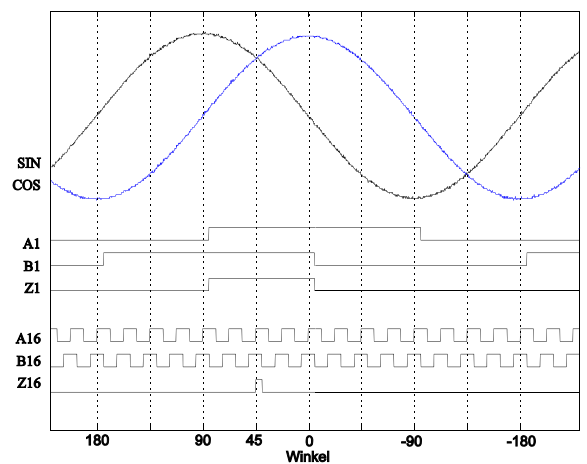


Fig. 12: ROT= hi, SIN leading COS

iC-NV

6-BIT Sin/D FLASH CONVERTER



Rev C1, Page 12/19

Description of test signals

MODE 3

ZK un-gated index/zero comparator output
EXKA all comparators EXOR-gated
SIN, NSIN, COS, NCOS
 amplifier outputs (signal valid with no load only)

MODE 1

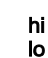

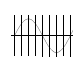
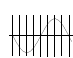
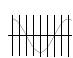
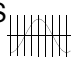
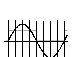
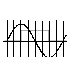



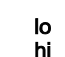


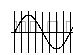
CLK, UP, DN
 Control signals for external counters.

MODE 2

NENOS, CLK, DALL
 Test signals for iC-Haus device test.

MODE 0

KA(0) Comparator 0°-180°
 Duty cycle indicates offset of sine signal.
KA(16) Comparator 90°-270°
 Duty cycle indicates offset of cosine signal.
KA(X): KA(8) EXOR KA(24)
 Comparator 45°-225°
 Duty cycle indicates amplitude ratio of sine/cosine signal. Offset calibration must be performed first.

Test Mode	S1 (A)	S2 (B)	S3 (Z)	S4 (SF0)	S5 (SF1)	S6 (ROT)
3	ZK  hi lo	EXKA 	SIN 	NSIN 	COS 	NCOS 
0	KA(0) 	KA(16) 	KA(X) 			
1	CLK 	UP  hi lo	DN  lo hi			
2	NENOS 	CLK 	DALL 			

APPLICATIONS INFORMATION

Principal Input Circuits

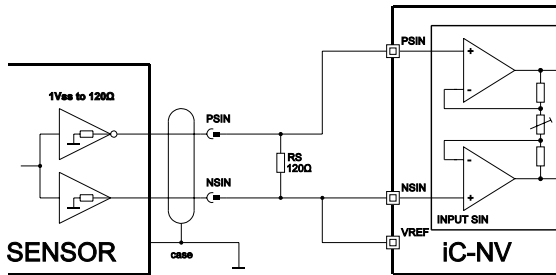


Fig. 14: Input circuit for voltage signals of 1Vpp with no ground reference. When grounds are not separated the connection NSIN to VREF must be omitted.

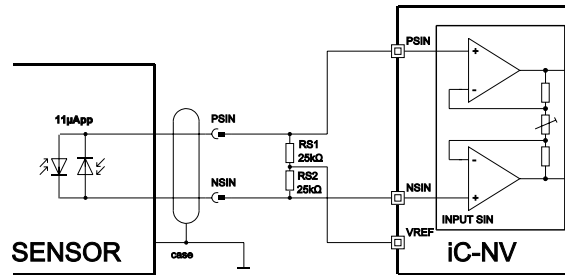


Fig. 15: Input circuit for current signals of 11μA. In this circuit offset adjustment is not possible.

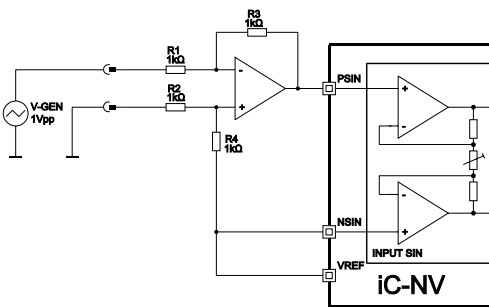


Fig. 16: Input circuit for single-side voltage or current source signals with ground reference (adaptation via resistors R3, R4).

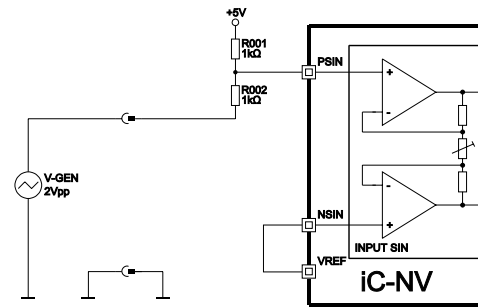


Fig. 17: Simplified input wiring for single-side voltage signals with ground reference.

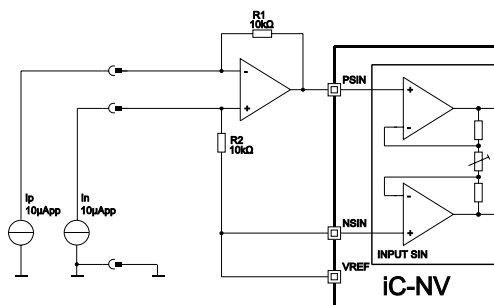


Fig. 18: Input circuit for differential current sink sensor outputs, eg. using Opto Encoder iC-WG.

Wiring photodiode arrays with common cathodes

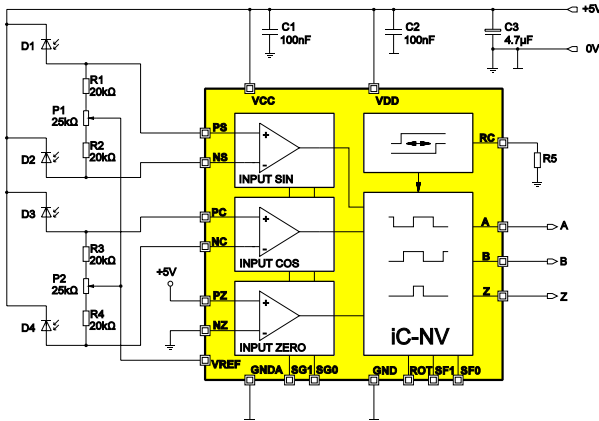


Fig. 19: Wiring scheme with offset adjustment possibility; the resistor values must be selected with respect to the photo currents available (eg. 65kΩ for max. 16μApk at GAIN= 3, or 1μA at GAIN= 50 respectively).

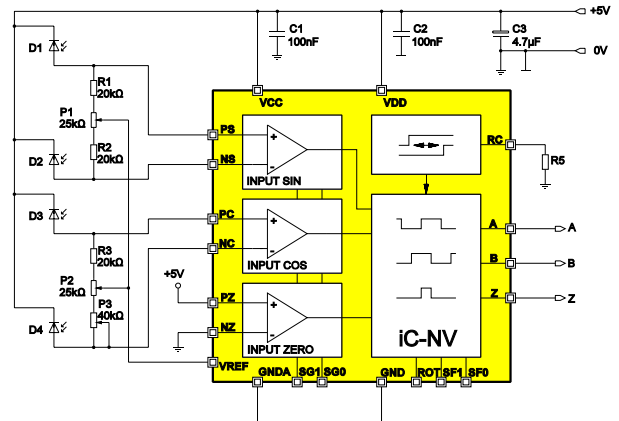


Fig. 20: Additional adjustment possibility for amplitude differences; settings at P3 must be done first.

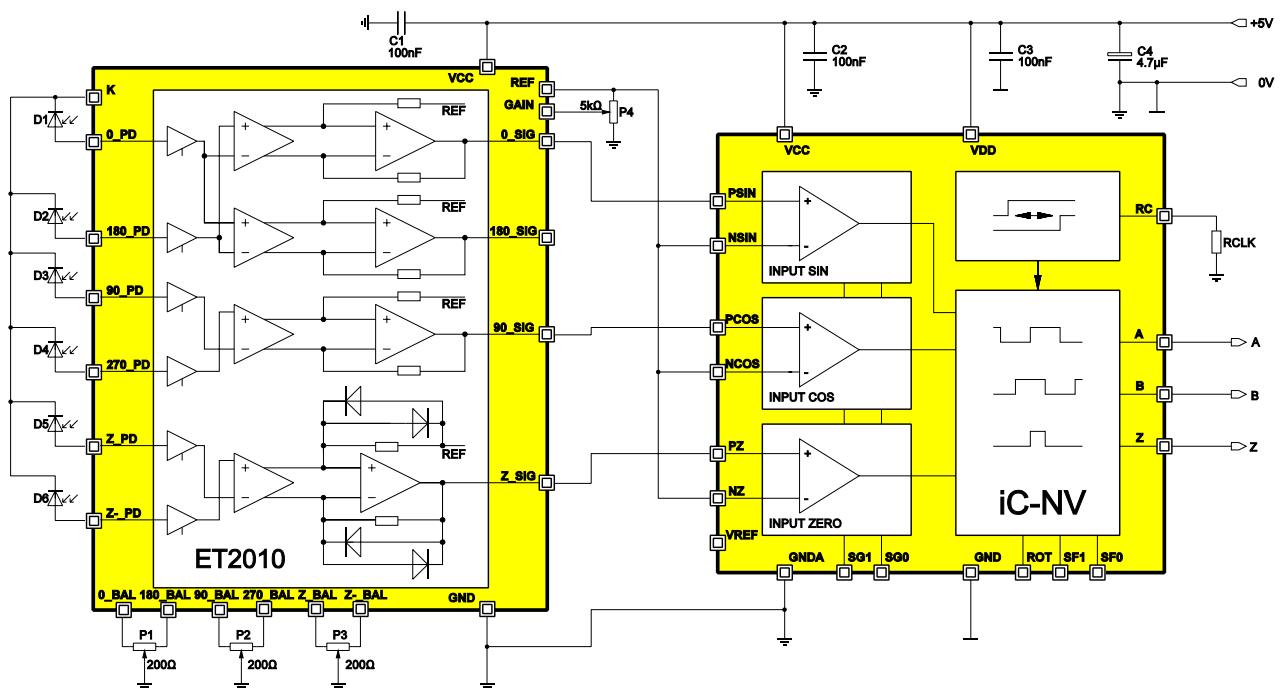


Fig. 21: Photodiode scanning circuit using ET2010 pre-amp and adjustment device.

Wiring photodiode arrays with common anodes

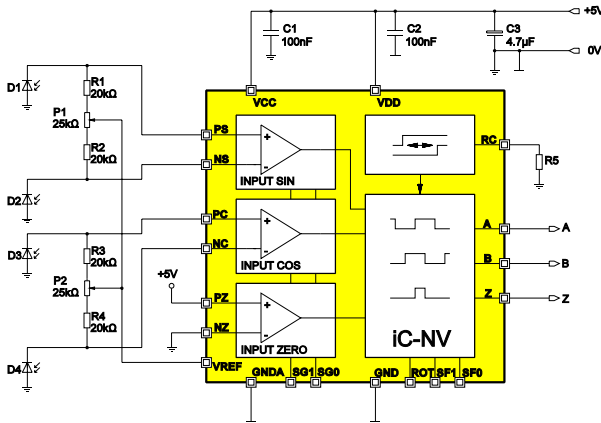


Fig. 22: Wiring scheme with offset adjustment possibility; the resistor values must be selected with respect to the photo currents available (eg. 65kΩ for max. 16μA pk at GAIN= 3, or 1μA at GAIN= 50 respectively).

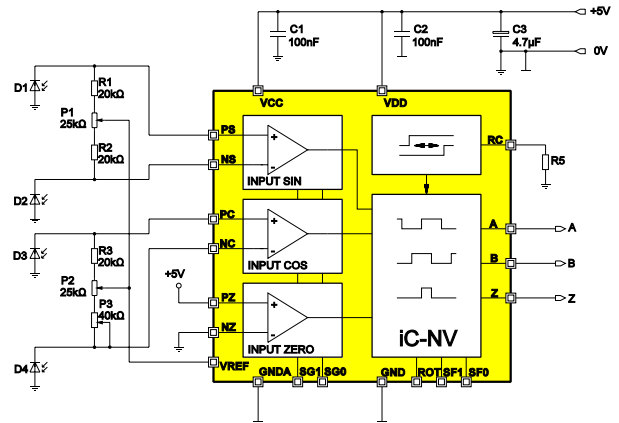


Fig. 23: Additional adjustment possibility for amplitude differences; settings at P3 must be done first.

Wiring magneto-resistor bridge sensors

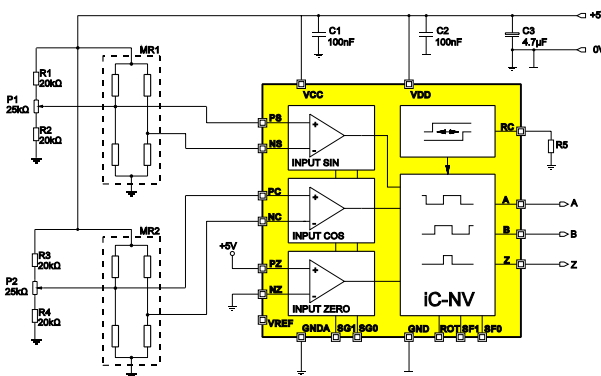


Fig. 24: Wiring MR sensor bridges with offset adjustment possibility; setup pins remaining open can be linked to VREF to enhance interference immunity.

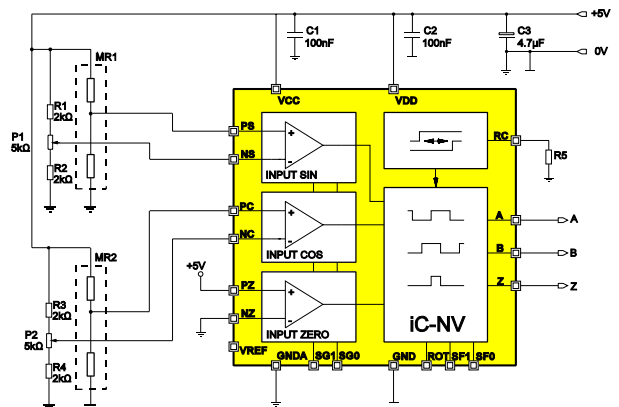


Fig. 25: Wiring MR half-bridge sensors with offset adjustment possibility.

iC-NV

6-BIT Sin/D FLASH CONVERTER

MR Sensor System Application Example

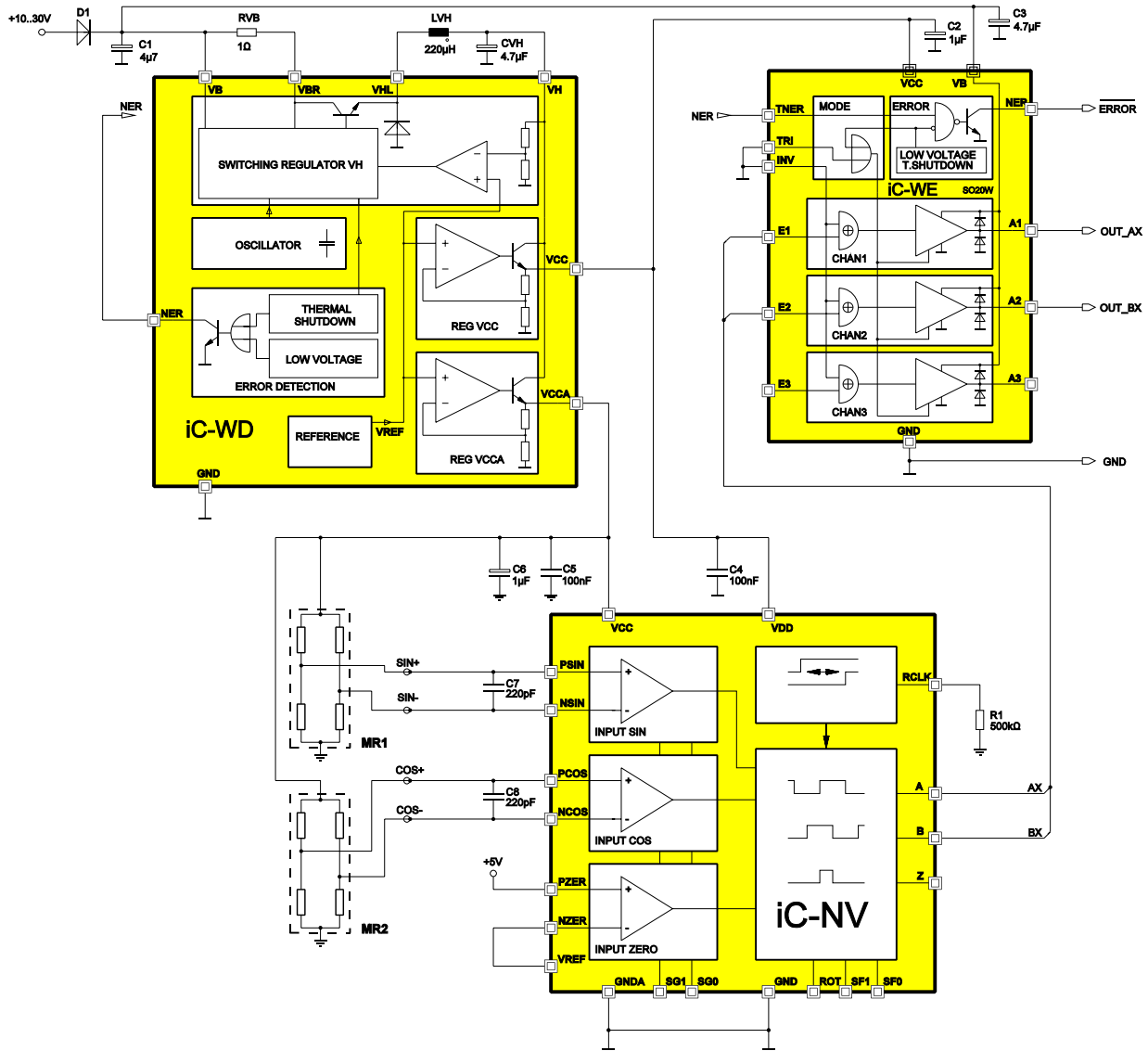


Fig. 26: Complete MR sensor system for 24V environment featuring low-noise switch-mode power supply linear regulator combo iC-WD and line driver iC-WE, enabling data transmission via 100m cable length. The maximum output frequency is limited to approx. 280kHz by R1= 500kΩ to comply with speed-limited external counters (pins SF1 and SF0 are open and select IPF= 5). C7/C8 can help to improve noise immunity additionally, for instance with motor applications.

iC-NV

6-BIT Sin/D FLASH CONVERTER



Rev C1, Page 17/19

DEMO BOARD

The iC-NV device is equipped with a Demo Board for test purposes. Figures 10 to 12 show the wiring as well as the top and bottom layout of the test PCB.

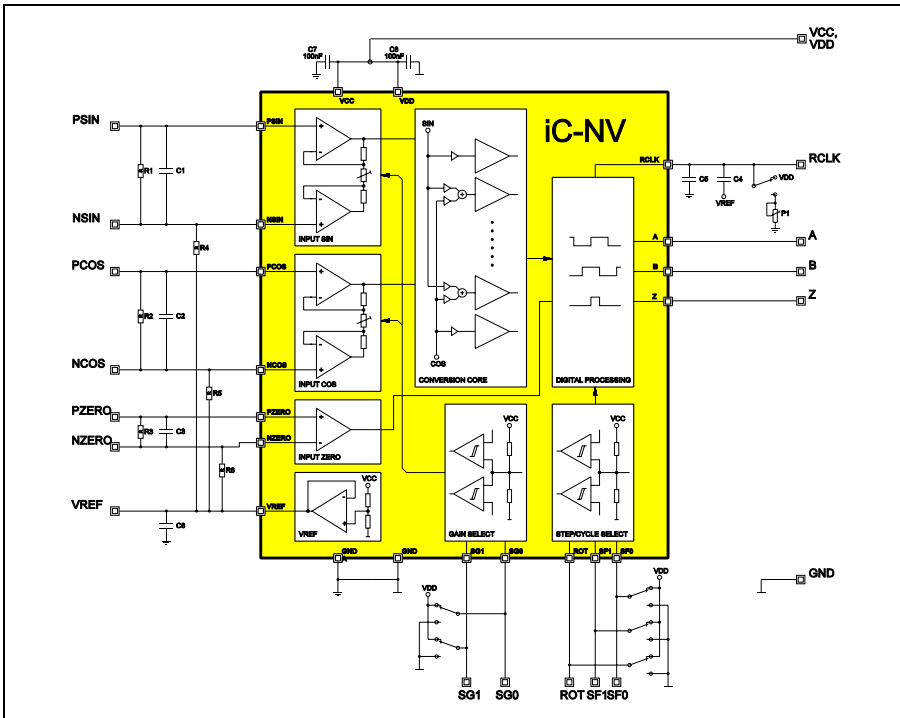


Fig. 27: Circuit diagram of the demo board (delivery comes without pot assembly; the corresponding switch must remain set to high).

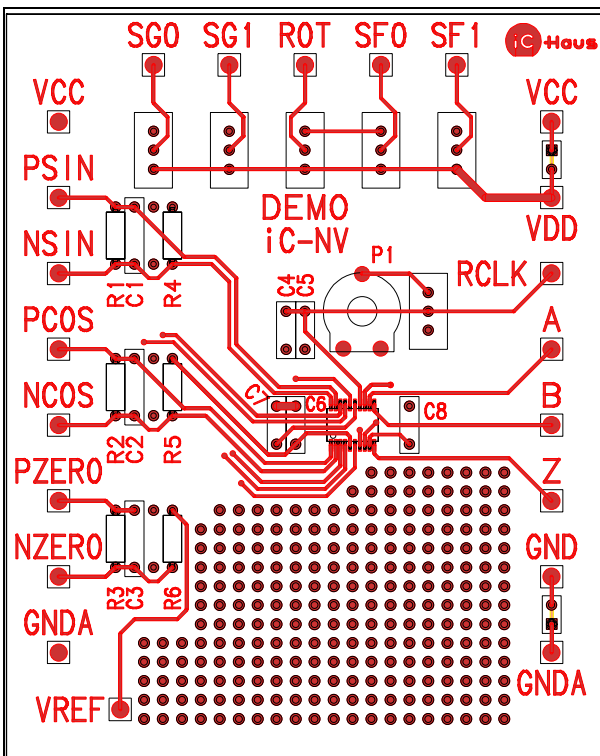


Fig. 28: Demo Board (components side)

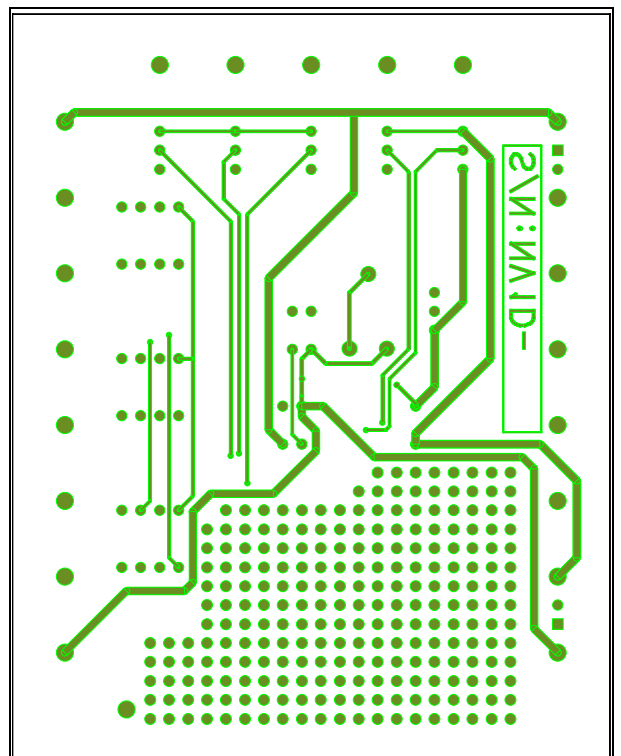


Fig. 29: Demo Board (bottom side)

iC-NV

6-BIT Sin/D FLASH CONVERTER



Rev C1, Page 18/19

This specification is for a newly developed product. iC-Haus therefore reserves the right to change or update, without notice, any information contained herein, design and specification; and to discontinue or limit production or distribution of any product versions. Please contact iC-Haus to ascertain the current data.

Copying – even as an excerpt – is only permitted with iC-Haus approval in writing and precise reference to source.

iC-Haus does not warrant the accuracy, completeness or timeliness of the specification on this site and does not assume liability for any errors or omissions in the materials. The data specified is intended solely for the purpose of product description. No representations or warranties, either express or implied, of merchantability, fitness for a particular purpose or of any other nature are made hereunder with respect to information/specification or the products to which information refers and no guarantee with respect to compliance to the intended use is given. In particular, this also applies to the stated possible applications or areas of applications of the product.

iC-Haus conveys no patent, copyright, mask work right or other trade mark right to this product. iC-Haus assumes no liability for any patent and/or other trade mark rights of a third party resulting from processing or handling of the product and/or any other use of the product.

As a general rule our developments, IPs, principle circuitry and range of Integrated Circuits are suitable and specifically designed for appropriate use in technical applications, such as in devices, systems and any kind of technical equipment, in so far as they do not infringe existing patent rights. In principle the range of use is limitless in a technical sense and refers to the products listed in the inventory of goods compiled for the 2007 export trade statistics issued by the Bureau of Statistics in Wiesbaden in December 2006, for example, or to any product in the product catalogue published for the 2007 exhibition in Hanover (Hannover-Messe).

We understand suitable application of our published designs to be state-of-the-art technology which can no longer be classed as inventive under the stipulations of patent law. Our explicit application notes are to be treated only as mere examples of the many possible and extremely advantageous uses our products can be put to.

ORDERING INFORMATION

Type	Package	Order designation
iC-NV	TSSOP20 4.4mm	iC-NV TSSOP20
Demo Board		EVAL NV1D

For technical support, information about prices and terms of delivery please contact:

iC-Haus GmbH
Am Kuemmerling 18
D-55294 Bodenheim
GERMANY

Tel +49-6135-9292-0
Fax +49-6135-9292-192
<http://www.ichaus.com>
E-mail sales@ichaus.com

Appointed local distributors: http://www.ichaus.de/support_distributors.php