

MATERIAL

Zinc-plated steel (class 5.8 - tensile strength 500 N/mm²). Ultrasonically checked.

PACKING RING

NBR synthetic rubber.

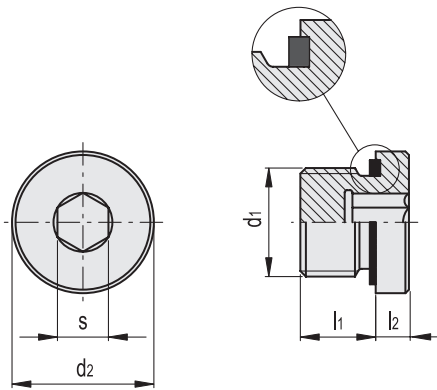
MAXIMUM CONTINUOUS WORKING TEMPERATURE

100°C.

SPECIAL EXECUTIONS ON REQUEST

- Plugs with metric threads.
- Packing ring in VITON[®] resistant to temperatures up to 200°C (GN 749-B).

* Registered trademark by DuPont Dow Elastomers.



Code	Description	d1	d2 h14	l1	l2	s	Tightening torque [Nm]	Max. pressure [bar]	⚖
GN.37901	GN 749-M8x1-A	M8x1	12	8	4	4	8	400	5
GN.37903	GN 749-M10x1-A	M10x1	14	8	4	5	12	400	5
GN.37905	GN 749-M12x1.5-A	M12x1.5	17	12	5	6	25	400	15
GN.37907	GN 749-M14x1.5-A	M14x1.5	19	12	5	6	30	400	20
GN.37909	GN 749-M16x1.5-A	M16x1.5	22	12	5	8	50	400	25
GN.37911	GN 749-M18x1.5-A	M18x1.5	24	12	5	8	60	400	30
GN.37913	GN 749-M20x1.5-A	M20x1.5	26	14	5	10	70	400	42
GN.37915	GN 749-M22x1.5-A	M22x1.5	27	14	5	10	80	400	50
GN.37917	GN 749-M24x1.5-A	M24x1.5	30	14	5	12	95	400	56
GN.37919	GN 749-M26x1.5-A	M26x1.5	32	16	5	12	120	400	75
GN.37921	GN 749-M27x2-A	M27x2	32	16	5	12	120	400	80
GN.37923	GN 749-M30x1.5-A	M30x1.5	37	16	6.5	17	190	400	103
GN.37925	GN 749-M33x2-A	M33x2	40	16	6.5	17	225	400	125
GN.37927	GN 749-M42x2-A	M42x2	50	16	6.5	22	360	315	201
GN.37929	GN 749-M48x2-A	M48x2	55	16	6.5	24	400	315	254
GN.37931	GN 749-G1/8-A	G 1/8	14	8	4	5	12	400	5
GN.37932	GN 749-G1/4-A	G 1/4	19	12	5	6	30	400	5
GN.37933	GN 749-G3/8-A	G 3/8	22	12	5	8	50	400	15
GN.37934	GN 749-G1/2-A	G 1/2	27	14	5	10	80	400	25
GN.37935	GN 749-G3/4-A	G 3/4	32	16	5	12	120	400	45
GN.37936	GN 749-G1-A	G 1	40	16	6.5	17	225	400	75
GN.37937	GN 749-G1¼-A	G 1 1/4	50	16	6.5	22	360	315	124
GN.37938	GN 749-G1½-A	G 1 1/2	55	16	6.5	24	400	315	195

