

- 1
- 2
- 3
- 4
- 5
- 6
- 7
- 8
- 9
- 10
- 11
- 13
- 14
- 15
- 16
- 17
- 18

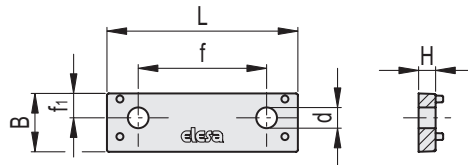
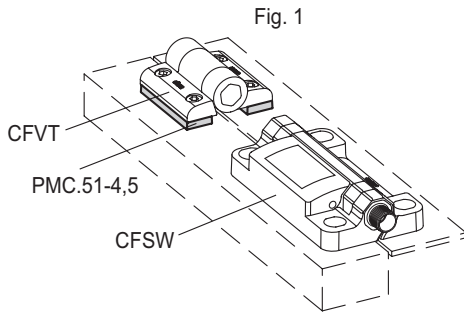
MATERIAL

Die cast zinc alloy, epoxy resin coating, black colour, matte finish.

FEATURES AND APPLICATIONS

The PMC plates allow different hinges to be fitted on the same door/jamb.

For example, it is possible to use a CFVT detent hinge with a CFSW hinge with built-in safety switch to create a door that remains open in certain positions and has a safety function in case of accidental opening (see Fig. 1).



Code	Description	L	B	d	f	f1	H	
51871	PMC.51-4,5	50.5	15.5	5.2	34	6.5	4.5	17
51876	PMC.53-2,5	52.5	21.5	6.5	34	9	2.5	14
51877	PMC.53-4,5	52.5	21.5	6.5	34	9	4.5	23
51881	PMC.67-2,5	67	12.5	6.2	48	4	2.5	11

ASSEMBLY INSTRUCTIONS

Fit the plate between the hinge and the door/jamb, pressing down so that the centring devices on the plate fit together with the hinge itself (see Fig. 2).

During assembly make sure that the hinges are positioned along the same axis.

To determine which plate and hinges to use, consult the "Table of possible combinations".

Check the correct functioning of the hinges for your intended use.

Fig. 2

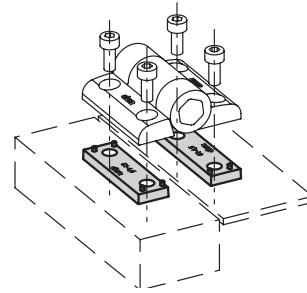


Table of the possible combinations

	CFMR Spring hinges + PMC.67-2.5		CFSW Hinges with built-in safety switch
	CFMR Spring hinges + PMC.67-2.5		CFMW Hinges
	CFVT Detent hinges + PMC.51-4.5		CFSW Hinges with built-in safety switch
	CFVT Detent hinges + PMC.51-4.5		CFMW Hinges
	CFSQ Hinges with built-in safety switch + PMC.53-4.5		CFMR Spring hinges
	CFMQ Hinges + PMC.53-4.5		CFMR Spring hinges
	CFSQ Hinges with built-in safety switch + PMC.53-2.5		CFVT Detent hinges
	CFMQ Hinges + PMC.53-2.5		CFVT Detent hinges
	CFMR Spring hinges + PMC.67-2.5		CFVT Detent hinges + PMC.51-4.5

- 1 
- 2 
- 3 
- 4 
- 5 
- 6 
- 7 
- 8 
- 9 
- 10 
- 11 
- 12 
- 13 
- 14 
- 15 
- 16 
- 17 
- 18 