

## **NYS Product Range / Jacks**

### TECHNICAL DATA

#### Electrical

Rated Current: Depends on mating connector

Contact Resistance: Depends on mating connector

Insulation Resistance: > 1 G Ohm

Dielectric strength: 500 dc

#### Mechanical

Life Cycles: 5000

Cable OD: 4-9 mm

Solderability: IEC68-2-20

Operating Temperature: -25° C to +70° C

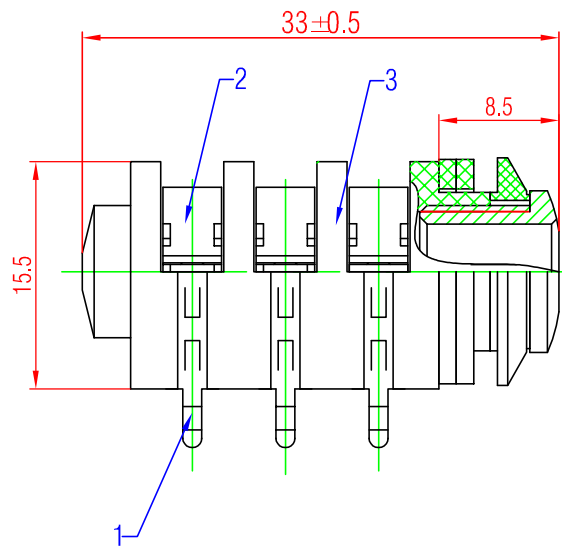
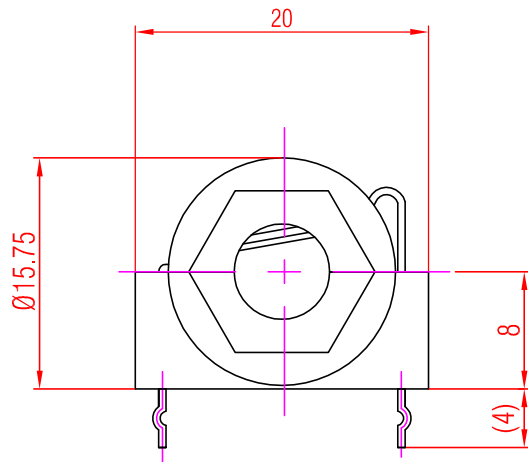
#### Material

Housing/Handle: Brass Ni/Au/black plated or Zinc Diecast

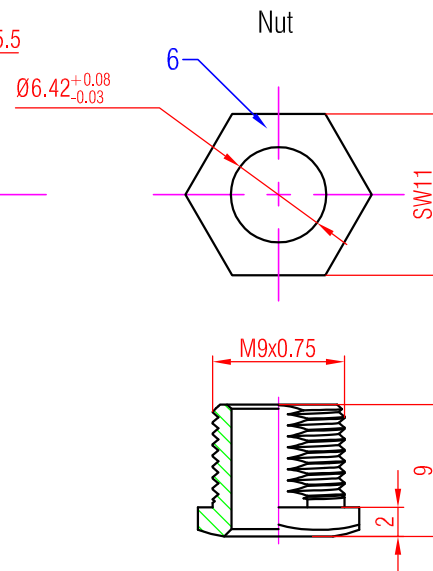
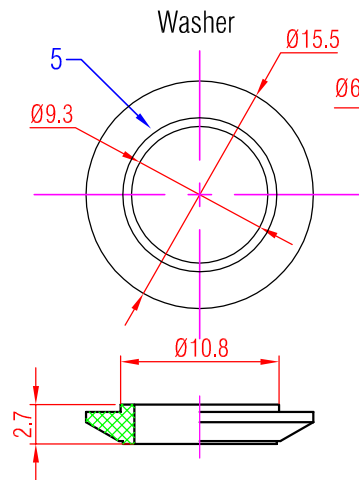
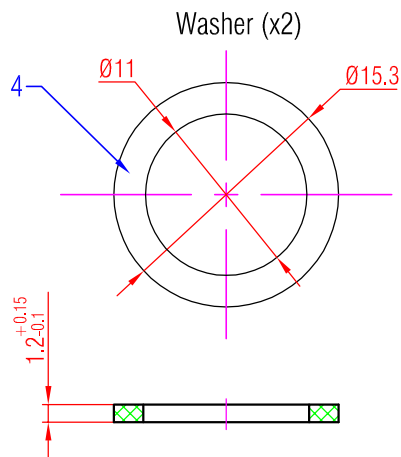
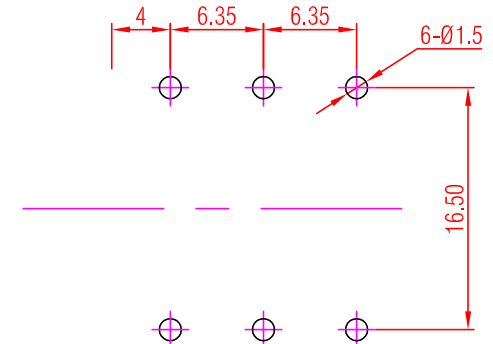
Insulation: Thermoplastic

Contacts: Brass Ni/Au plated

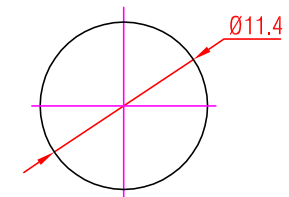
Strain Relief: CRIMP type SnCe plated



PCB Layout (Component Side)



Panel Cut Out (Rear Side)



Note:  
 1. All dimensions in mm.  
 2. Tolerances not specified is  $\pm 0.10$ mm.  
 3. Radius not specified is  $R=0.20$ mm.

6	Nut	Zinc, Nickel Plated
5	Washer	PA6 + 30% GF (Black)
4	Washer	Epoxy Glass Fiber
3	Housing	PA6 + 30% GF (Black)
2	Switched Contact	Phosphor Bronze, Tin-Cer Plated
1	Normalizing Contact	Brass, Tin-Cer Plated
No.	Part Name	Material

				THIS DOCUMENT IS THE PROPERTY OF NEUTRIK. NO PART THEREOF MAY BE REPRODUCED AND USED WITHOUT THE PRIOR WRITTEN CONSENT OF THE OWNER		Material:		Scale:		Date:		Name:	
								2 : 1		2015.06.01		James	
										2015.06.01		Abraham	
										Approved:			
										Replaced By:		1	
										Replaces:		1	
										Drawing No.:			
Rev.	Revision Details	Date	Name	Title: 1/4" Phone Stereo Jacks NYS215				REAN					