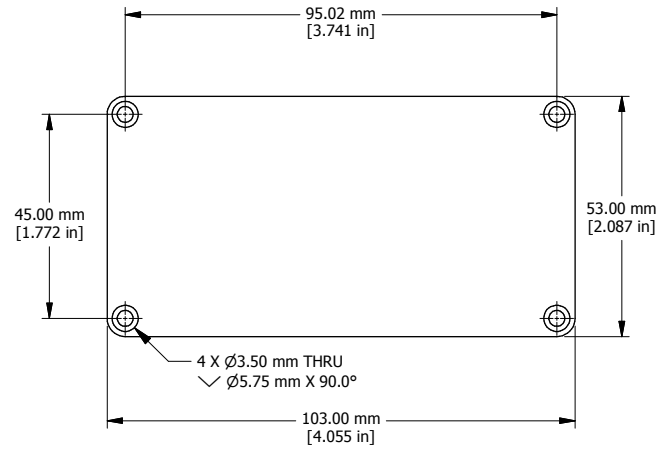
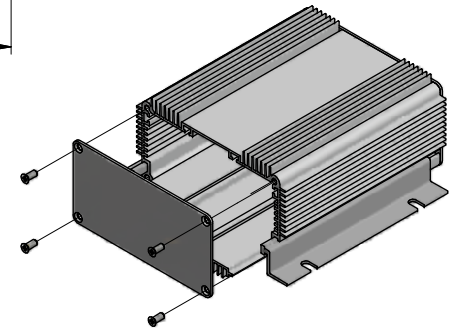
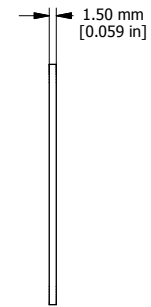


EXTRUSION

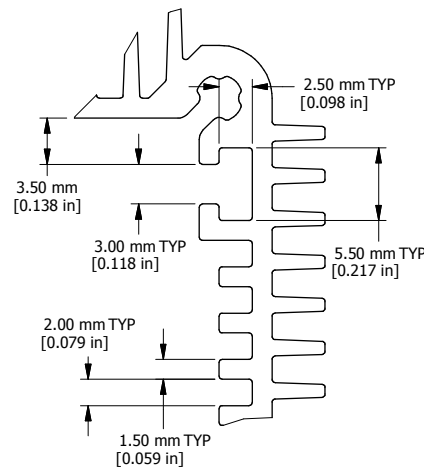
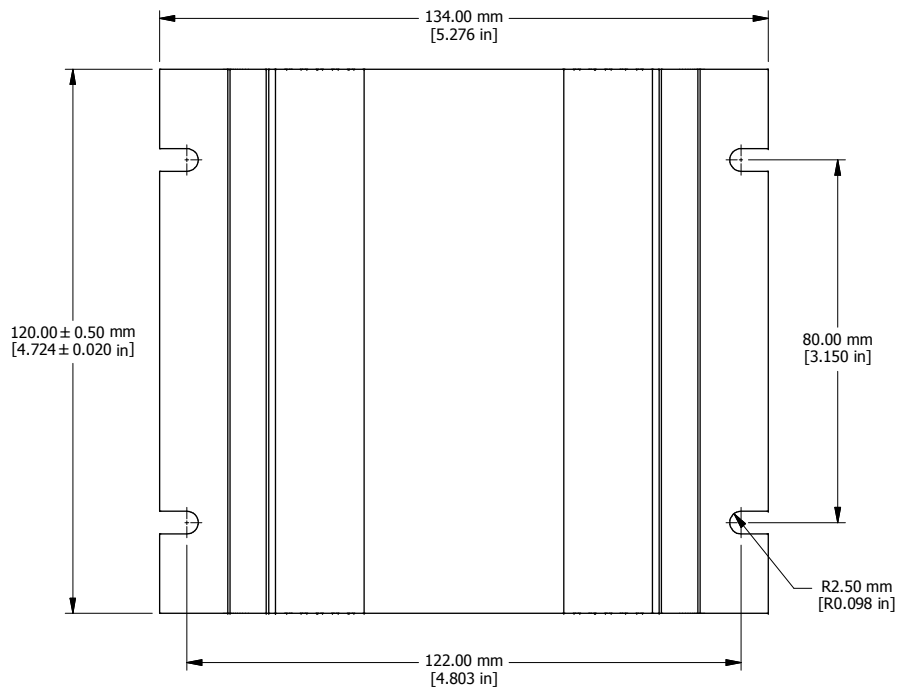


END PLATE



EXPLODED ISOMETRIC VIEW

EXTRUSION DESIGNED FOR
100MM WIDE PC BOARD



DETAIL A

Enclosures can be Factory Modified (Milling, Drilling, Printing etc.)
Solid models of this enclosure available in STEP or IGES.
Contact Factory mjm@hammondmfg.com

NOTE
Purchased assembly includes box, aluminum end panels, #6
Taptight screws and mounting flanges.
Box made from Extruded Aluminum 6063.

1455NHD1201	
PART NUMBERS	
Clear Anodized	1455NHD1201
Black Anodized	1455NHD1201BK
ACCESSORIES	
See website for accessories.	

**HAMMOND
MANUFACTURING™**
1455NHD1201
www.hammondmfg.com