



## SWD encoder, front element, Flat Front



Part no. **M30C-FINC-SWD**  
 Catalog No. **187079**  
 Eaton Catalog No. **M30C-FINC-SWD**



Powering Business Worldwide™



### Delivery program

RMQ design			flat front
			
Part group reference (e.g. DIL)			M30
Mounting hole diameter		mm	30.5
Subrange			SmartWire-DT RMQ connections
Basic function			Encoder
Single unit/Complete unit			Single unit
Description			Front element SmartWire-DT encoder With actuation function Only in conjunction with M22-SWD-INC function element
Function			For connecting to SmartWire-DT
Degree of Protection			IP65
Front ring			Metal bezel
Connection to SmartWire-DT			yes

### Technical data

#### General

Standards			IEC/EN 60947
Climatic proofing			Damp heat, constant, to IEC 60068-2-78 Damp heat, cyclic, to IEC 60068-2-30
Degree of Protection			IP65
Ambient temperature			
Open		°C	-30 - +70
Storage		°C	- 40 - + 70
Mounting position			As required

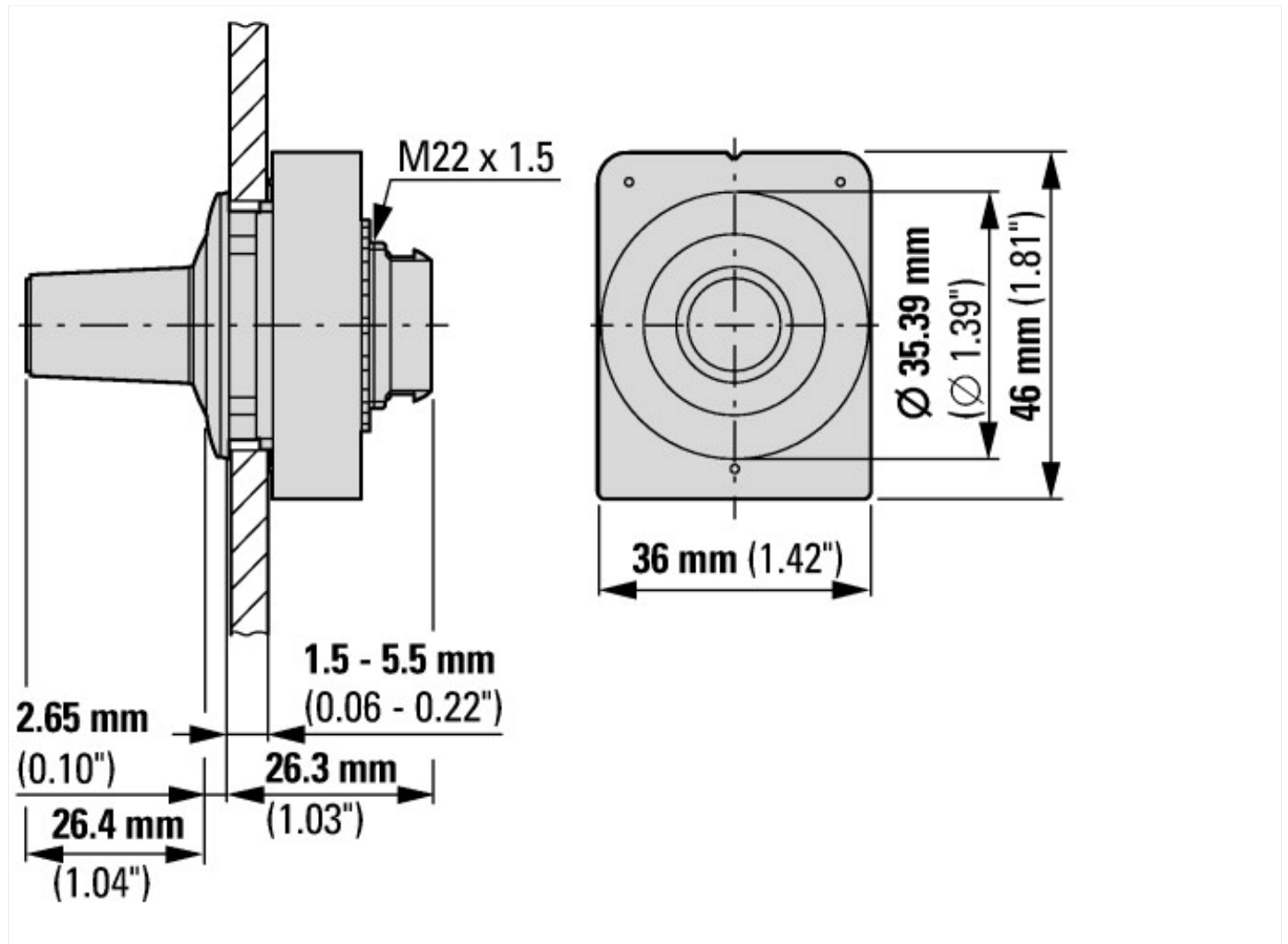
### Design verification as per IEC/EN 61439

Technical data for design verification			
Operating ambient temperature max.		°C	-30
Operating ambient temperature max.		°C	70

### Technical data ETIM 6.0

Low-voltage industrial components (EG000017) / Accessories for low-voltage switch technology (EC002498)			
Electric engineering, automation, process control engineering / Low-voltage switch technology / Low-voltage switch technology (accessories) / Component for low-voltage switch technology (accessories) (ecI@ss8.1-27-37-92-01 [AKN570010])			
Type of accessory			-

## Dimensions



## Additional product information (links)

IL047019ZU Flat Front

IL047019ZU Flat Front

[ftp://ftp.moeller.net/DOCUMENTATION/AWA\\_INSTRUCTIONS/IL047019ZU2017\\_02.pdf](ftp://ftp.moeller.net/DOCUMENTATION/AWA_INSTRUCTIONS/IL047019ZU2017_02.pdf)