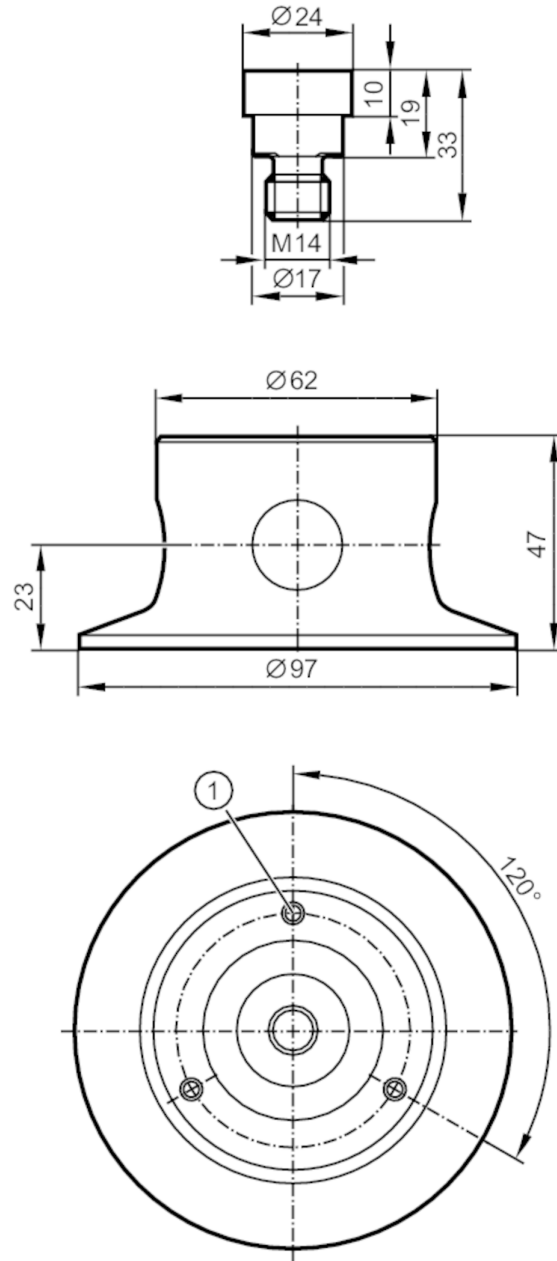


E12478



Mounting adapter for position sensors used on rising stem valves

VALVIS ADAPTER 20



Application	
Design	for GEA single seat valves
Mechanical data	
Weight [g]	210.5
Materials	Adapter: PA 6; Target: stainless steel (1.4404 / 316L)
Remarks	
Pack quantity	1 pcs.