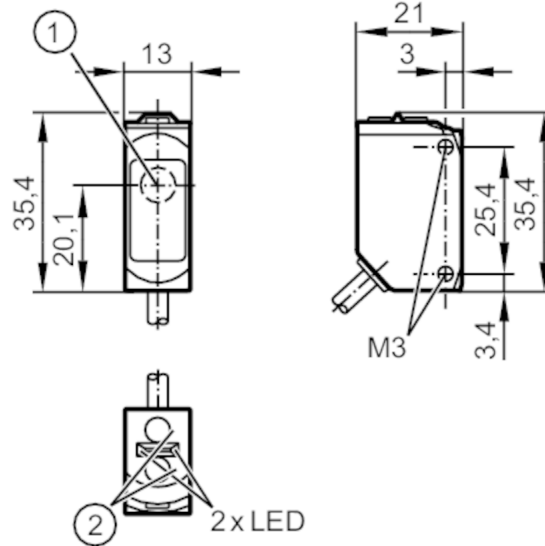




Through-beam sensor receiver

O6ELFNKG



- 1 Light incidence
2 programming buttons



Product characteristics

| | |
|-------------------------|----------------|
| Type of light | red light |
| Communication interface | IO-Link |
| Laser protection class | 1 |
| Housing | rectangular |
| Dimensions [mm] | 35.4 x 13 x 21 |

Application

| | |
|--------------------|---------------------|
| Function principle | Through-beam sensor |
|--------------------|---------------------|

Electrical data

| | |
|-----------------------------|------------|
| Operating voltage [V] | 10...30 DC |
| Current consumption [mA] | 13; (24 V) |
| Protection class | III |
| Reverse polarity protection | yes |
| Type of light | red light |
| Wave length [nm] | 650 |

Outputs

| | |
|--|-------------------------------------|
| Electrical design | NPN |
| Output function | light-on/dark-on mode; (selectable) |
| Max. voltage drop switching output DC [V] | 2.5 |
| Permanent current rating of switching output DC [mA] | 100 |
| Switching frequency DC [Hz] | 1000 |
| Type of short-circuit protection | pulsed |

O6E703



Through-beam sensor receiver

O6ELFNKG

| Detection zone | | |
|--|------------------|---|
| Transmitter / receiver | | receiver |
| Range | [m] | 15 |
| Diameter of the smallest detectable object | [mm] | 7; (15 m) |
| Interfaces | | |
| Communication interface | | IO-Link |
| Transmission type | | COM2 (38,4 kBaud) |
| IO-Link revision | | 1.1 |
| SDCI standard | | IEC 61131-9 |
| IO-Link device ID | | 524d / 00020C h |
| Profiles | | Smart Sensor: Device Identification; Device Diagnosis; Teach Channel; Switching Channel |
| SIO mode | | yes |
| Required master port type | | A |
| Operating conditions | | |
| Ambient temperature | [°C] | -10...60 |
| Protection | | IP 65; IP 67 |
| Tests / approvals | | |
| EMC | | EN 60947-5-2 |
| Laser protection class | | 1 |
| Notes on laser protection | Caution: | laser light |
| | laser class: | 1 |
| | | EN / IEC60825-1:2007 |
| | | EN / IEC60825-1:2014 |
| | | Complies with 21 CFR 1040 except for deviations pursuant to Laser Notice No. 50, dated June 2007. |
| MTTF | [years] | 1168 |
| Mechanical data | | |
| Weight | [g] | 60.1 |
| Housing | | rectangular |
| Dimensions | [mm] | 35.4 x 13 x 21 |
| Materials | | housing: ABS; PPSU; Sealing: EPDM |
| Lens material | | PMMA |
| Lens alignment | | side lens |
| Tightening torque | [Nm] | 0.5; (screws) |
| Displays / operating elements | | |
| Display | switching status | 1 x LED, yellow |
| | operation | 1 x LED, green |
| Remarks | | |
| Remarks | | operating voltage "supply class 2" according to cULus |
| Pack quantity | | 1 pcs. |

O6E703



Through-beam sensor receiver

O6ELFNKG

Electrical connection

Cable: 2 m, PUR, black, \varnothing 3.7 mm; 3 x 0.25 mm²

Connection



BK OUT / IO-Link

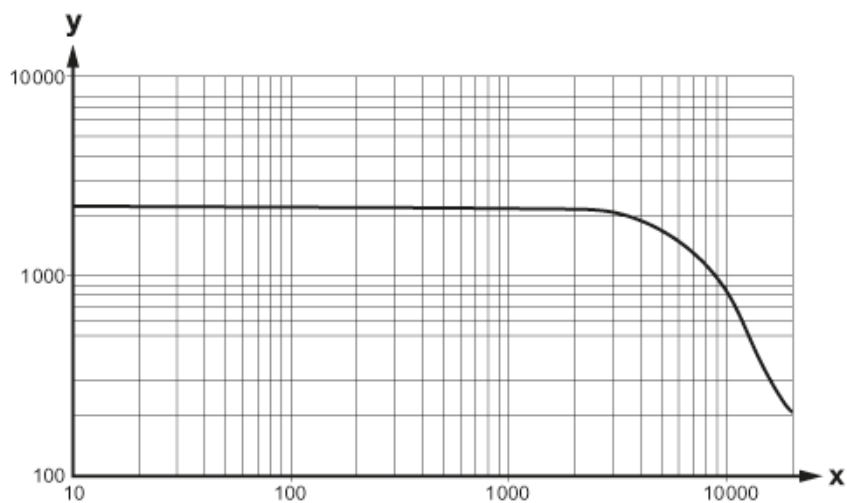
Core colours :

BN = brown

BK = black

BU = blue

Diagrams and graphs



x: Abstand [mm]

y: Funktionsreservfaktor