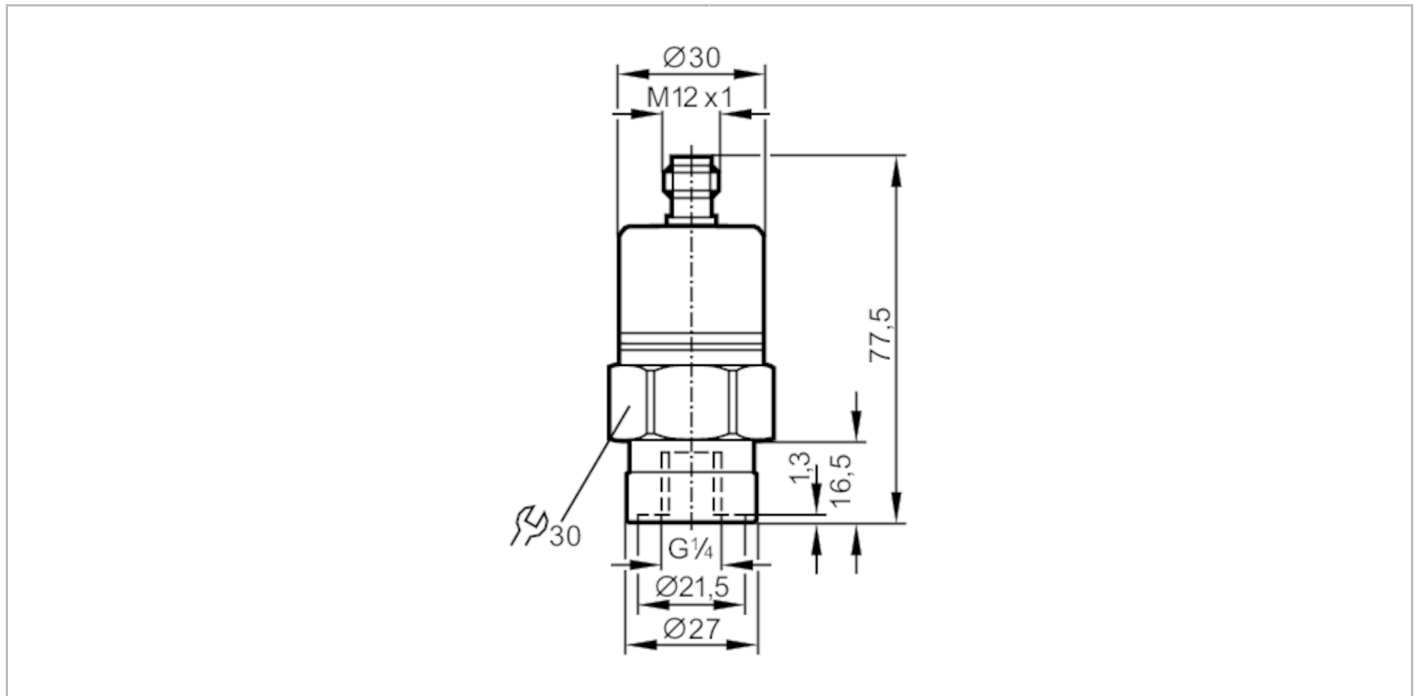


PX9020



Pressure transmitter with ceramic measuring cell

PA-400-SBR14-B-DVG/US/ IV



Product characteristics	
Output signal	analogue signal
Measuring range [bar]	0...400
Process connection	threaded connection G 1/4 internal thread
Application	
Special feature	Gold-plated contacts
Application	for industrial applications
Media	liquids and gases
Conditionally suitable for	For gaseous media the application is limited to max. 25 bar.
Medium temperature [°C]	-25...90; (on request: -40...90 °C)
Pressure rating [bar]	600
Min. bursting pressure [bar]	1000
Type of pressure	relative pressure
Electrical data	
Operating voltage [V]	10...30 DC
Current consumption [mA]	< 18
Min. insulation resistance [MΩ]	100; (500 V DC)
Protection class	III
Reverse polarity protection	yes
Inputs / outputs	
Number of inputs and outputs	Number of analogue outputs: 1

PX9020



Pressure transmitter with ceramic measuring cell

PA-400-SBR14-B-DVG/US/ IV

Outputs		
Total number of outputs	1	
Output signal	analogue signal	
Number of analogue outputs	1	
Analogue voltage output [V]	0.5...4.5	
Min. load resistance [Ω]	2000	
Overload protection	yes	
Measuring/setting range		
Measuring range [bar]	0...400	
Accuracy / deviations		
Repeatability [% of the span]	< 0,1; (with temperature fluctuations < 10 K)	
Characteristics deviation [% of the span]	< \pm 0,25 (BFSL) / < \pm 0,5 (LS); (BFSL = Best Fit Straight Line; LS = limit value setting)	
Long-term stability [% of the span]	< \pm 0,05; (per 6 months)	
Temperature coefficient zero point [% of the span / 10 K]	0,4; (0...80 °C)	
Temperature coefficient span [% of the span / 10 K]	0,4; (0...80 °C)	
Response times		
Step response time analogue output [ms]	3	
Operating conditions		
Ambient temperature [°C]	-25...80	
Storage temperature [°C]	-40...100	
Protection	IP 68; IP 69K	
Tests / approvals		
EMC	EN 61000-4-2 ESD	4 kV CD / 8 kV AD
	EN 61000-4-3 HF radiated	30 V/m
	EN 61000-4-4 Burst	2 kV
	EN 61000-4-6 HF conducted	10 V
Shock resistance	DIN IEC 68-2-27	50 g (11 ms)
Vibration resistance	DIN IEC 68-2-6	20 g (10...2000 Hz)
MTTF [years]	550	
Pressure Equipment Directive	Sound engineering practice; can be used for group 2 fluids; group 1 fluids on request	
Mechanical data		
Weight [g]	221.5	
Materials	stainless steel (1.4404 / 316L); FKM; PA; EPDM/X	
Materials (wetted parts)	stainless steel (1.4305 / 303); ceramics; FKM	
Min. pressure cycles	100 million	
Process connection	threaded connection G 1/4 internal thread	
Restrictor element integrated	yes	
Remarks		
Pack quantity	1 pcs.	

PX9020



Pressure transmitter with ceramic measuring cell

PA-400-SBR14-B-DVG/US/ IV

Electrical connection

Connector: 1 x M12; Contacts: gold-plated



Connection

