

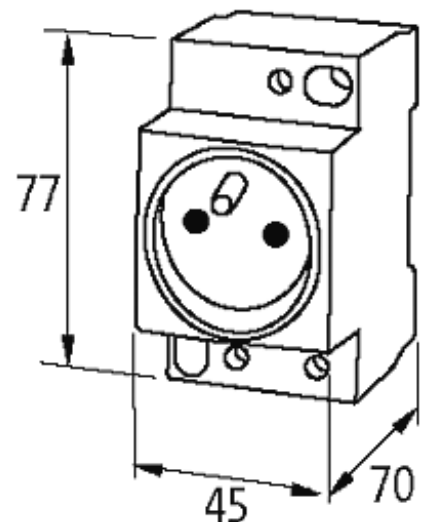
MSVD POWER SOCKET UTE WITH LED

Mounting rail

France (UTE-NF) white

Screw terminals

LED (yellow)

[Link to Product](#)**Illustration**

Product may differ from Image

Approvals

UTE

VDE

Technical Data

The information in this brochure has been compiled with the utmost care.

Liability for the correctness completeness and topicality of the information is restricted to gross negligence. Version: 05/15

Murrelektronik GmbH | Falkenstraße 3, 71570 Oppenweiler | Fon +49 (71 91) 47-0, Fax +49 (71 91) 47-491000 | shop@murrelektronik.de | shop.murrelektronik.de

Operating voltage	max. 250 V AC
-------------------	---------------

Operating current	max. 16 A
-------------------	-----------

General data

Mounting method	DIN-rail mountable (EN 60715)
-----------------	-------------------------------

Connection	Screw terminals: max. 2 × 6 mm ²
------------	---

Dimensions H × W × D	77×45×70 mm
----------------------	-------------

Commercial data

country of origin	BE
-------------------	----

customs tariff number	85369010
-----------------------	----------

minimum order quantity	1
------------------------	---
