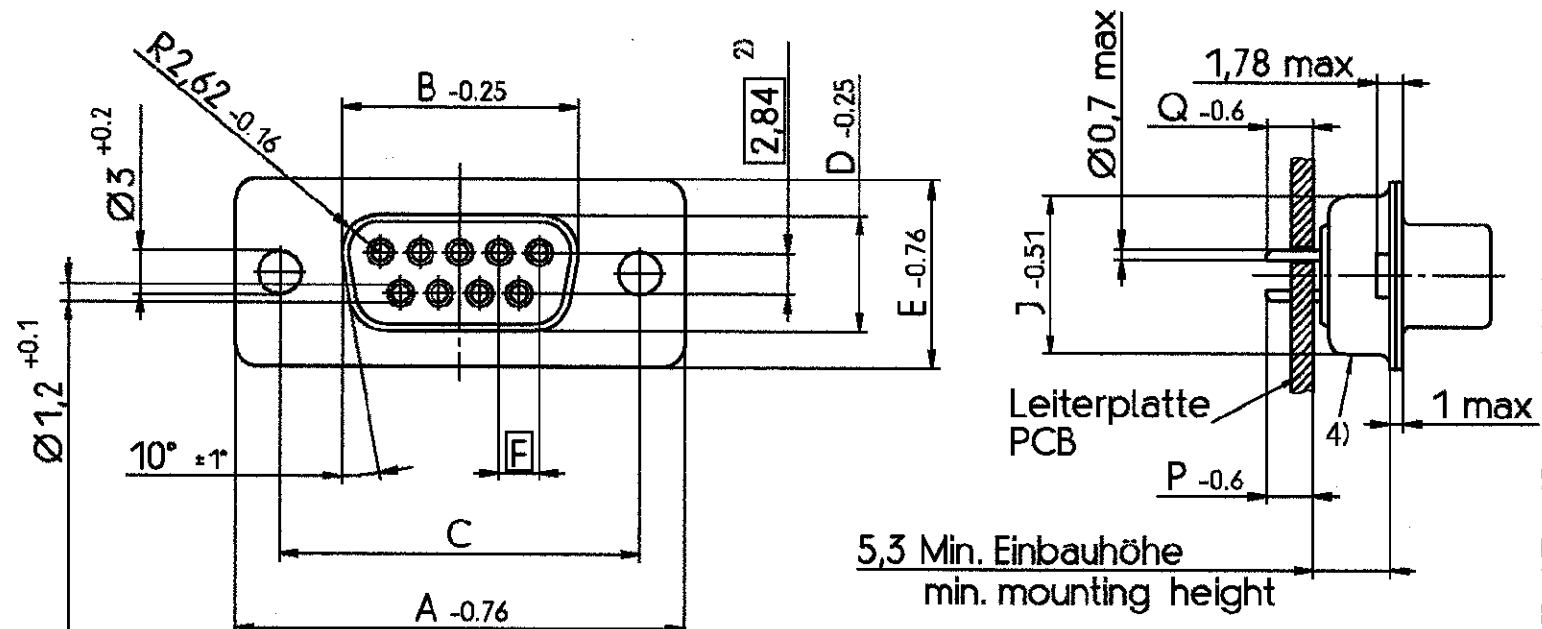


THIS INFORMATION IS CONFIDENTIAL AND PROPRIETARY TO TYCO ELECTRONICS CORPORATION AND ITS WORLDWIDE SUBSIDIARIES AND AFFILIATES. IT MAY NOT BE DISCLOSED TO ANYONE, OTHER THAN TYCO ELECTRONICS PERSONNEL, WITHOUT WRITTEN AUTHORIZATION FROM TYCO ELECTRONICS CORPORATION, HARRISBURG PENNSYLVANIA USA

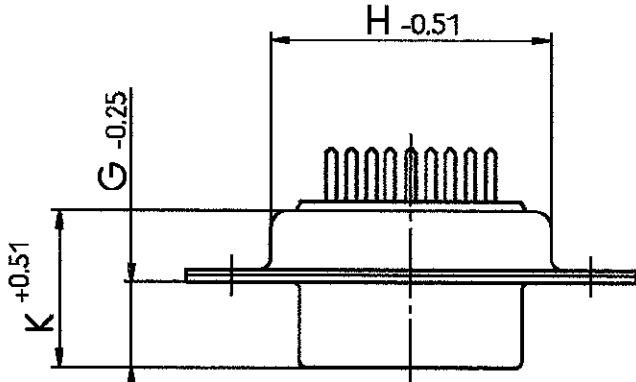
Standardausführung: V42254-A2115-B*** V42254-A2415-B*** 3)
 standard type: V42254-A2117-B*** V42254-A2417-B*** 3)
 V42254-A2315-B*** V42254-A2515-B*** 3)
 V42254-A2317-B*** V42254-A2517-B*** 3)

- 1) nach DIN 41652 T.2 und T.4
 - 2) Bemerkung: 50-polig: dreireihig
 - 3) nicht für 50-polig
 - 4) keine TE-Beschriftung bei:
 V42254-A2*17-B*** V42254-A2132-B*** V42254-A2152-B***
 V42254-A2*18-B*** V42254-A2133-B*** V42254-A2153-B***
 V42254-A2122-B*** V42254-A2142-B***
 - 5) Rille zur optischen Erkennung der Bolzentypen mit M3-Gewinde
 - 6) Blechteile örtlich herunter gedrückt
 - 7) Nur bei Ausführung mit Lötstiehlänge P = 3,2mm
 - 8) Sicke nur bei den 4 äußeren Masselötstielen.
-
- 1) according to DIN 41652 p.2 and p.4
 - 2) note: 50-contact version: 3 contact rows
 - 3) not for 50-contact version
 - 4) no TE-marking for:
 V42254-A2*17-B*** V42254-A2132-B*** V42254-A2152-B***
 V42254-A2*18-B*** V42254-A2133-B*** V42254-A2153-B***
 V42254-A2122-B*** V42254-A2142-B***
 - 5) groove in the stud bolts with M3 thread (visual recognition)
 - 6) shells pressed down locally
 - 7) only for versions with soldering-pin length of P = 3,2mm
 - 8) only the four corner grounding soldering-pins have a rib



- 9 OBSOLETE PARTS: OBSOLETE CIS STREAMLINING PER D.RENAUD/D.SINISI
- 10 OBSOLETE

alle Kontakte
 all contacts



Ordering code Sachnr. V42254-A2*1*-	dimension Maß Polzahl No. of contacts	A	B	C	D	E	F	G	H	J	K
B*09	09	31.19	16.46	25.0 ± 0.12 -0.13	8.02	12.93	2.74	6.3	19.53	10.97	10.64
B*15	15	39.52	24.79	33.3 ± 0.15 -0.1	8.02	12.93	2.74	6.3	27.76	10.97	10.64
B*25	25	53.42	38.5	47.04 ± 0.13 -0.13	8.02	12.93	2.76	6.3	41.53	10.97	10.64
B*37	37	69.7	54.96	63.5 ± 0.13 -0.13	8.02	12.93	2.76	6.3	57.96	10.97	10.64
B*50	50 ²⁾	67.31	52.55	61.1 ± 0.14 -0.11	10.87	15.75	2.76	6.3	55.58	13.82	10.64

V42254-	P	Q
A211*-+***	3.2	3.2
A231*-+***	5.55	5.55
A241*-+*** ³⁾	1.55	1.55
A251*-+*** ³⁾	13.65	14.05

Anforderungsstufe,
 performance level¹⁾

dargestellt wird die 9-polige Ausführung
 drawn is the 9-contacts version

TE Connectivity

SCALE 2:1

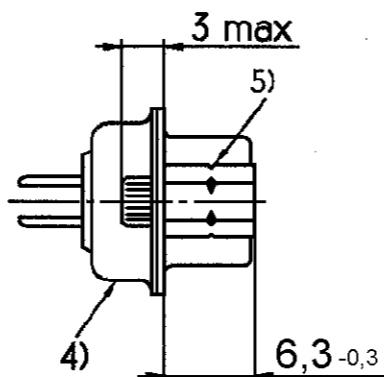
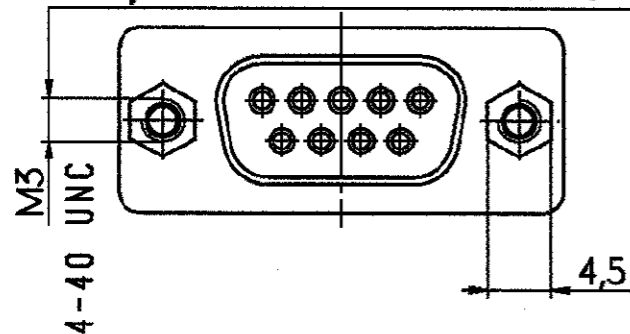
WEIGHT

DIMENSIONS IN MM				MATERIAL	
LOC GW				PART NAME	
DATE 01.03.90				Sub-D Loetstiften gerade Buchsenleiste D-Sub straight soldering pins female connector	
NAME Embo					
DEP. PE Com PE&SE					
D2 ECR-10-026542 03FEB11 HMR				PART NO.	
D1 ECR-10-019447 23DEC10 KMA				V42254-A2***-B***-*-27	
D ECR-10-017690 31AUG10 KMA				SHT. 1+	
C1 ECO-09-026495 28DEC09 AEG				OF 8	
C ECR-06-029564 18 DEC 06 JvdH					
REV. CHANGE ORDER DATE APP.				Customer Drawing Nr. C-7-1393483-1	

mit Gewindebolzen:
with screwlock stud bolts:

M3: 4-40 UNC:
 V42254-A2119-B*** V42254-A2116-B***
 V42254-A2319-B*** V42254-A2316-B***
 V42254-A2419-B*** 3) V42254-A2416-B*** 3)
 V42254-A2519-B*** 3) V42254-A2516-B*** 3)
 V42254-A2118-B***
 V42254-A2318-B***
 V42254-A2418-B*** 3)
 V42254-A2518-B*** 3)

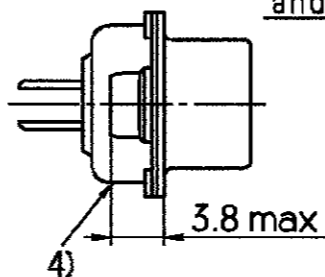
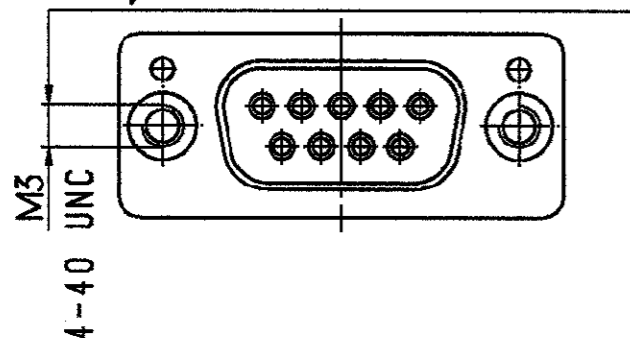
Verdrehsicherheit ≥ 70 Ncm
torque retention ≥ 70 Ncm



mit Stop-Mutter / Gewindeeinsatz:
with thread:

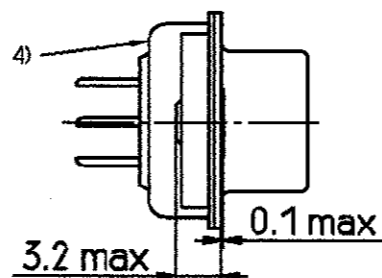
M3: 4-40 UNC:
 V42254-A2114-B*** 3) V42254-A2112-B*** 3)
 V42254-A2314-B*** 3) V42254-A2312-B*** 3)
 V42254-A2414-B*** V42254-A2412-B***
 V42254-A2514-B*** V42254-A2512-B***

Verdrehsicherheit ≥ 130 Ncm
torque retention ≥ 130 Ncm



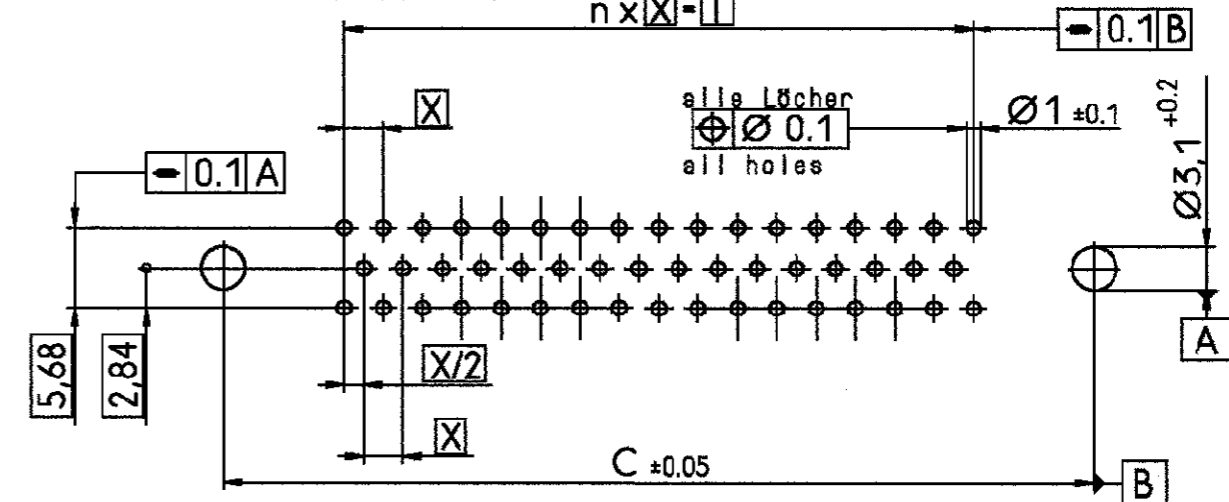
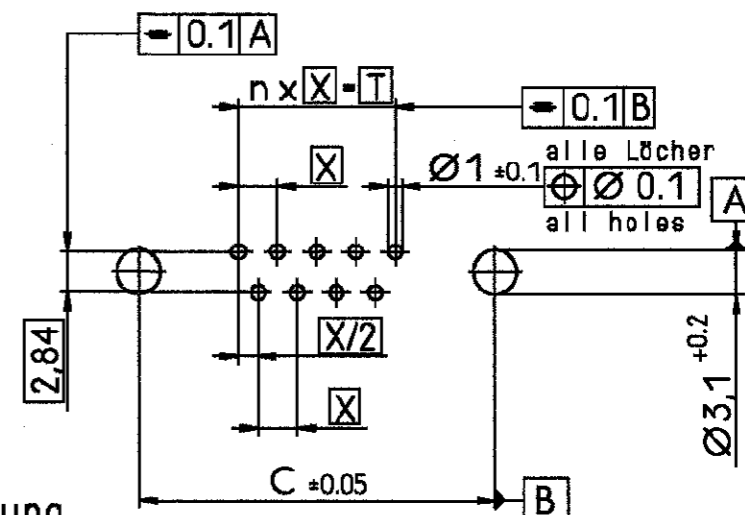
mit Stop-Mutter (für 9-, 15-, 25- u. 37-pol Ausführung):
with self locking press-in nuts (for 9-, 15-, 25- and 37-contacts versions):

mit Gewindeeinsatz (nur für 50-pol. Ausführung):
with thread insert (only for 50-contacts version):



Leiterplattenbohrung
PCB layout

für 50-polige Ausführung
for 50-contacts version



Polzahl No. of contacts	n	Abmessungen in mm dimensions in mm		
		C	T	X
9	4	25.0	10.96	2.74
15	7	33.3	19.18	2.74
25	12	47.04	33.12	2.76
37	18	63.5	49.68	2.76
50	16	61.1	44.16	2.76

Erläuterungen: Seite 1
dargestellt wird die 9-polige Ausführung
remarks: see page 1
drawn is the 9-contacts version

TE TE Connectivity

SCALE 2:1 WEIGHT

MATERIAL

LOC GW DIMENSIONS IN MM

DATE 01.03.90
NAME Embo
DEP. PE Com PE&SE

PART NAME Sub-D Loetstiften gerade
Buchsenleiste
D-Sub straight soldering pins
female connector

PART NO. V42254-A2***-B***-*-27 SHT. 2+

REV. CHANGE ORDER DATE APP. Customer Drawing Nr. C-7-1393483-1 OF 8

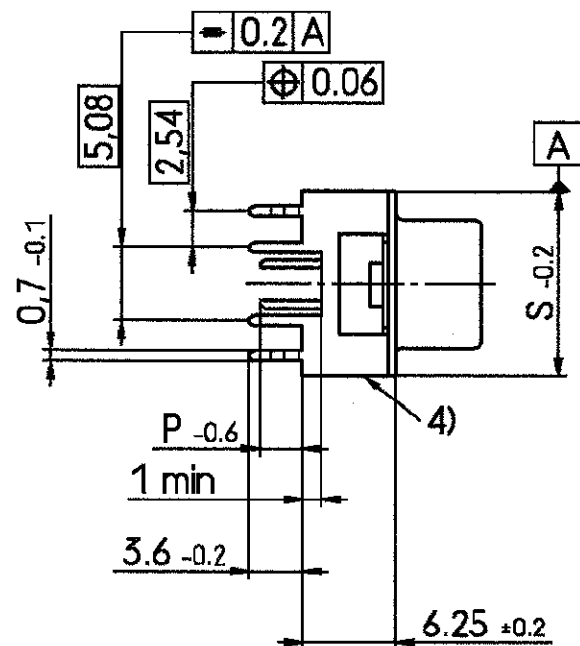
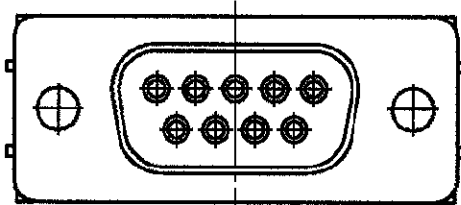
THIS INFORMATION IS CONFIDENTIAL AND PROPRIETARY TO TYCO ELECTRONICS CORPORATION AND ITS WORLDWIDE SUBSIDIARIES AND AFFILIATES. IT MAY NOT BE DISCLOSED TO ANYONE, OTHER THAN TYCO ELECTRONICS PERSONNEL, WITHOUT WRITTEN AUTHORIZATION FROM TYCO ELECTRONICS CORPORATION, HARRISBURG PENNSYLVANIA USA

PROPRIETARY:

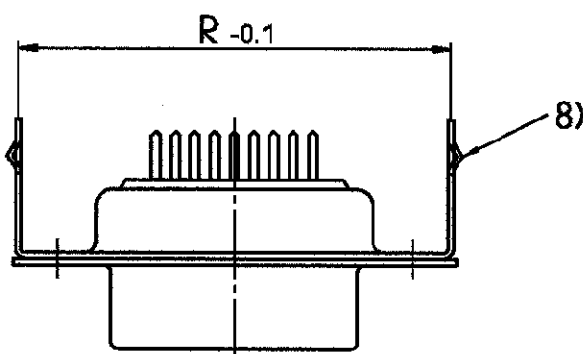
THIS INFORMATION IS CONFIDENTIAL AND PROPRIETARY TO TYCO ELECTRONICS CORPORATION AND ITS WORLDWIDE
 SUBSIDIARIES AND AFFILIATES. IT MAY NOT BE DISCLOSED TO ANYONE, OTHER THAN TYCO ELECTRONICS PERSONNEL,
 WITHOUT WRITTEN AUTHORIZATION FROM TYCO ELECTRONICS CORPORATION, HARRISBURG PENNSYLVANIA USA

mit Masselötstiften:
 with grounding soldering pins: 3)

V42254-A2215-B***
 V42254-A2217-B***
 V42254-A2815-B***
 V42254-A2817-B***



V42254-	P
A221*-+***	3.2
A281*-+***	5.55



Sachnr. ordering code V42254-A2*1*-	Polzahl No. of contacts	dimension Maß	
		R	S
B*09	09	30.4	12.4
B*15	15	38.8	12.4
B*25	25	52.8	12.4
B*37	37	69.1	12.4

Anforderungsstufe,
 performance level 1)

Erläuterungen: Seite 1
 dargestellt wird die 9-polige Ausführung
 remarks: see page 1
 drawn is the 9-contacts version

		SCALE 2:1		WEIGHT	
		MATERIAL			
DATE 01.03.90		PART NAME Sub-D Loetstiften gerade Buchsenleiste D-Sub straight soldering pins female connector			
NAME Embo					
DEP. PE Com PE&SE					
TOLERANCE UNLESS SPECIFIED OTHERWISE		PART NO.		SHT. 3+	
D2 SEE SHEET 1		V42254-A2***-B***-*-27		OF 8	
REV. CHANGE ORDER	DATE	APP.	Customer Drawing Nr. C-7-1393483-1		

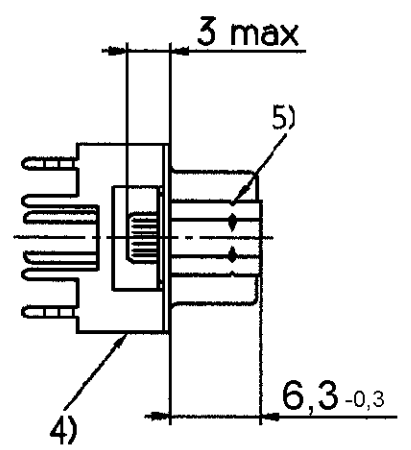
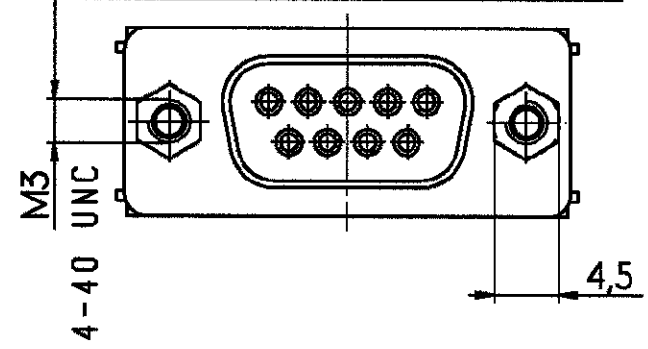
PROPRIETARY:

THIS INFORMATION IS CONFIDENTIAL AND PROPRIETARY TO TYCO ELECTRONICS CORPORATION AND ITS WORLDWIDE SUBSIDIARIES AND AFFILIATES. IT MAY NOT BE DISCLOSED TO ANYONE, OTHER THAN TYCO ELECTRONICS PERSONNEL, WITHOUT WRITTEN AUTHORIZATION FROM TYCO ELECTRONICS CORPORATION, HARRISBURG PENNSYLVANIA USA

mit Masselötstiften und Gewindebolzen:
 with grounding soldering-pins and screwlock stud bolts: 3)

M3: 4-40 UNC:
 V42254-A2219-B*** V42254-A2216-B***
 V42254-A2218-B***
 V42254-A2819-B*** V42254-A2816-B***
 V42254-A2818-B***

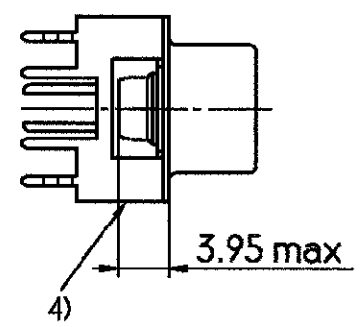
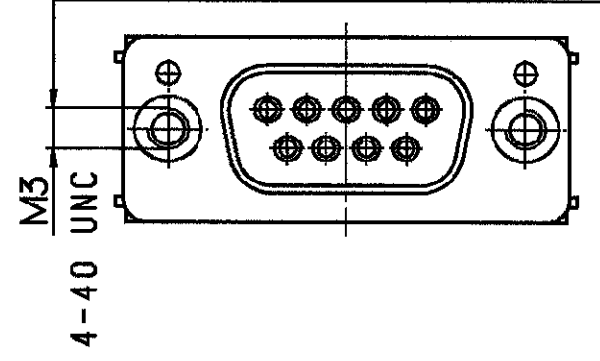
Verdrehsicherheit ≥ 70 Ncm
 torque retention ≥ 70 Ncm



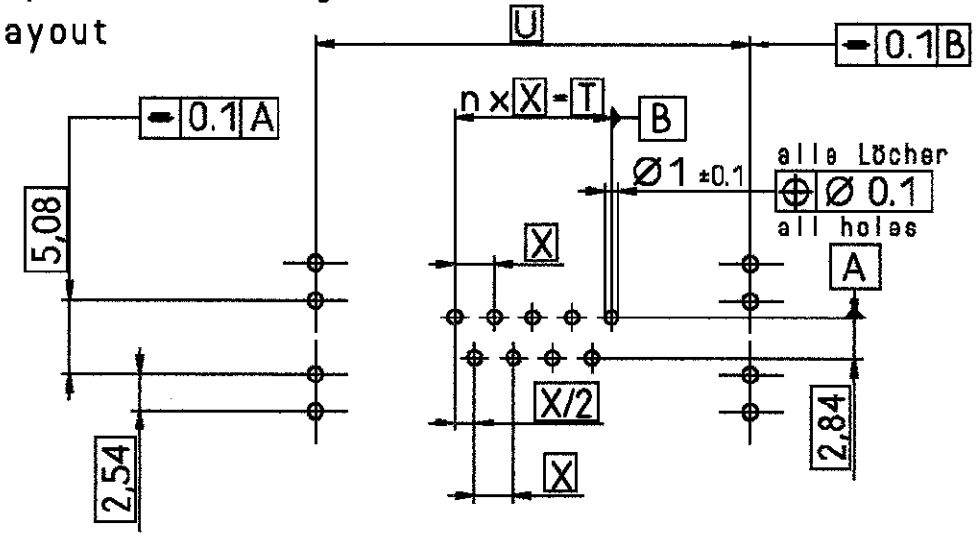
mit Masselötstiften und Stop-Mutter :
 with grounding soldering-pins and thread: 3)

M3: 4-40 UNC:
 V42254-A2214-B*** V42254-A2212-B***
 V42254-A2814-B*** V42254-A2812-B***

Verdrehsicherheit ≥ 130 Ncm
 torque retention ≥ 130 Ncm



Leiterplattenbohrung
 PCB layout



Polzahl No. of contacts	n	Abmessungen in mm dimensions in mm		
		T	U	X
9	4	10.96	30.4	2.74
15	7	19.18	38.8	2.74
25	12	33.12	52.7	2.76
37	18	49.68	69.1	2.76

Erläuterungen: Seite 1
 dargestellt wird die 9-polige Ausführung
 remarks: see page 1
 drawn is the 9-contacts version

TE TE Connectivity		SCALE 2:1	WEIGHT
DIMENSIONS IN MM		MATERIAL	
DATE	D1.03.90	PART NAME Sub-D Loetstiften gerade Buchsesteife D-Sub straight soldering pins female connector	
NAME	Embo		
DEP.	PE Com PE&SE		
TOLERANCE UNLESS SPECIFIED OTHERWISE		PART NO.	SHT. 4+
D2	SEE SHEET 1	V42254-A2***-B***-*-27	
REV.	CHANGE ORDER	DATE	APP. Customer Drawing Nr. C-7-1393483-1
			OF 8

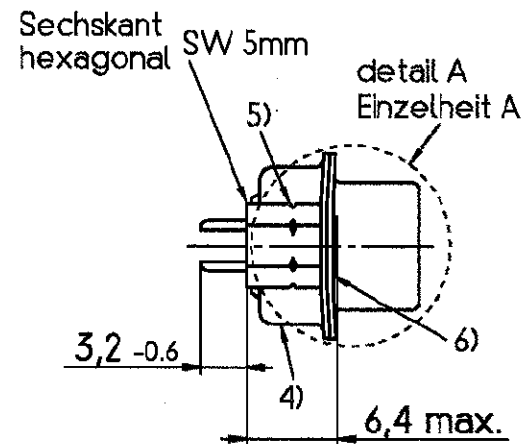
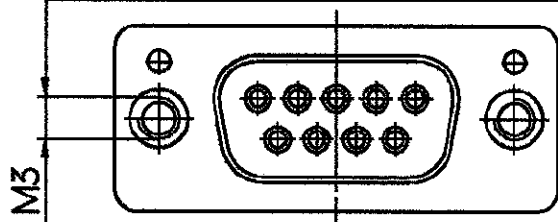
THIS INFORMATION IS CONFIDENTIAL AND PROPRIETARY TO TYCO ELECTRONICS CORPORATION AND ITS WORLDWIDE SUBSIDIARIES AND AFFILIATES. IT MAY NOT BE DISCLOSED TO ANYONE, OTHER THAN TYCO ELECTRONICS PERSONNEL, WITHOUT WRITTEN AUTHORIZATION FROM TYCO ELECTRONICS CORPORATION, HARRISBURG PENNSYLVANIA USA

PROPRIETARY:

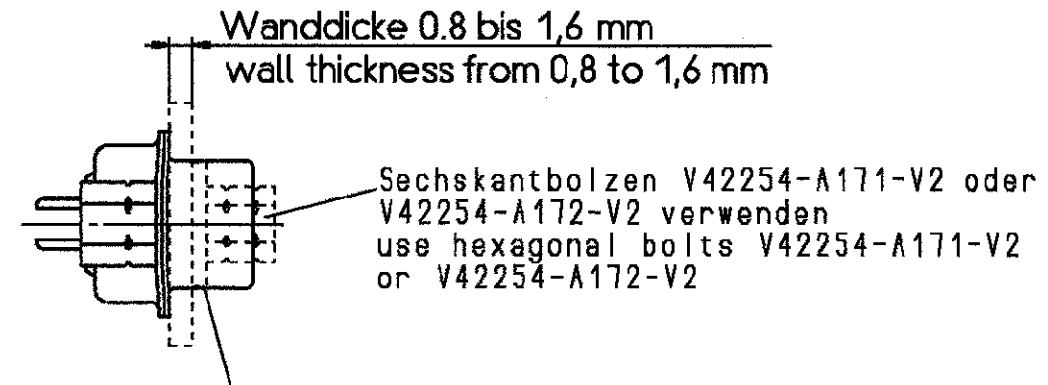
mit Distanzbolzen :
with distance bolts: 7)

V42254-A2120-B***
V42254-A2122-B***

Verdrehsicherheit ≥ 20 Ncm
torque retention ≥ 20 Ncm



Montageart
mounting type

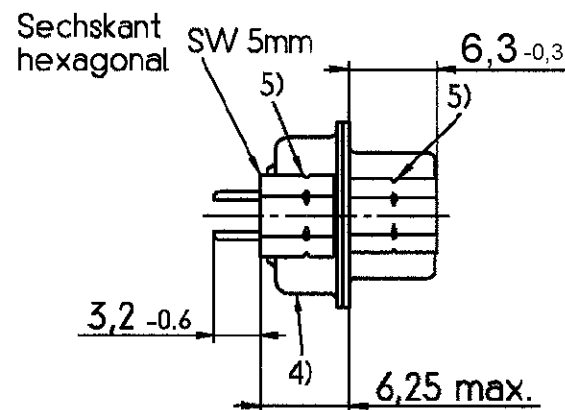
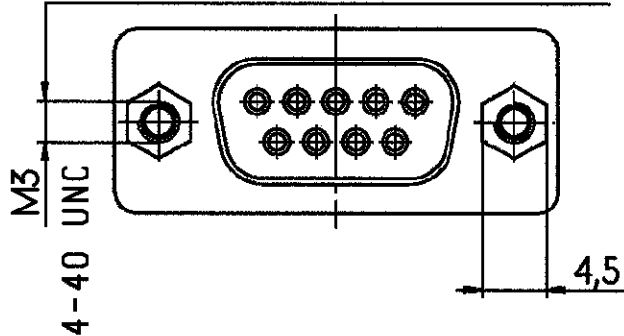


Falls notwendig Distanzscheiben verwenden
if necessary, use washer(s)

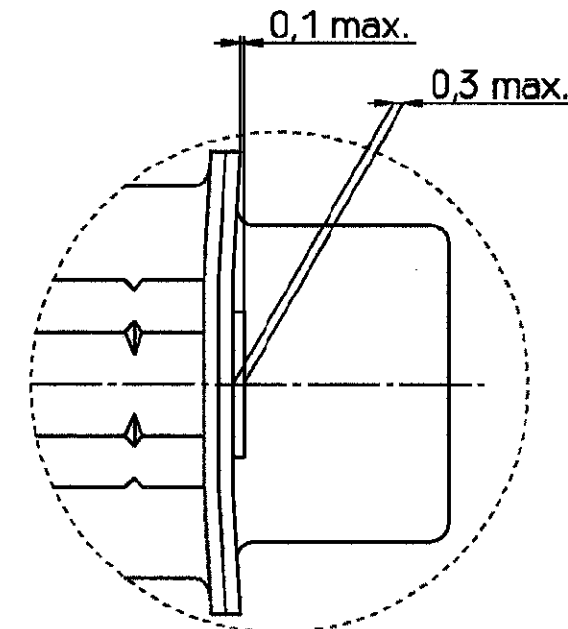
mit Gewinde- und Distanzbolzen:
with screwlock stud bolts and distance bolts: 7)

	Gewindebolzen screwlock stud bolts	Distanzbolzen distance bolts
V42254-A2130-B***	M3	M3
V42254-A2131-B***	4-40 UNC	M3
V42254-A2132-B***	M3	M3
V42254-A2133-B***	4-40 UNC	M3

Verdrehsicherheit ≥ 80 Ncm
torque retention ≥ 80 Ncm



Einzelheit A (5:1)
detail A



Erläuterungen: Seite 1
dargestellt wird die 9-polige Ausführung
remarks: see page 1
drawn is the 9-contacts version

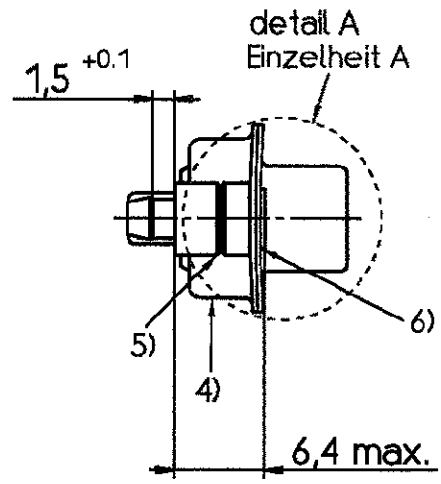
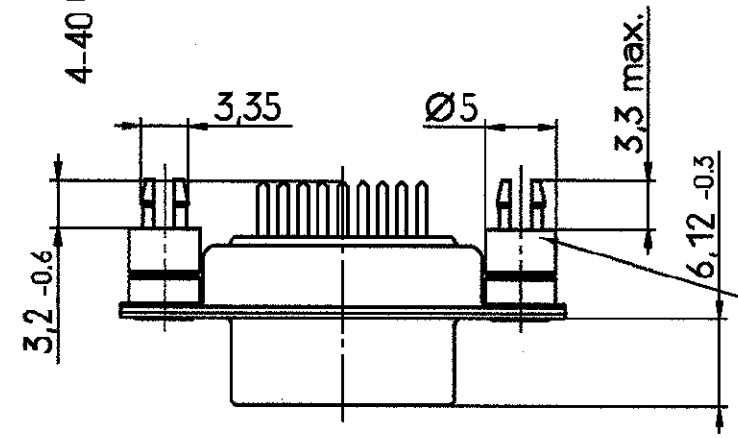
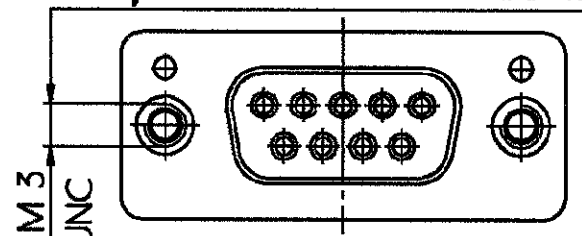
TE TE Connectivity		SCALE 2:1	WEIGHT
DIMENSIONS IN MM		MATERIAL	
DATE	01.03.90	PART NAME Sub-D Loetstiften gerade Buchsesteiste D-Sub straight soldering pins female connector	
NAME	Embo		
DEP.	PE Com PE&SE		
TOLERANCE UNLESS SPECIFIED OTHERWISE		PART NO.	SHT. 5+
D2 SEE SHEET 1		V42254-A2***-B***-*-27	
REV.	CHANGE ORDER	DATE	APP.
Customer Drawing Nr. C-7-1393483-1			
		OF 8	

THIS INFORMATION IS CONFIDENTIAL AND PROPRIETARY TO TYCO ELECTRONICS CORPORATION AND ITS WORLDWIDE SUBSIDIARIES AND AFFILIATES. IT MAY NOT BE DISCLOSED TO ANYONE, OTHER THAN TYCO ELECTRONICS PERSONNEL, WITHOUT WRITTEN AUTHORIZATION FROM TYCO ELECTRONICS CORPORATION, HARRISBURG PENNSYLVANIA USA

mit Distanzbolzen und Clip :
with distance bolts and grounding socket: 7)

M3 : V42254-A2140-B*** 4-40 UNC : V42254-A2141-B***
V42254-A2142-B***

Verdrehsicherheit \geq 20 Ncm
torque retention \geq 20 Ncm

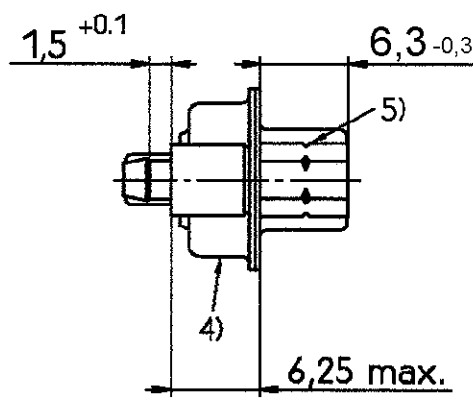
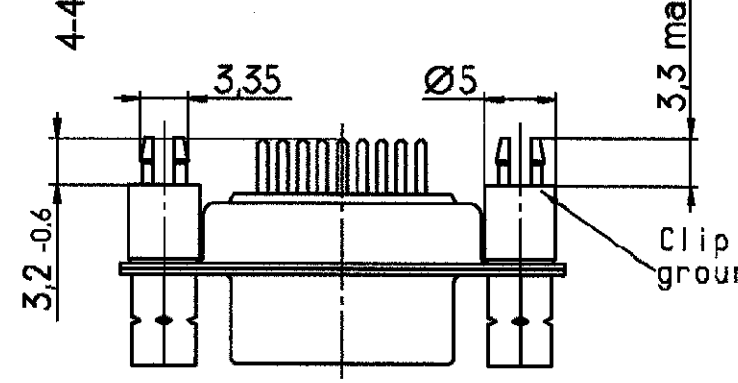
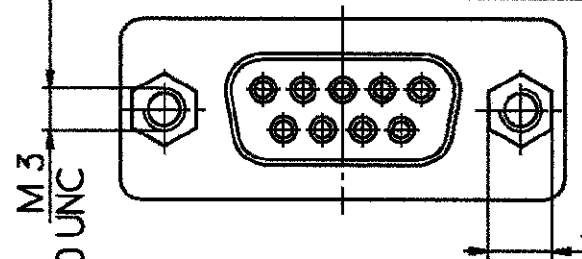


Clip für :
grounding socket for:
- Loch: \varnothing 3,2 \pm 0.1
hole:
- LP-Dicke:
PCB thickness: 1,5 \pm 0.1

mit Gewinde- und Distanzbolzen mit Clip :
with screwlock stud bolts and distance bolts and grounding socket: 7)

M3 : V42254-A2150-B*** 4-40 UNC : V42254-A2151-B***
V42254-A2152-B*** V42254-A2153-B***

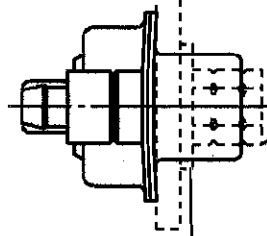
Verdrehsicherheit \geq 80 Ncm
torque retention \geq 80 Ncm



Clip für :
grounding socket for:
- Loch: \varnothing 3,2 \pm 0.1
hole:
- LP-Dicke:
PCB thickness: 1,5 \pm 0.1

Montageart
mounting type

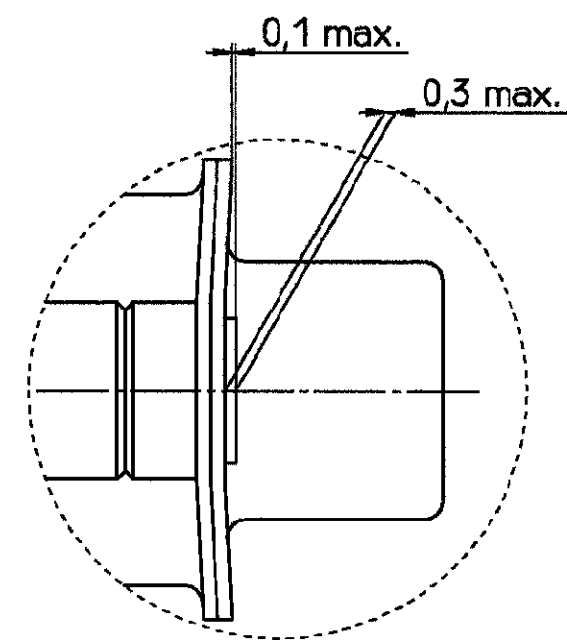
Wanddicke 0.8 bis 1,6 mm
wall thickness from 0,8 to 1,6 mm



Sechskantbolzen V42254-A171-V2 oder
V42254-A172-V2
verwenden
use hexagonal bolts V42254-A171-V2
or V42254-A172-V2

Falls notwendig Distanzscheiben
verwenden
if necessary, use washer(s)

Einzelheit A (5:1)
detail A



Erläuterungen: Seite 1
dargestellt wird die 9-polige Ausführung
remarks: see page 1
drawn is the 9-contacts version

STE TE Connectivity		SCALE 2:1		WEIGHT	
DIMENSIONS IN MM		MATERIAL			
DATE 01.03.90		PART NAME Sub-D Loetstiften gerade			
NAME Embo		Buchsesteile			
DEP. PE Com PE&SE		D-Sub straight soldering pins			
TOLERANCE UNLESS SPECIFIED OTHERWISE		PART NO.		SHT.	
D2 SEE SHEET 1		V42254-A2***-B***-27		6+	
REV.	CHANGE ORDER	DATE	APP.	Customer Drawing Nr. C-7-1393483-1	
				OF 8	

PROPRIETARY:

V 4 2 2 5 4 - A 2 * * * - B * * *

Anschlußauführung // connection type	
1	Lötstiftlänge 3.2mm // soldering pin length 3.2mm
2	Lötstiftlänge 3.2mm mit Messelstiftan 1) // soldering pin length 3.2mm with grounding soldering pins
3	Lötstiftlänge 5.55mm // soldering pin length 5.55mm
4	Lötstiftlänge 1.55mm 1) // soldering pin length 1.55mm 1)
5	Lötstiftlänge 14.05mm 1) // soldering pin length 14.05mm 1)
6	Lötstiftlänge 5.55mm mit Messelstiftan 1) // soldering pin length 5.55mm with grounding soldering pins 1)

Steckerart // connector type	
B	Buchsenleiste // female connector

Kontaktbarfläche / Kontaktart // contact surface / contact type	
1	Anforderungsstufe 1 / gerollte Kontakte // performance level I / rolled contacts
2	Anforderungsstufe 2 / gerollte Kontakte // performance level II / rolled contacts

Polzahl // No. of contacts	
09	9-polig // 9-contacts
15	15-polig // 15-contacts
25	25-polig // 25-contacts
37	37-polig // 37-contacts
50	50-polig // 50-contacts

Steckverbinderunterschaidung // connector hardware

1*

Standardausführung + Ausführung mit Gewindeinsatz oder Gewindebolzen standard version + version with thread insert or screwlock stud bolts			
	mit TE-Beschriftung auf Blechteil with TE-marking on the shell	mit Stripnutter with thread insert	mit Gewindebolzen with screwlock stud bolts
12	ja // yes	4-40UNC	nein // no
14	ja // yes	M3	nein // no
15	ja // yes	nein // no	nein // no
16	ja // yes	nein // no	4-40UNC
17	nein // no	nein // no	nein // no
18	nein // no	nein // no	4-40UNC
19	ja // yes	nein // no	M3

2*

Ausführung mit Distanzbolzen version with distance bolts		
	Distanzbolzen distance bolts	mit TE-Beschriftung auf Blechteil with TE-marking on the shell
20	M3	ja // yes
22	M3	nein // no

3*

Ausführung mit Gewindebolzen und Distanzbolzen version with screwlock stud bolts and distance bolts			
	mit Gewindebolzen with screwlock stud bolts	mit Distanzbolzen with distance bolts	mit TE-Beschriftung auf Blechteil with TE-marking on the shell
30	M3	M3	ja // yes
31	4-40UNC	M3	ja // yes
32	M3	M3	nein // no
33	4-40UNC	M3	nein // no

4*

Ausführung mit Distanzbolzen mit Clip version with distance bolts and grounding socket		
	mit Distanzbolzen with distance bolts	mit TE-Beschriftung auf Blechteil with TE-marking on the shell
40	M3 + Clip grounding socket	ja // yes
41	4-40UNC + Clip grounding socket	ja // yes
42	M3 + Clip grounding socket	nein // no

5*

Ausführung mit Gewindebolzen und Distanzbolzen mit Clip version with screwlock stud bolts and distance bolts and grounding socket			
	mit Gewindebolzen with screwlock stud bolts	mit Distanzbolzen with distance bolts	mit TE-Beschriftung auf Blechteil with TE-marking on the shell
50	M3	Clip grounding socket	ja // yes
51	4-40UNC	Clip grounding socket	ja // yes
52	M3	Clip grounding socket	nein // no
53	4-40UNC	Clip grounding socket	nein // no

1) nicht für 50-polig
 2) nur für Lötstiftlänge 3.2mm
 1) not for 50-contacts version
 2) not for soldering pin length 3.2mm

THIS INFORMATION IS CONFIDENTIAL AND PROPRIETARY TO TYCO ELECTRONICS CORPORATION AND ITS WORLDWIDE SUBSIDIARIES AND AFFILIATES. IT MAY NOT BE DISCLOSED TO ANYONE, OTHER THAN TYCO ELECTRONICS PERSONEL, WITHOUT WRITTEN AUTHORIZATION FROM TYCO ELECTRONICS CORPORATION, HARRISBURG PENNSYLVANIA USA.



		SCALE	WEIGHT
TE Connectivity		MATERIAL	
DATE 01.03.90		PART NAME Sub-D Lötstiften gerade	
NAME Embo		Buchsenleiste	
APP. EC CS CIPD		D-Sub straight soldering pins	
TOLERANCE UNLESS SPECIFIED OTHERWISE		PART NO. V42254-A2****-B****-27	
D2 SEE SHEET 1		6-T. 7+	
REV. CHANGE ORDER	DATE	APP. Customer Drawing Nr. C-7-1393483-1	OF 8

THIS INFORMATION IS CONFIDENTIAL AND PROPRIETARY TO TYCO ELECTRONICS CORPORATION AND ITS WORLDWIDE SUBSIDIARIES AND AFFILIATES. IT MAY NOT BE DISCLOSED TO ANYONE, OTHER THAN TYCO ELECTRONICS PERSONNEL, WITHOUT WRITTEN AUTHORIZATION FROM TYCO ELECTRONICS CORPORATION, HARRISBURG PENNSYLVANIA USA

PROPRIETARY:

TE PARTNUMBER	OLD PARTNUMER (Description)	
1-1393484-0	V42254A2140B125	
1-1393484-1	V42254A2140B137	OBSOLETE
1-1393484-2	V42254A2140B209	
1-1393484-5	V42254A2141B209	
1-1393484-6	V42254A2141B215	OBSOLETE
1-1393484-7	V42254A2141B225	OBSOLETE
1-1393484-8	V42254A2141B237	OBSOLETE ⁹
1-1393740-3	V42254A2115B250	
1-1393740-7	V42254A2212B209	
1-1393740-8	V42254A2212B215	
1-1393740-9	V42254A2212B225	
1-1393484-3	V42254A2116B209	OBSOLETE ⁹
1393484-4	V42254A2116B225	OBSOLETE
1-1393484-5	V42254A2116B237	OBSOLETE ⁹
1393484-8	V42254A2140B109	
1393484-9	V42254A2140B115	
1393741-1	V42254A2812B215	
1393741-3	V42254A2816B109	OBSOLETE
1393741-4	V42254A2816B115	
1393741-5	V42254A2819B209	
1393741-6	V42254A2819B225	
1485839-1	V42254A21XXB209	
1485839-2	V42254A21XXB215	
1485839-3	V42254A21XXB215P	
1485839-4	V42254A21XXB225	
1485839-5	V42254A21XXB225P	
1485839-6	V42254A21XXB237	
1857904-3	25p Sub-D PCB Rec 4-40 UNC Scr.Lck+Clip	
2-1393484-2	V42254A2151B209	OBSOLETE
2-1393484-3	V42254A2151B215	
2-1393484-4	V42254A2151B225	
2-1393740-8	V42254A2214B209	
2-1393740-9	V42254A2214B215	OBSOLETE ⁹
3-1393484-1	V42254A2315B109	OBSOLETE
3-1393484-2	V42254A2315B115	OBSOLETE ⁹
3-1393484-3	V42254A2315B209	
3-1393484-4	V42254A2315B215	
3-1393484-5	V42254A2315B225	OBSOLETE ⁹
3-1393484-6	V42254A2315B237	
3-1393740-0	V42254A2214B225	
3-1393740-1	V42254A2214B237	OBSOLETE ⁹
4-1393740-4	V42254A2215B209	OBSOLETE ¹⁰
4-1393740-5	V42254A2215B215	

TE PARTNUMBER	OLD PARTNUMER (Description)	
4-1393740-6	V42254A2215B225	OBSOLETE ⁹
4-1393740-7	V42254A2215B237	
6-1393740-6	V42254A2216B109	OBSOLETE
6-1393740-7	V42254A2216B115	OBSOLETE ⁹
6-1393740-8	V42254A2216B125	OBSOLETE ⁹
6-1393740-9	V42254A2216B137	
7-1393483-1	SUB D FEDERLEISTE	OBSOLETE
7-1393483-2	V42254A2112B225	
7-1393483-5	SUB D FEDERLEISTE	OBSOLETE ⁹
7-1393483-6	V42254A2114B215	
7-1393740-0	V42254A2216B209	
7-1393740-1	V42254A2216B215	
7-1393740-2	V42254A2216B225	
7-1393740-3	V42254A2216B237	
8-1393483-6	V42254A2115B125	⁹ OBSOLETE
8-1393483-7	V42254A2115B209	
8-1393483-8	V42254A2115B215	
8-1393483-9	V42254A2115B225	
8-1393740-7	SUB D FEDERLEISTE	
8-1393740-8	SUB D FEDERLEISTE	OBSOLETE
8-1393740-9	SUB D FEDERLEISTE	
9-1393483-0	V42254A2115B237	
9-1393740-0	V42254A2219B209	
9-1393740-1	V42254A2219B215	
9-1393740-2	V42254A2219B225	
9-1393740-3	V42254A2219B237	
9-1393740-8	V42254A2315B250	

 TE Connectivity			SCALE 2:1	WEIGHT
LOC GW		DIMENSIONS IN MM	MATERIAL	
DATE	01.03.90	PART NAME Sub-D Loetstiften gerade		
NAME	Embo	Buchsenleiste		
DEP.	PE Com PE&SE	D-Sub straight soldering pins		
TOLERANCE UNLESS SPECIFIED OTHERWISE		PART NO.		SHT. 8+
D2 SEE SHEET 1		V42254-A2***-B***-*27		OF 8
REV.	CHANGE ORDER	DATE	APP.	Customer Drawing Nr. G-7-1393483-1