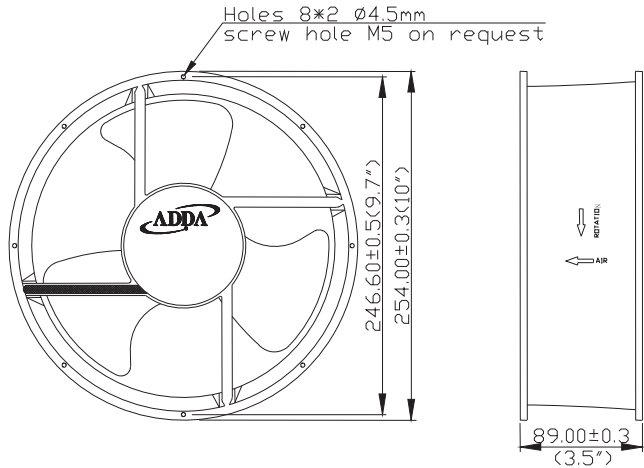




External Dimensions



Frame: Aluminum Alloy
 Impeller: Plastic (UL:94V-0)
 Motor Structure: Capacitor-Run Induction Motor.
 Motor Protection: Thermal Protect.
 Lead wire: UL 1015AWG20
 OPERATING TEMP*: -10°C~70°C
 *: -10°C~60°C for fans with sleeve/ball combination bearings.

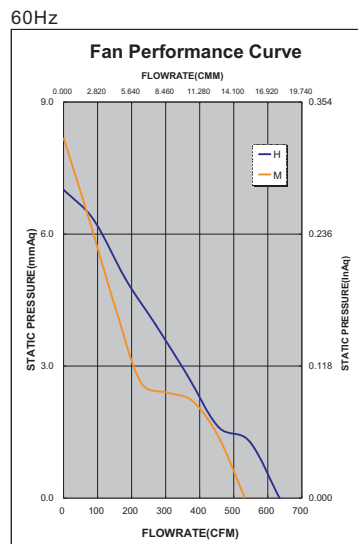
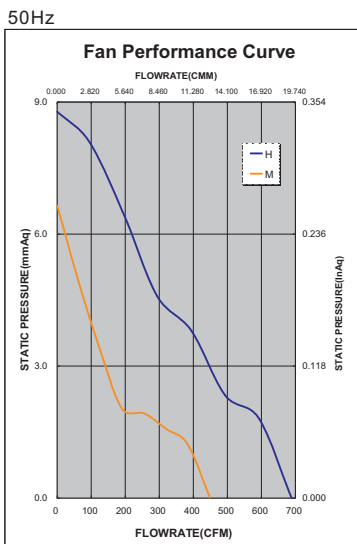
Specifications(Nominal)

*Noise is measured at the distance of one (1) meter from the axis of intake.

Bearing type: ◎=Ball ✳=Sleeve ●=Hypro bearing

Frame size (mm)	Model No.	Bearing System Type	Volt. (VAC)	Freq. (Hz)	Current (A)	Power (W)	Rated Speed (rpm)	Maximum AirFlow (CMM) (CFM)	Maximum Pressure (InAq) (mmAq)	*Noise Level (dB/A)	Weight (g)
254x89	AK2581MB	◎	115	50/60	0.22/0.24	24.20/26.50	1350/1600	12.735/14.999 450.0/530.0	0.262/0.322 6.650/8.190	55.6/57.0	2000
	AK2582MB	◎	230	50/60	0.16/0.14	32.20/28.80					
	AK2581HB	◎	115	50/60	0.55/0.62	56.00/67.80	2100/2000	19.244/17.829 680.0/630.0	0.346/0.276 8.788/7.010	66.0/62.0	
	AK2582HB	◎	230	50/60	0.26/0.30	55.40/62.80					

Specifications subject to change without notice.



*Safety approvals

✓	✓		✓	✓