



Expertise Applied | Answers Delivered

8755 W. Higgins Road
Suite 500
Chicago, IL 60631

www.littelfuse.com

December 12th, 2014
To: Valued Customer
From: Littelfuse Product Management

Subject: **PRODUCTION SUPPORT FROM TAIWAN FACTORY FOR 05200002M and 05200002H FUSE BLOCKS.**

This is a 90-day PCN

Background

With regards to the above reference, Littelfuse would like to inform you that we are now prepared to support production out of Taiwan for the 05200002M and 05200002H parts numbers.

Affected parts numbers.

Part number	Description	Country of origin		Material		Plated		Packaging	
		Previous	New	Previous	New	Previous	New	Previous	New
05200002M	FUSEHOLDER BLOCK-P.C. BOARD 5 X 20	United Kingdom	Taiwan	Brass Alloy	Brass Alloy	Tin	Tin	1000 pcs	1000 pcs
05200002H	FUSEHOLDER BLOCK-P.C. BOARD 5 X 20	United Kingdom	Taiwan	Brass Alloy	Brass Alloy	Tin	Tin	100 pcs	100 pcs

Please note there is a slightly change in the clip configuration due to improve the fuse inset function. The dimensional and “hole pattern” remain the same. This is documented in the attached documentation.

Please contact your local Littelfuse Sales Office if you need further assistance.

Best regards,

Aurora Contreras
Assistant Product Manager
Littelfuse, Inc.
Tel: +1 52 (878) 782 6222 ext 4796
www.littelfuse.com



Expertise Applied | Answers Delivered

8755 W. Higgins Road
Suite 500
Chicago, IL 60631

www.littelfuse.com

Differences of the parts numbers: 05200002M and 05200002H



Current part



New part

The LF logo is removed from the base, now the new block has a hole to hold on in the panel if is needed

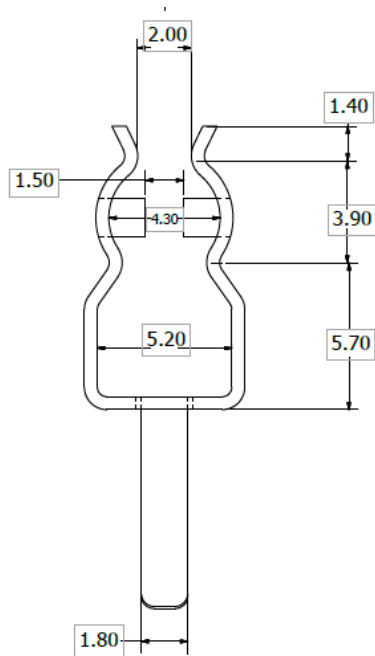


Current part

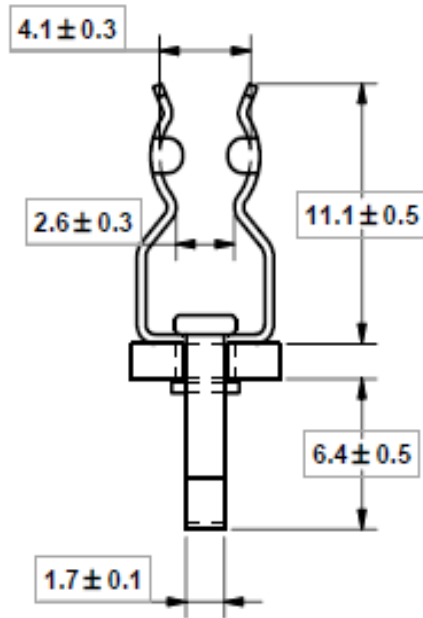


New part

In the new block we improve the rivet of the clip in the base



Current part



New part

There is a slight difference in shape of the new clip, although both has similar dimension, the new shape of clip help to install the fuse in the block easily



Expertise Applied | Answers Delivered

8755 W. Higgins Road
Suite 500
Chicago, IL 60631

www.littelfuse.com



Current part (4.5 cm x 4.5 cm)



New part (6 cm x 3.5cm)

The format and size for the packaging label will be slightly different. (bar code EAN-13 code format)



Current dimension
9.5cm(L) x 8.5cm(W) x 6.0cm(H)



New dimension
9.2cm(L) x 7.5cm(W) x 4.4cm(H)