

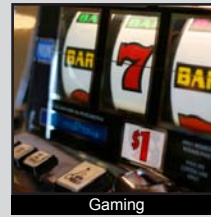
ANTI-VANDAL SWITCHES
 DETECTOR SWITCHES
 DIP SWITCHES
 KEYLOCK SWITCHES
 NAVIGATION SWITCHES
 PUSHBUTTON SWITCHES
 ROCKER SWITCHES
 ROTARY SWITCHES
 SLIDE SWITCHES
 SNAP ACTION SWITCHES
 TACTILE SWITCHES
 TOGGLE SWITCHES
 CAP OPTIONS



APPLICATIONS / MARKETS



Commercial Appliances



Gaming



HVAC



Security Devices



RoHS

SPECIFICATIONS

Electrical Rating:

Rating Option 1: 10R (4)A 277VAC 5E4

Rating Option 7: 16A 125VAC [cURus];

12A 250VAC [cURus]; 1HP 125/250VAC [cURus]

Electrical Life: 6,000 Cycles

Mechanical Life: 50,000 Cycles

Contact Resistance: 10mΩ Max.

Insulation Resistance: 10MΩ Min.

Operating Temperature 0°C to 85°C

Panel Cutout: 13.5mm x 36mm

Function: DPDT, On-On or On₁-On₂-(On₁)

FEATURES & BENEFITS

- Push-pull or momentary functions
- Various actuator and terminal options
- High ratings with UL approvals
- Acts as door interlock switch

PART NUMBER CONFIGURATOR

Series	Terminal Type	Function	Contact Rating	Body Color	Actuator Height	Actuator Color
PP2	1 - 4.8mm x 0.8mm Tabs, Vertical 4 - 6.3mm x 0.8mm Tabs, Vertical *** 7 - 4.8mm x 0.5mm Tabs, Vertical	H - On-On U - On ₁ -On ₂ -(On ₁)	1 - 10R(4)A 277VAC 5E4 7 - 16A 125VAC 12A 250VAC 1HP 125/250VAC	1 - Black 2 - White	*A - 21.7mm Straight **B - 18.3mm Push-Pull **C - 20.8mm Push-Pull *D - 11.4mm Short	2 - White

* Available with "H" function only

** Available with "U" function only

*** Available only with Contact Rating option "1"

Specifications subject to change without notice



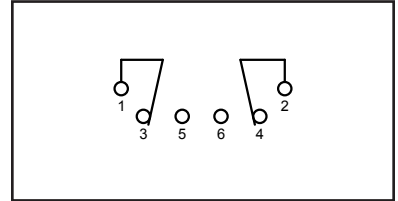
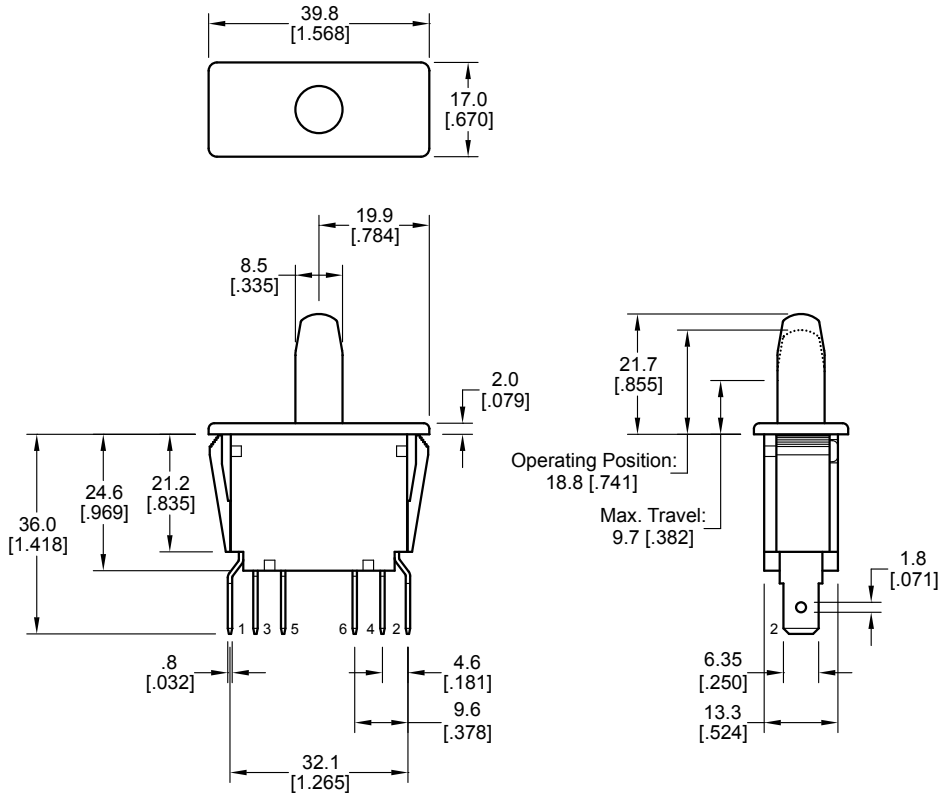
E-SWITCH®

www.e-switch.com

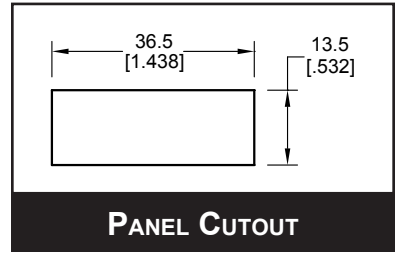
800.867.2717

2

STANDARD BODY DIMENSIONS

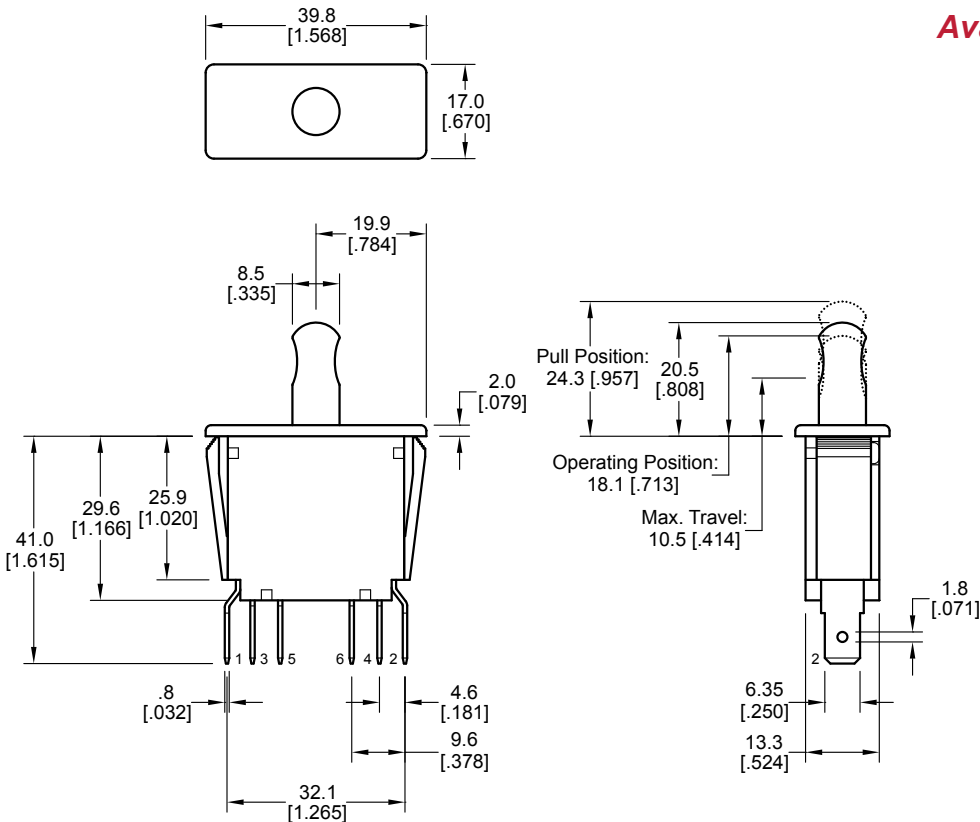


SCHEMATIC



PANEL CUTOUT

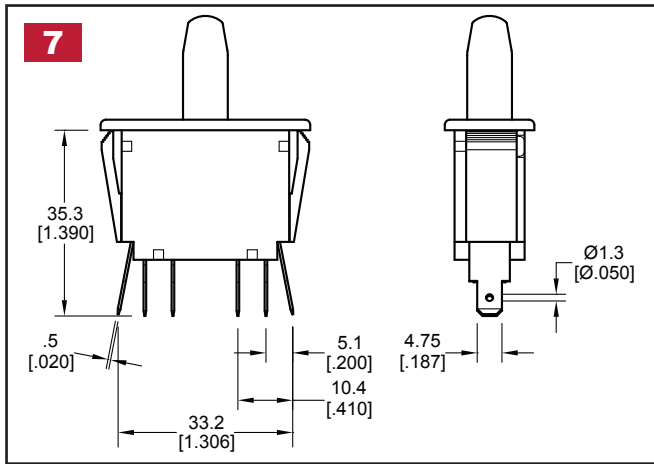
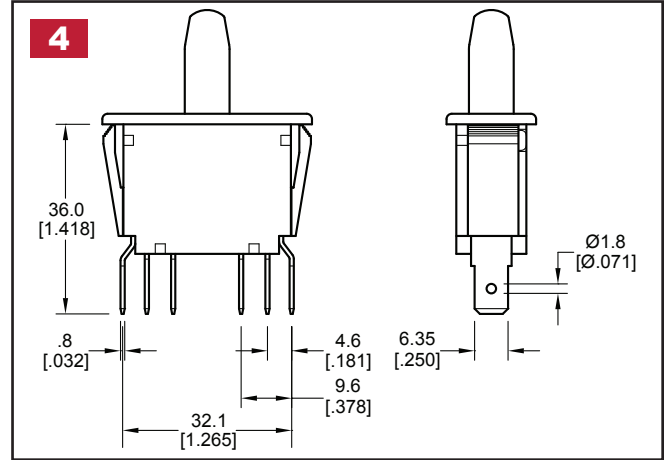
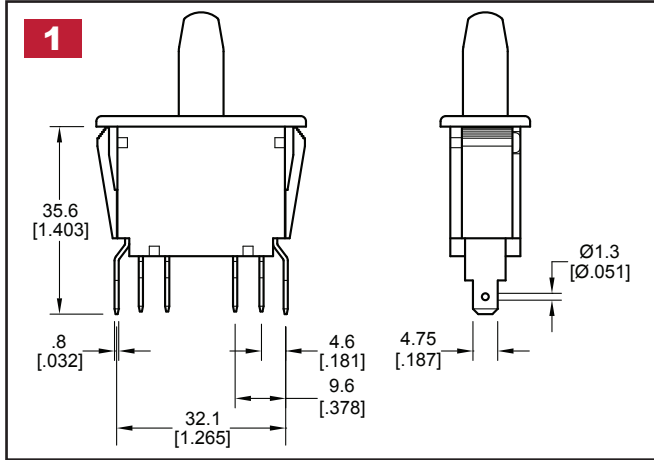
LONG BODY DIMENSIONS



Available with "C" actuator only



TERMINAL OPTIONS



ACTUATOR OPTIONS

