

Product data sheet

Specifications



Harmony, Miniature plug-in relay pre-assembled, 10 A, 2 CO, with LED, with lockable test button, mixed terminals socket, 230 V AC

RXM2AB2P7PVM

Main

| | |
|--|---|
| Range of product | Harmony Electromechanical Relays |
| Series name | Miniature |
| Product or component type | Pre-assembled plug-in relay with socket |
| Device short name | RXM |
| Contacts type and composition | 2 C/O |
| [Uc] control circuit voltage | 230 V AC 50/60 Hz |
| [Ithe] conventional enclosed thermal current | 10 A at -40...55 °C |
| Status LED | With |
| Control type | Lockable test button |
| Utilisation coefficient | 20 % |

Complementary

| | |
|--|--|
| [Ui] rated insulation voltage | 250 V conforming to IEC |
| [Uimp] rated impulse withstand voltage | 4 kV during 1.2/50 µs |
| Contacts material | AgNi |
| [Ie] rated operational current | 6 A at 28 V (DC) NC conforming to IEC 6 A at 250 V (AC) NC conforming to IEC 10 A at 28 V (DC) NO conforming to UL 10 A at 250 V (AC) NO conforming to UL |
| Minimum switching current | 10 mA |
| Maximum switching voltage | 250 V |
| Minimum switching voltage | 17 V |
| Resistive rated load | 10 A at 250 V AC 10 A at 28 V DC |
| Maximum switching capacity | 2500 VA AC 280 W DC |
| Minimum switching capacity | 170 mW at 10 mA, 17 V |
| Operating rate | <= 1200 cycles/hour under load <= 18000 cycles/hour no-load |
| Mechanical durability | 10000000 cycles |
| Electrical durability | 100000 cycles for resistive load |

| | |
|---|--|
| Average coil consumption in W | 1.2 W, AC |
| Drop-out voltage threshold | >= 0.3 U _c AC |
| Operate time | 20 ms |
| Release time | 20 ms |
| Average coil resistance | 15000 Ohm at 20 °C +/- 15 % |
| Rated operational voltage limits | 184...253 V AC |
| Safety reliability data | B10d = 100000 |
| Protection category | RT I |
| Test levels | Level A group mounting |
| Operating position | Any position |
| Sale per indivisible quantity | 30 |
| CAD overall width | 26.9 mm |
| CAD overall height | 79 mm |
| CAD overall depth | 78.45 mm |
| Connections - terminals | Connector, 1 x 0.25...1 x 2.5 mm ² (AWG 22...AWG 14) flexible with cable end Connector, 2 x 0.25...2 x 1 mm ² (AWG 22...AWG 17) flexible with cable end Connector, 1 x 0.5...1 x 2.5 mm ² (AWG 20...AWG 14) solid without cable end Connector, 2 x 0.5...2 x 1.5 mm ² (AWG 20...AWG 16) solid without cable end |
| Torque value | 1 N.m |
| Net weight | 0.096 kg |
| Device presentation | Complete product |

Environment

| | |
|--|---|
| Dielectric strength | 1300 V AC between contacts with micro disconnection 2000 V AC between coil and contact 2000 V AC between poles |
| Product certifications | CE UL CSA EAC Lloyd's |
| Standards | UL 508 EN/IEC 61810-1 CSA C22.2 No 14 IEC 61984 |
| Ambient air temperature for storage | -40...85 °C |
| Ambient air temperature for operation | -40...55 °C |
| Vibration resistance | 3 gn, amplitude = +/- 1 mm (f = 10...150 Hz)5 cycles in operation 5 gn, amplitude = +/- 1 mm (f = 10...150 Hz)5 cycles not operating |
| IP degree of protection | IP20 conforming to EN/IEC 60529 |
| Shock resistance | 10 gn for in operation 30 gn for not operating |
| Pollution degree | 2 |

Packing Units

| | |
|-------------------------------------|---------|
| Unit Type of Package 1 | PCE |
| Number of Units in Package 1 | 1 |
| Package 1 Weight | 99 g |
| Package 1 Height | 7.9 cm |
| Package 1 width | 2.69 cm |

| | |
|------------------------------|-----------|
| Package 1 Length | 7.845 cm |
| Unit Type of Package 2 | BB1 |
| Number of Units in Package 2 | 30 |
| Package 2 Weight | 3.275 kg |
| Package 2 Height | 9.1 cm |
| Package 2 width | 10.2 cm |
| Package 2 Length | 19.8 cm |
| Unit Type of Package 3 | S03 |
| Number of Units in Package 3 | 270 |
| Package 3 Weight | 30.115 kg |
| Package 3 Height | 30 cm |
| Package 3 width | 30 cm |
| Package 3 Length | 40 cm |

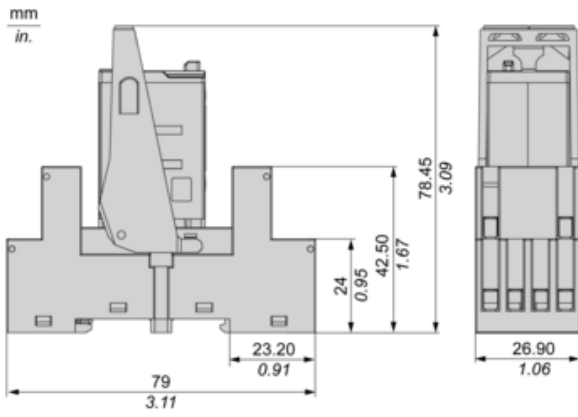
Offer Sustainability

| | |
|----------------------------|--|
| Sustainable offer status | Green Premium product |
| REACH Regulation | REACH Declaration |
| REACH free of SVHC | Yes |
| EU RoHS Directive | Pro-active compliance (Product out of EU RoHS legal scope) EU RoHS Declaration |
| Toxic heavy metal free | Yes |
| Mercury free | Yes |
| RoHS exemption information | Yes |
| China RoHS Regulation | China RoHS declaration |
| Environmental Disclosure | Product Environmental Profile |
| WEEE | The product must be disposed on European Union markets following specific waste collection and never end up in rubbish bins |
| California proposition 65 | WARNING: This product can expose you to chemicals including: Nickel compounds, which is known to the State of California to cause cancer, and Di-isodecyl phthalate (DIDP), which is known to the State of California to cause birth defects or other reproductive harm. For more information go to www.P65Warnings.ca.gov |

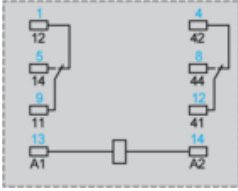
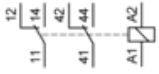
Contractual warranty

| | |
|----------|-----------|
| Warranty | 18 Months |
|----------|-----------|

Dimensions



Wiring Diagram

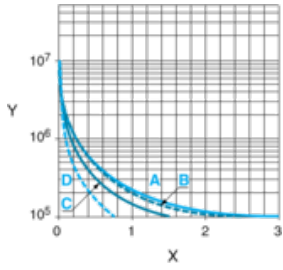


Symbols shown in blue correspond to Nema marking.

Electrical Durability of Contacts

Durability (inductive load) = durability (resistive load) x reduction coefficient.

Resistive AC load



X Switching capacity (kVA)

Y Durability (Number of operating cycles)

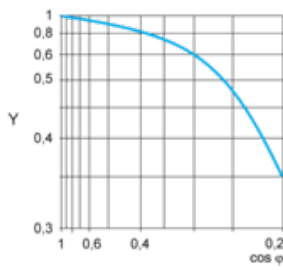
A RXM2AB...

B RXM3AB...

C RXM4AB...

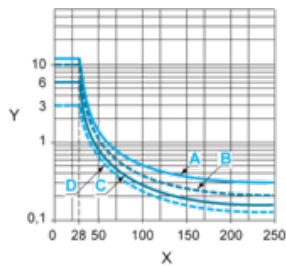
D RXM4GB...

Reduction coefficient for inductive AC load (depending on power factor $\cos \phi$)



Y Reduction coefficient (A)

Maximum switching capacity on resistive DC load



X Voltage DC

Y Current DC

A RXM2AB...

B RXM3AB...

C RXM4AB...

D RXM4GB...

Note : These are typical curves, actual durability depends on load, environment, duty cycle, etc.