

Product / Process Change Notification (PCN)

- Major change
 Minor change

PCN #: PCN_AsSPAII_20230928

Affected Series: WA-SPAII; 970xxx155 / 970xxx365 / 970xxx485

PCN Date: June 28, 2023

Effective Date: September 28, 2023

Change Category:

- Equipment / Location
 General Data
 Material
 Process
 Product Design
 Shipping / Packaging
 Supplier
 Software

Contact: Product Management

Phone: +49 (0) 7942 - 945 5001

Fax: +49 (0) 7942 - 945 5179

E-Mail: pcn.eican@we-online.com

Data Sheet Change:

- Yes No

Attachment:

- Yes No

Description and purpose of change:

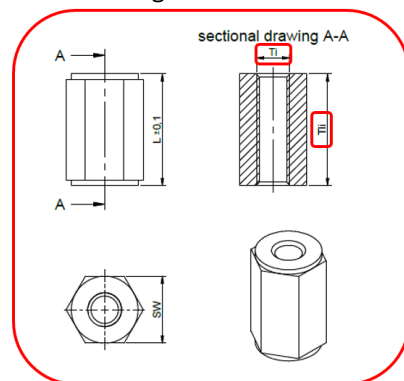
Because of a database mismatch, Würth Elektronik update 3d models & datasheets

All products/LOT will be affected by this change. This is a 3d model & datasheet correction only. There will be no change in form, fit, function, quality or reliability of the product.

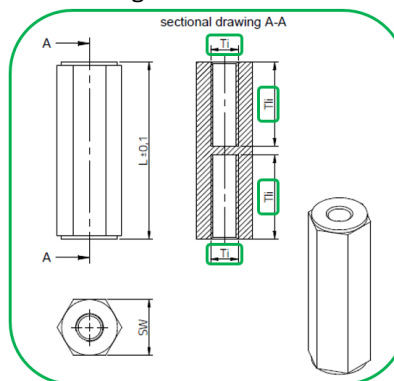
Detail of Change:

970xxx155 / 970xxx365 / 970xxx485 – updated dimensions and 3d models; e.g. drawing section below

Before Change:



After Change :



Reliability / Qualification Summary:

There will be no change of the product, therefore no additional reliability or qualification testing will be performed.