

# Industrial AC1200 Wave 2 Access Point

The DIS-2650AP Industrial AC1200 Wave 2 Access Point is designed specifically to operate in harsh environments with a wide operating temperature range and surge/ESD protection. It comes in a sturdy metal housing that can be DIN or wall-mounted, ideal for industrial installations.

## DIS-2650AP

- Wide operating temperature range with built-in 2 kV surge protection and 15kV ESD protection
- Flexible DIN or wall mountable
- Dual power input for redundant power supplies
- Easy to manage with D-Link's free Nuclias Connect centralised management software or Nuclias Connect Hub
- Works as a standalone AP or as part of a centralised, scalable multi-device deployment
- Superior throughput with dual-band transfer speeds up to 300 Mbps in the 2.4 GHz band and 867 Mbps in the 5 GHz band
- Band Steering ensures devices connect to the best available and supported frequency band
- Supports Power over Ethernet (802.3at) for less cable clutter
- Supports multiple VLANs for enhanced network management and up to 16 SSID setups
- 2 x Gigabit LAN port for high-capacity backhaul to the wired network
- Multiple AP modes to adapt to your network's needs
- Supports WPA2™ Wi-Fi security for more protection
- MAC Address Filtering and WLAN Partitioning ensure ultimate control of your network's access
- Captive Portal with industry-standard authentication for enhanced access management



## Nuclias Connect



Free-to-Download Management Software



Inexpensive Hardware Controller



Searchable Event Log and Change Log



License-Free Access Points



Traffic Reporting & Analytics



Authentication via Customizable Captive Portal, 802.1x and RADIUS Server, POP3, LDAP



Backwards-Compatibility



Remote Config. & Batch Config.



Multilingual Support



Intuitive Interface



Multi-Tenant & Role-Based Administration



Payment Gateway (Paypal) Integration and Front-Desk Ticket Management

## DIS-H30-24

Device Interfaces	IEEE 802.11a/b/g/n/ac wireless <sup>1</sup> 2 x Gigabit LAN (PoE supported) 1 x Console Port
Standards	IEEE 802.11a/b/g/n/ac <sup>1</sup> IEEE 802.3u/ab IEEE 802.3az Energy-Efficient Ethernet (EEE) IEEE 802.3at Power over Ethernet
Antennas	2 x external omni-directional antennas <ul style="list-style-type: none"> <li>• 2.5 dBi at 2.4 GHz</li> <li>• 3.0 dBi at 5 GHz</li> </ul>
Operating Frequency <sup>2</sup>	2.4 GHz band: 2.4 to 2.4835 GHz 5 GHz band: 5.15 to 5.35 GHz, 5.47 to 5.85 GHz
Maximum Output Power	2.4 GHz band: 23 dBm 5 GHz band: 23 dBm
Data Signal Rate	2.4 GHz band: Up to 300 Mbps <sup>1</sup> 5 GHz band: Up to 866 Mbps <sup>1</sup>

## Functionality

Security Features	WPA/WPA2 WEP 64/128-bit encryption SSID broadcast disable MAC address access control
Network Management	Web (HTTP) Secure Socket Layer (SSL) D-Link Nuclias Connect
LED Display	PWR1/PWR2/STATUS/POE/ALARM/2.4G/5G/SIGNAL
Other Features	Fast Roaming Support with 802.11k, 802.11v, and 802.11r Passpoint Hotspot 2.0 Support

## Physical

Dimensions	196.2 x 105.9 x 40 mm
Weight	785 g
Power Input	12 to 48 V DC terminal block dual input or 802.3at Power over Ethernet
Maximum Power Consumption	14.478 W
MTBF	341,897 hours
Installation	DIN rail/wall mountable
Temperature	Operating: -20 to 65°C Storage: -40 to 80°C
Humidity	Operating: 10% to 90% non-condensing Storage: 5% to 95% non-condensing
Certifications	FCC, CE <sup>3</sup> , LVD, NCC, BSMI

## Accessories - Power Supplies

DIS-H30-24	30W 24VDC Ultra Slim DIN Rail PSU - Input: 85 ~ 264VAC, Output: 21.6 ~ 29V DC, Din rail TS-35/7.5 or 15 mountable, -30~70°C operating temperature
DIS-H60-24	60W 24VDC Ultra Slim DIN Rail PSU - Input: 85 ~ 264VAC, Output: 21.6 ~ 29V DC, Din rail TS-35/7.5 or 15 mountable, -30~70°C operating temperature
DIS-N240-48	240W 48VDC DIN Rail PSU - Input: 90 ~ 264VAC, Output: 48 ~ 55V DC, Din rail TS-35/7.5 or 15 mountable, -20~70°C operating temperature
DIS-N480-48	480W 48VDC DIN Rail PSU - Input: 90 ~ 264VAC, Output: 48 ~ 55V DC, Din rail TS-35/7.5 or 15 mountable, -20~70°C operating temperature

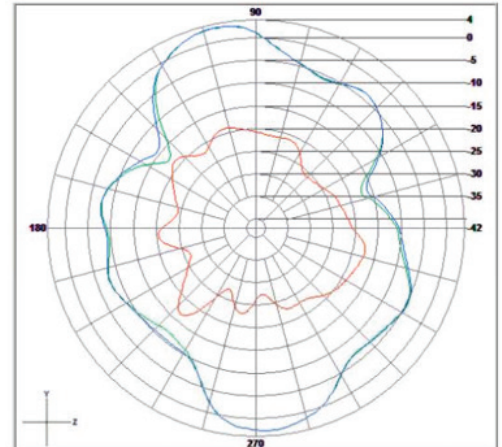
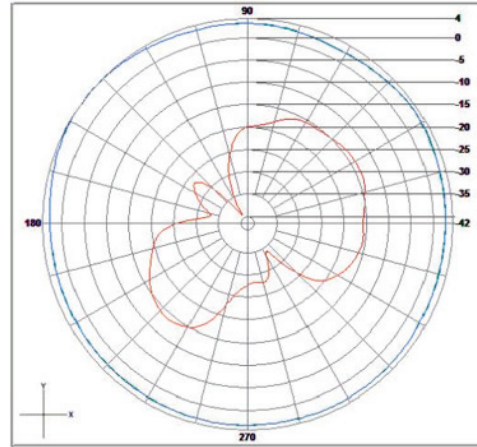
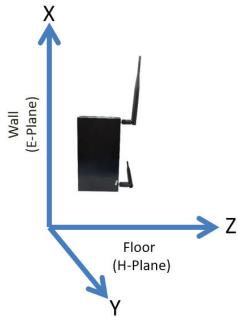
## Antenna Patterns

Orientation

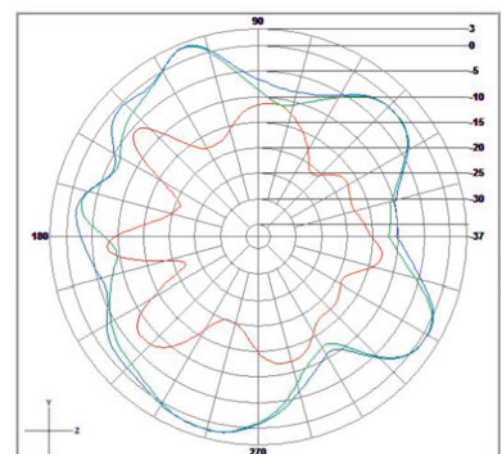
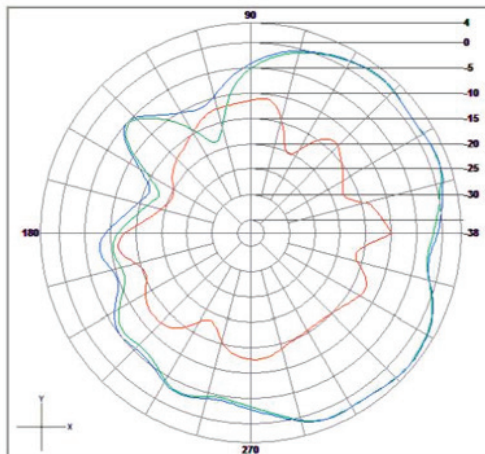
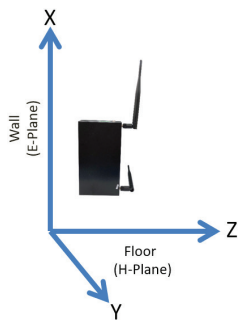
H-Plane

E-Plane

2.4 GHz Wall/DIN-rail Mounted



5 GHz Wall/DIN-rail Mounted



<sup>1</sup> Maximum wireless signal rate derived from IEEE standard 802.11 and 802.11ac specifications. Actual data throughput will vary. Network conditions and environmental factors, including volume of network traffic, building materials and construction, and network overhead, lower actual data throughput rate. Environmental factors will adversely affect wireless signal range.

<sup>2</sup> Please note that operating frequency ranges vary depending on the regulations of individual countries and jurisdictions. The DIS-2650AP may not support the 5.25 - 5.35 GHz and 5.47 - 5.725 GHz frequency ranges in certain regions.

<sup>3</sup> For the EU region, this product is compliant with CE regulations and operates within the following frequency ranges: 2.4 - 2.4835 GHz, 5.150 - 5.250 GHz, 5.250 - 5.350 GHz, and 5.470 - 5.750 GHz.