

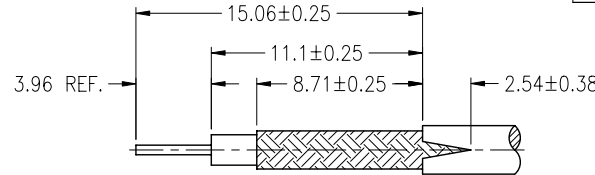
NOTES:

- MATERIALS AND FINISHES(PLATING THICKNESS IN MICRO-INCHES):
 BODY - BRASS, NICKEL PLATING
 CONTACT - BRASS, GOLD PLATING
 INSULATOR - PTFE, NATURAL
- ELECTRICAL:
 A. IMPEDANCE: 50 OHM
 B. FREQUENCY RANGE: DC 0-4 GHz
 C. DIELECTRIC WITHSTANDING VOLTAGE: 1500 VRMS, MIN.
- MECHANICAL:
 A. DURABILITY: 500 CYCLES MIN.
 B. TEMPERATURE RANGE: - 65°C to +165°C
- SOLDER CONTACT TO CABLE
 WHEN CRIMPING CONTACT PIN TO CABLE, CRIMP WITH AMPHENOL TOOL 227-944 (M22520/5-01) AND DIE SET 227-1221-09, CAVITY 'B' (M22520/5-09, CLOSURE 'B')
- WHEN CRIMPING FERRULE TO CABLE, CRIMP WITH AMPHENOL TOOL 227-944 (M22520/5-01) AND DIE SET 227-1221-09, CAVITY 'A' (M22520/5-09, CLOSURE 'A')
- USE WITH BELDEN 9221 AND RG-179/U & 187/U CABLES.

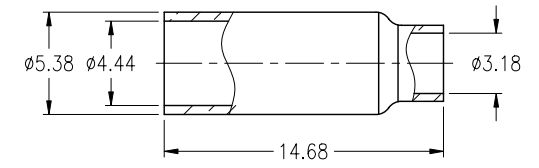
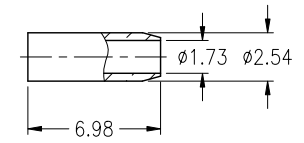
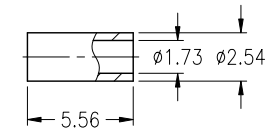
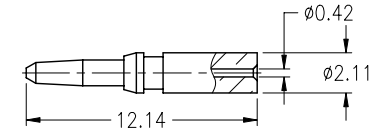
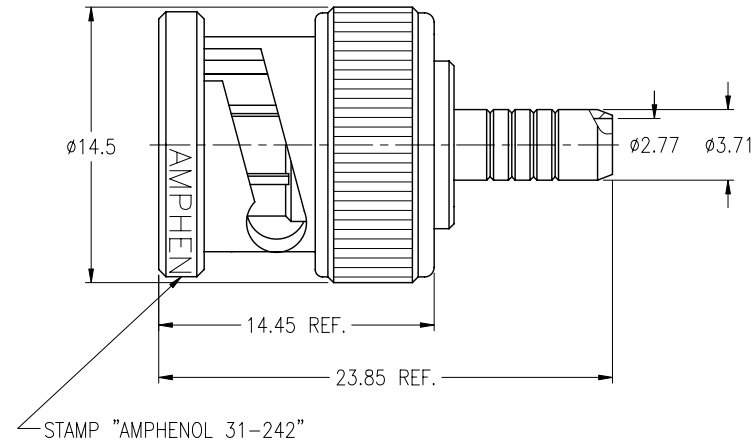
THIRD ANGLE PROJ.

REVISIONS

REV	DESCRIPTION	DATE	ECO	APPR
A2	STAMP WAS CHANGED\N/A	16-Dec-02	--	TONY
A3	APPEARANCE WAS CHANGED	15-Apr-03	--	TONY
A4	SEE SHEET 1	30-Jun-05	--	SH
B	SEE SHEET 1	06-Mar-08	--	AW
R	SEE SHEET 1	17-Mar-10	47921	SH
S	NOTE 4 WAS CHANGED\RD-DM11011001T1	12-Jan-11	48420	SH



RECOMMENDED
CABLE STRIPPING DIM'S



THIS CONNECTOR IS COVERED BY U.S. PATENT 3439294

CUSTOMER OUTLINE DRAWING
ALL OTHER SHEETS ARE FOR INTERNAL USE ONLY

UNLESS OTHERWISE SPECIFIED, DIMENSIONS ARE IN METRIC AND TOLERANCES ARE: < 0.5mm ±0.05mm 0.5 - 6mm ±0.1mm 6 - 30mm ±0.2mm 30 - 120mm ± 0.3mm ANGLES ±1°	MATERIAL	DRAWN T.DENG	DATE 12-Jan-11	TITLE BNC PLUG MINIATURE COAX CABLE			Amphenol RF	
	REFERENCE	ENGINEER S.LI	DATE 12-Jan-11				Danbury CT USA, Tainan Taiwan, Shenzhen China www.amphenolrf.com	
		APPROVED S.HSIEH	DATE 12-Jan-11	DRAWING NO. 31-242				
	FINISH	CAD FILE F:\DWG\CNPD\31\242-SSZ	SCALE:2.5/1	SHEET 2 OF 2	ITEM NO. 31-242	PART NO. 31-242		

NOTICE - These drawings, specifications, or other data (1) are, and remain the property of Amphenol Corp. (2) must be returned upon request; and (3) are confidential and not to be disclosed to any person other than those to whom they are given by Amphenol Corp. The furnishing of these drawings, specifications, or other data by Amphenol Corp., or to any other person to anyone for any purpose is not to be regarded by implication or otherwise in any manner licensing, granting rights or permitting such holder or any other person to manufacture, use or sell any product, process or design, patented or otherwise, that may in any way be related to or disclosed by said drawings, specifications, or other data.