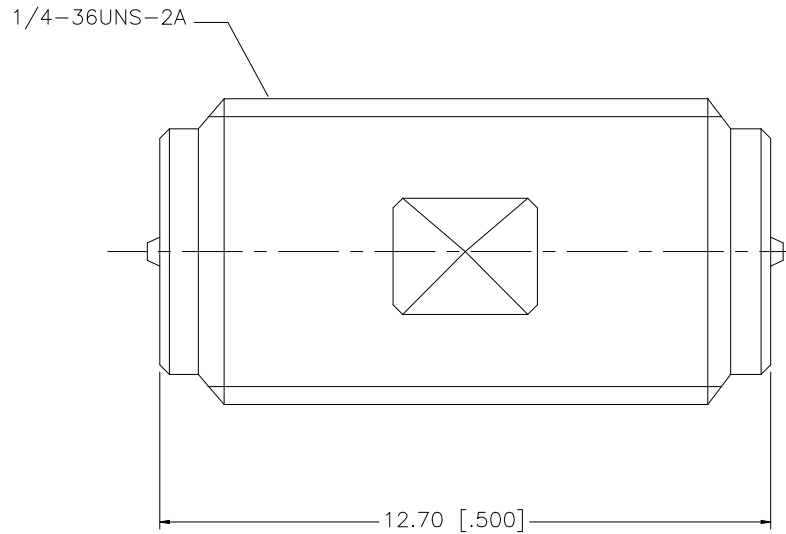


REV.	DATE	ECR NO.	DESCRIPTION
NC	03/25/08	-	INITIAL RELEASE
A	11/22/08	-	REVISE BODY CONFIGURATION



8				<small>UNLESS OTHERWISE SPECIFIED DIMENSIONS ARE IN MILLIMETERS. DIMENSIONS IN [] ARE IN INCHES AND FOR CUSTOMER REFERENCE ONLY.</small> <small>UNLESS OTHERWISE SPECIFIED TOLERANCES FOR MILLIMETERS ARE:</small> 0.5 - 8mm ± 0.20mm 8 - 30mm ± 0.40mm 30 - 120mm ± 0.50mm <small>UNLESS OTHERWISE SPECIFIED TOLERANCES FOR INCHES ARE:</small> .020 - .315 = ± 0.007" .315 - 1.180 = ± 0.015" 1.180 - 4.724 = ± 0.020"	APPROVALS	DATE	<h1 style="color: blue; text-align: center;">Amphenol Connex</h1>						
7					DRAWN	GRS					11/22/08	PART DESCRIPTION <h2 style="text-align: center;">SMA R/P JACK TO R/P JACK</h2>	
6						CHECKED		PART NO. <h2 style="text-align: center;">132169RP-RP</h2>					
5						ISSUED						DWG. NO. 132169RP-RP.DWG <table style="width: 100%; border: none;"> <tr> <td style="width: 25%; border: none;">REV. A</td> <td style="width: 25%; border: none;">SIZE A</td> <td style="width: 25%; border: none;">SCALE NA</td> </tr> </table>	
REV. A	SIZE A	SCALE NA											
4					SHEET	1 OF 1							
3	CONTACT PIN	BRASS	GOLD	1	CAD FILE								
2	INSULATOR	PTFE	NATURAL	1	C:/132/132169RP-RP.DWG								
1	HOUSING/BODY	BRASS	GOLD	1	DO NOT SCALE DRAWING								
	DESCRIPTION	MATERIAL	FINISH	QTY									