

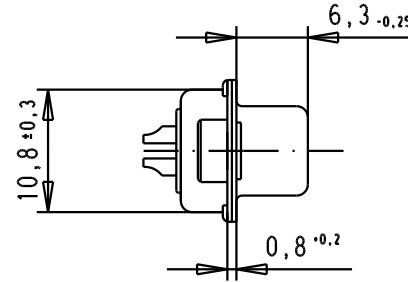
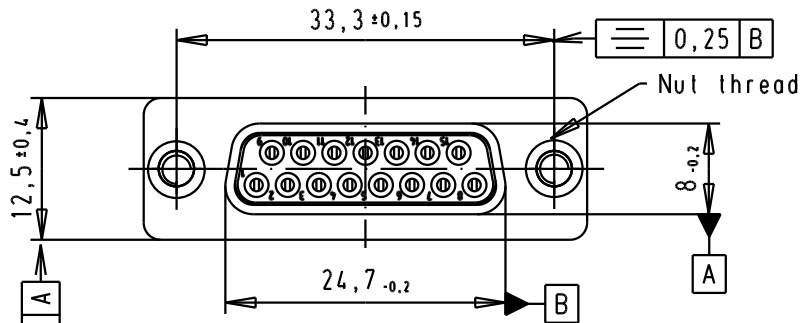
5

4

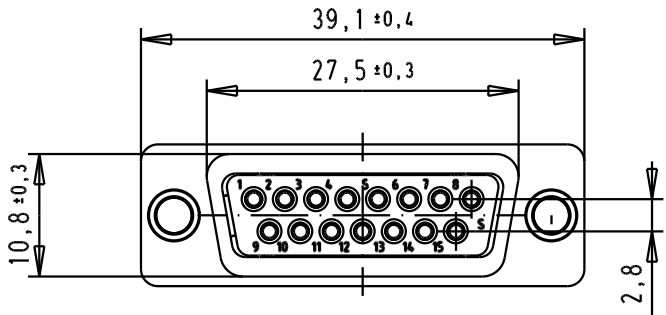
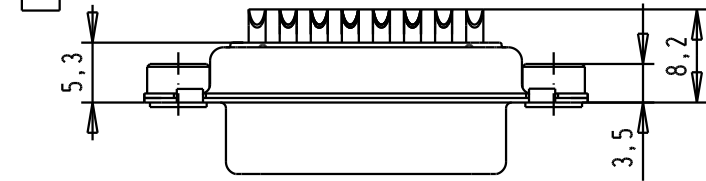
3

2

1



Solder Bucket for AWG 20



SPECIFICATION

Mating Cycles	500
Capacitance	1000pf ± 20%
Working Voltage	100v
Current Rating	7.5A
Insulation Resistance	>1GΩ

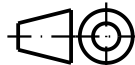
FREQUENCY (MHz)	ATTENUATION (dB)
5	1dB
10	3dB
50	12dB
100	20dB
500	34dB
1000	30dB

D

C

B

A

	Dat.	Name	 All Dim. in mm Orig. Size DIN A 4
Detail.	8-JUL-02	CV	
Insp.			
Stand.			

D-Sub, Female, Straight  
 15 Poles, with turned solder  
 bucket and clinch nut

Mo?MsTab/  
 Scale  
 1.5:1

09642117238	M3	32963	11/07/05	JMDR
09642117237	UNC 4-40	31058	8-JUL-02	CV
Part number	Nut thread	Mod.	Dat.	Name

HARTING EURL  
 F-95972 Paris



TB 0964211723x  
 Sub.

Blatt/ Page  
 1 / 1