

# ABS-259-RC 20x40x11mm 8OHM DYNAMIC SPEAKER

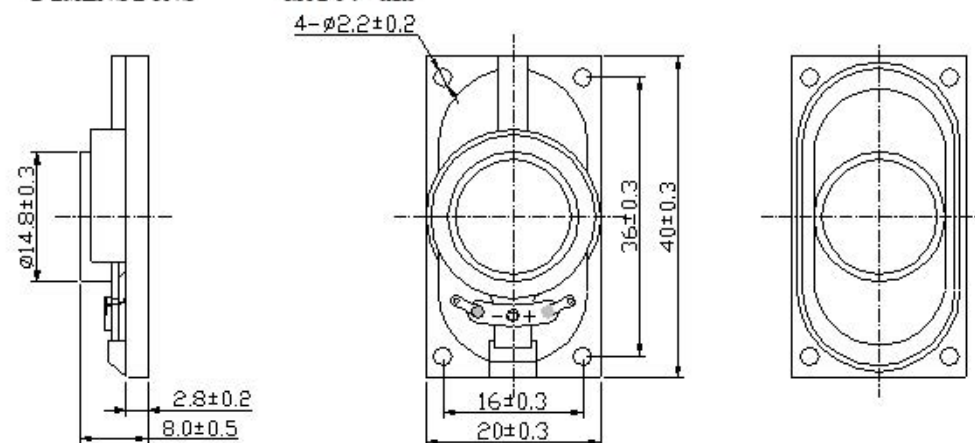
SPEAKERS

## Specifications

	ABS-259-RC
Rated impedance	8±15%Ω 1KHz/FX
Rated input power	F.5W
Max. input power	3W
Resonant frequency F <sub>0</sub>	450±20% Hz/1V
Frequency range	F0Hz-20,000Hz
Sound pressure level at (AVG 0.8, 1.0, 1.2, 1.5)KHz 1W/0.5m	84±3dB
Total harmonic distortion	5%MAX. at 1KHz, 1V
Voice coil diameter	dia. 11.75mm
Flux density	1.0T
Magnet (NdFeB)	dia. 11x2.0mm
Operating temperature	-20~+60°C
Storage temperature	-20~+60°C
Weight	7.5g

## DIMENSIONS

unit: mm



## Material

Yoke - 1.0T	PCB - Fe+Paper
Diaphragm/Cone - Cloth	Plate - 0.8t
Voice coil - Self bonding wire	Magnet - NdFeB
Frame - Plastic	Dust Cap - Paper
	Damper - Silk cloth



Alan Butcher Components

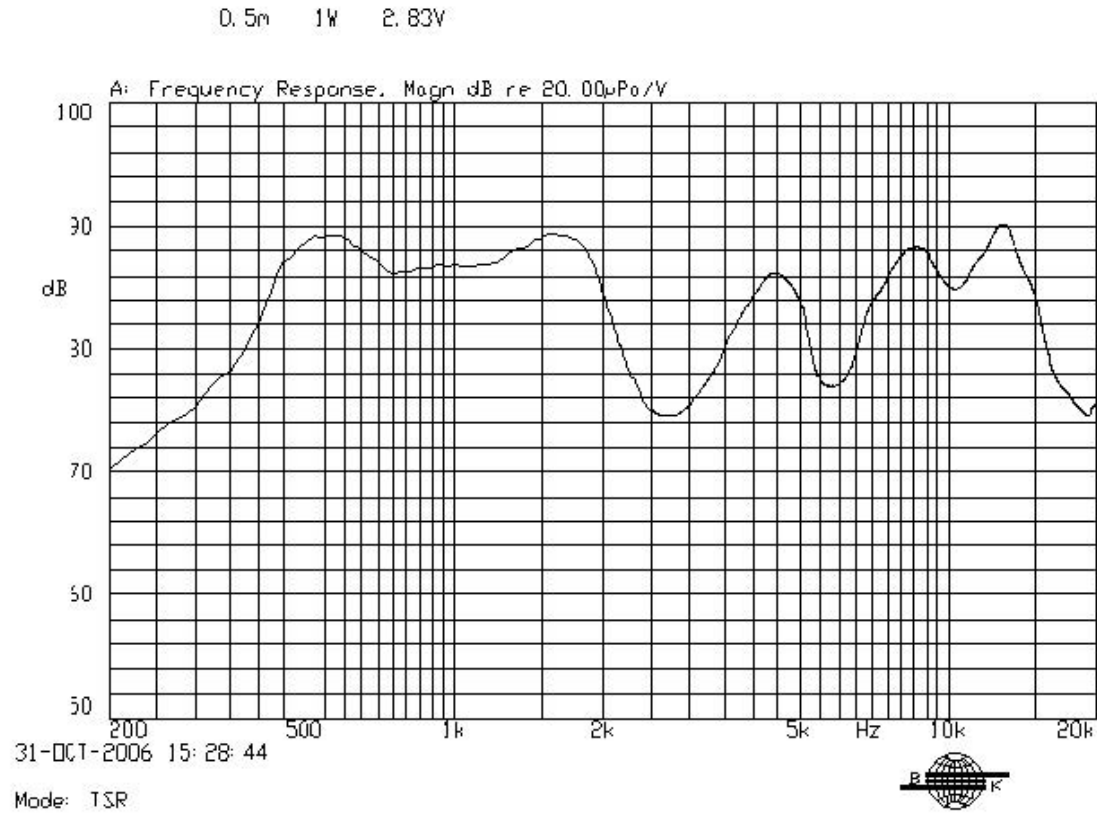
Alan Butcher Components Ltd

Unit 1 Beechwood Clump Farm Industrial Estate Tin Pot Lane Blandford Dorset DT11 7TD

Telephone 01258 456360 Email sales@abcomponents.co.uk

www.abcomponents.co.uk

# ABS-259-RC 20x40x8tmm 8OHM DYNAMIC SPEAKER - Frequency Response Curve SPEAKERS



Alan Butcher Components

**Alan Butcher Components Ltd**

Unit 1 Beechwood Clump Farm Industrial Estate Tin Pot Lane Blandford Dorset DT11 7TD

Telephone 01258 456360 Email [sales@abcomponents.co.uk](mailto:sales@abcomponents.co.uk)

[www.abcomponents.co.uk](http://www.abcomponents.co.uk)