

Socketless FC332, 2556

Socketless
Fittings

Socketless
Armaturen

Raccords
réutilisables
„Socketless“

Raccordi
riutilizzabili
“Socketless”

Racores
reutilizables
“Socketless”

32

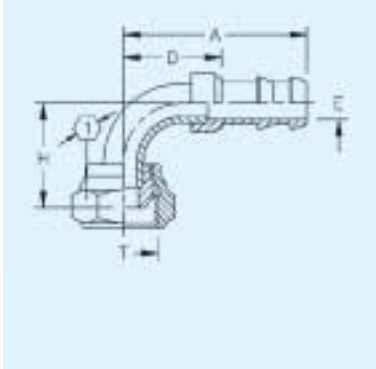
BSP Female
Swivel, 90° Elbow

BSP-Dichtkopf,
90° Krümmer

Globeseal BSP
coudé 90°

Femmina girevole
a 90°, gas

Hembra loca BSP
acodado a 90°



Part Number	Thread T	Flange	Tube O.D. mm	Hose ND	Hose Size	A mm	D mm	H mm	E Ø mm	K Ø mm	R Ø mm	HEX [1]	HEX [2]	Nut
11.140-4-4	G 1/4"			6	-4	40	18	22	4				17	
11.140-6-6	G 3/8"			10	-6	49	27	29	7				22	
11.140-8-8	G 1/2"			12	-8	56	30	32	9				27	
11.140-10-10	G 5/8"			16	-10	73	33	36	12				27	
11.140-12-12	G 3/4"			19	-12	87	48	51	14				32	

Hose cap must be ordered separately.

Schlauchkappe muss separat bestellt werden.

Le bouchon de tuyauterie être commandé séparément.

Tappo del tubo flessibile deve essere ordinata esclusivamente.

El casquillo de la manguera se debe pedir por separado.

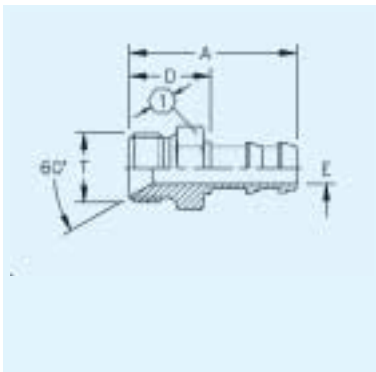
BSP Male Parallel

Außengewinde-
anschluss/BSP

Mâle BSP
cylindrique, cone
60°

Maschio gas

Macho fijo/BSP



Part Number	Thread T	Flange	Tube O.D. mm	Hose ND	Hose Size	A mm	D mm	H mm	E Ø mm	K Ø mm	R Ø mm	HEX [1]	HEX [2]	Nut
11.122-4-4	G 1/4"			6	-4	40	20		4				14	
11.122-6-6	G 3/8"			10	-6	44	22		8				17	
11.122-8-8	G 1/2"			12	-8	50	24		10				22	
11.122-12-12	G 3/4"			19	-12	67	28		16				27	

Hose cap must be ordered separately.

Schlauchkappe muss separat bestellt werden.

Le bouchon de tuyauterie être commandé séparément.

Tappo del tubo flessibile deve essere ordinata esclusivamente.

El casquillo de la manguera se debe pedir por separado.

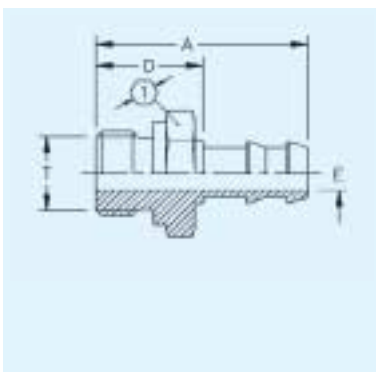
BSP Male Parallel

Außengewinde-
anschluss/BSP,
Dichtkante Form
"B"

Mâle BSP
cylindrique, face
plate

Maschio gas

Macho fijo/BSP
asentamiento
plano



Part Number	Thread T	Flange	Tube O.D. mm	Hose ND	Hose Size	A mm	D mm	H mm	E Ø mm	K Ø mm	R Ø mm	HEX [1]	HEX [2]	Nut
11.144-4-4	G 1/4"			6	-4	42	23		4				19	
11.144-6-6	G 3/8"			10	-6	46	24		8				22	
11.144-8-8	G 1/2"			12	-8	52	26		10				27	
11.144-12-12	G 3/4"			19	-12	66,5	28,5		15,5				32	

Hose cap must be ordered separately.

Schlauchkappe muss separat bestellt werden.

Le bouchon de tuyauterie être commandé séparément.

Tappo del tubo flessibile deve essere ordinata esclusivamente.

El casquillo de la manguera se debe pedir por separado.