

250V 12A

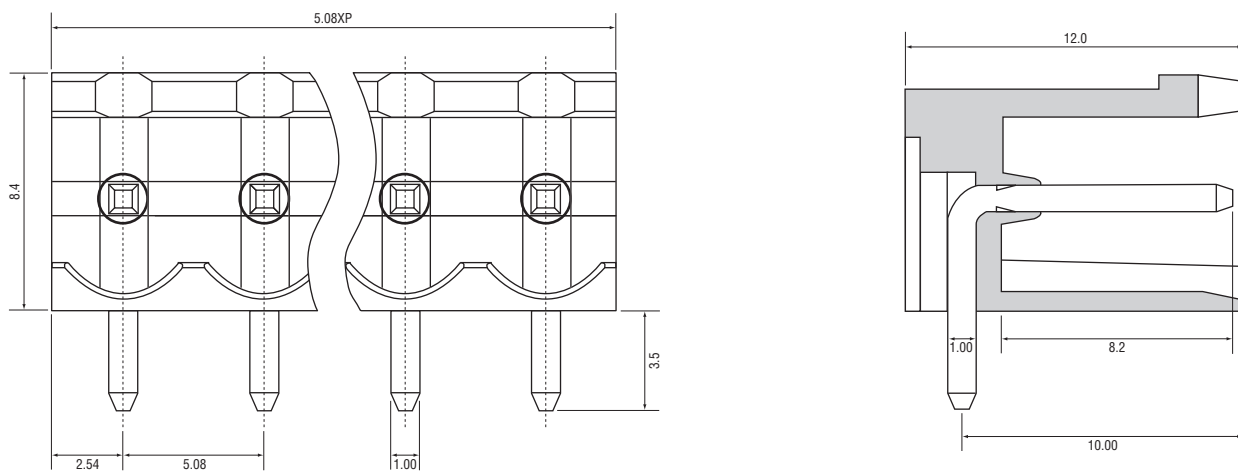
Poles: 2P-24P
 Pitch: 5.08mm & 10.16mm Pin
 Dimension: 1.0 x 1.0mm

Materials:

Housing: Polyamide 6.6, Green Solder pin: Brass, 1.0t, tin plated



Measurements in millimetres



Order code	Poles
21-2848	2
21-2849	3
21-2850	4
21-2851	5
21-2852	6
21-2880	7
21-2853	8
21-2884	9
21-2854	10
21-2855	12