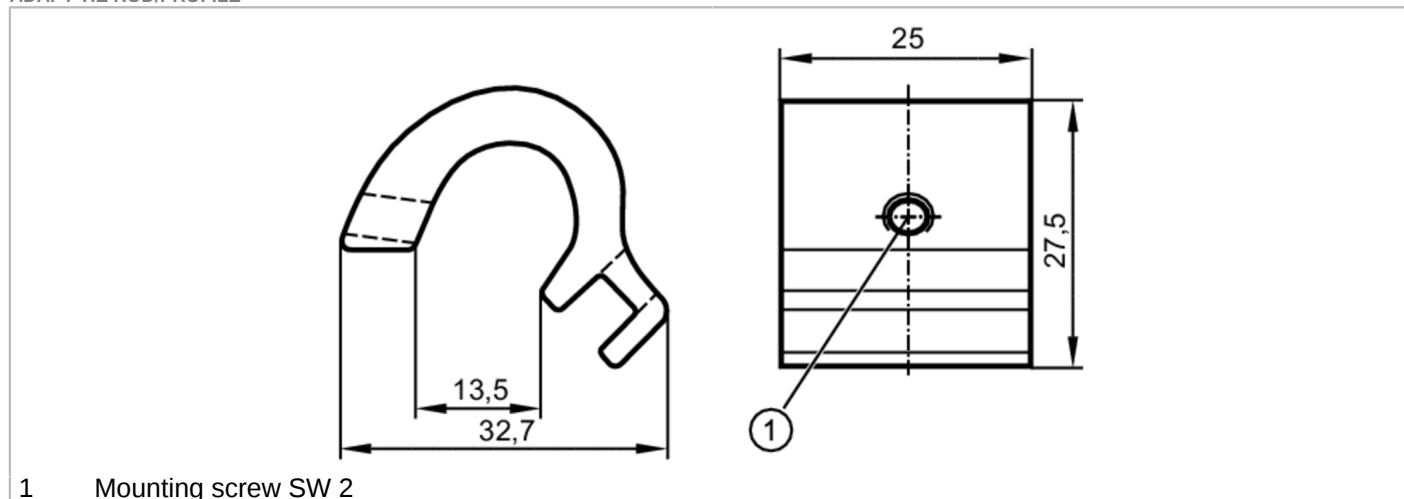


E12232



Mounting adapter for tie-rod/integrated profile cylinders

ADAPT TIE ROD/PROFILE



1 Mounting screw SW 2

Application	
Design	for types MKT, for types MKT
Mechanical data	
Weight [g]	20.2
Materials	aluminium; screw: stainless steel
Tightening torque [Nm]	0.5
Clamping range [mm]	9...13.5
Remarks	
Pack quantity	1 pcs.