

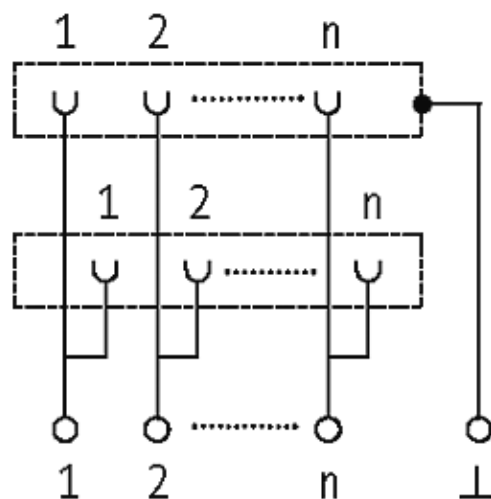
SV-2 X SUB D 37 -KL. FOR SIGNAL TRANSFER

125 VAC/DC / 2 A

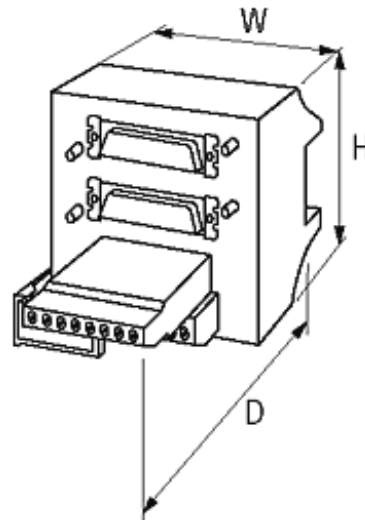
Female connector
37-pole
Screw terminals

[Link to Product](#)

Illustration



Picture: female

stay connected

Product may differ from Image

Technical Data

| | |
|---------------------------|------------------------------------------------|
| Operating voltage | max. 125 V AC/150 V DC |
| Operating current per bit | max. 2 A |
| Material group | (EN 60664-1) over voltage, category I |
| Plug connector | Standard UNC 4-40 screw thread bolt (EN 60807) |

General data

| | |
|----------------------|-------------------------------|
| Mounting method | DIN-rail mountable (EN 60715) |
| Temperature range | -20...+70 °C |
| Dimensions H × W × D | 86×90×78 mm |

Commercial data

| | |
|------------------------|----------|
| country of origin | CZ |
| customs tariff number | 85369010 |
| minimum order quantity | 1 |