

MASI67 I/O MODULE

8 digital inputs

Digital inputs

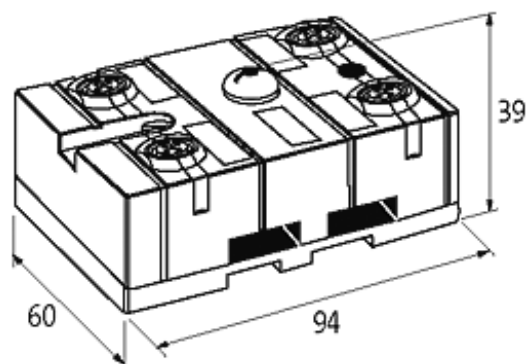
DI8 - 0.24 A (AB) 4xM12

Double assignment of M12 females, PIN 2 + 4

For connection cables please see chapter "Connection Technology" All housings are fully potted

[Link to Product](#)

Illustration



Product may differ from Image

Approvals



Input	
Sensor supply US	max. 240 mA from AS-Interface (short-circuit and overload protected)
Type	for 3-wire sensors or mechanical switches, PNP, (EN 61131-2)
Technical Data	
Bus voltage (AS-Interface)	26.5...31.6 V DC
Total current	max. 290 mA
Addressing	via built-in address port or master
Address range	2 × 1...62 (2 × 1...31 A or B)
Profile (IO/ID/ID2 code)	S-0.A.2
Double assignment of M12 female	yes
PIN 2 and PIN 4 of M12 female bridged	no
General data	
Protection	IP67
Mounting method	DIN-rail mountable (EN 60715) or screw fixing
Temperature range	-20...+60 °C (storage temperature -20...+70 °C)
Dimensions H × W × D	94×60×39 mm
Diagnostic	
Communication status	via LED
Diagnostic via LED	per module
Monitoring - no voltage	yes
Commercial data	
country of origin	DE
customs tariff number	85176200
minimum order quantity	1