



ACCESSORY FOR 3KD FRAME SIZE 2 NEUTRAL
TERMINAL WITH REMOVABLE JUMPER FLAT
TERMINAL

Model		
product brand name		SENTRON
Product designation		Accessories for switch disconnectors
Design of the product		Neutral conductor terminal

Suitability		
Suitability for use		For 3KD size 2

Product details		
Product description		With removable jumper
Height	mm	130
Depth	mm	60.5

General Product Approval



Further information

Information- and Downloadcenter (Catalogs, Brochures,...)

<http://www.siemens.com/lowvoltage/catalogs>

Industry Mall (Online ordering system)

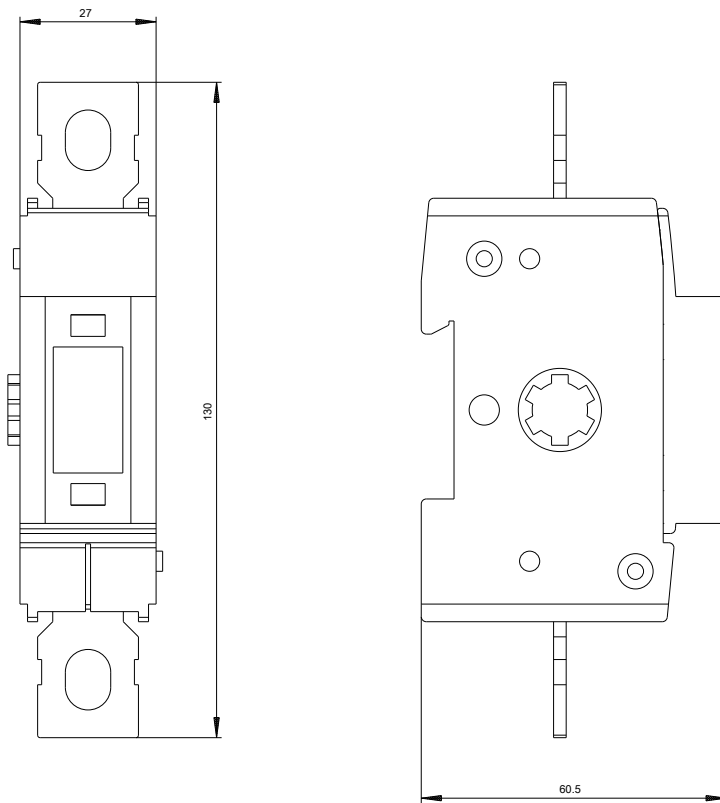
<https://eb.automation.siemens.com/mall/en/WW/Catalog/Product/3KD92060>

Service&Support (Manuals, Certificates, Characteristics, FAQs,...)

<http://support.automation.siemens.com/WW/view/en/3KD92060/all>

Image database (product images, 2D dimension drawings, 3D models, device circuit diagrams, ...)

http://www.automation.siemens.com/bilddb/cax_en.aspx?mlfb=3KD92060



last modified:

11.03.2015