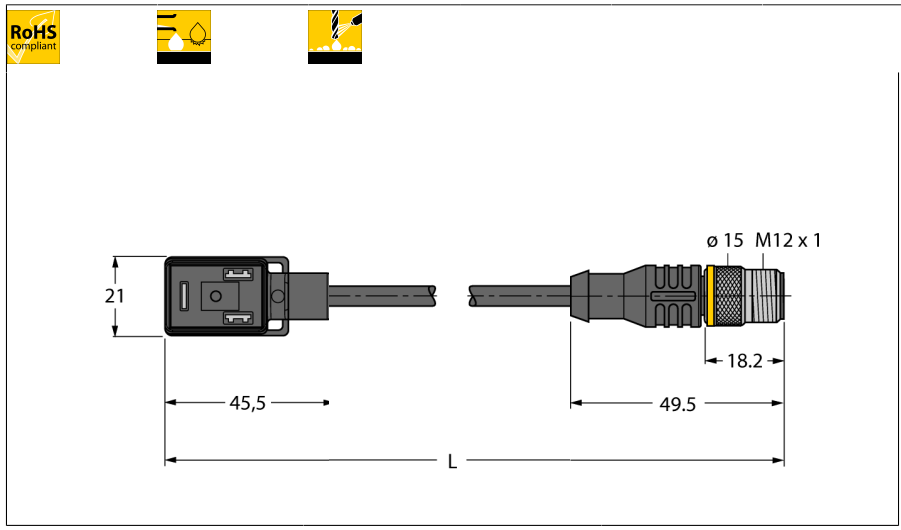


**Valve connector BI type
Extension Cable
VIS02-S80E-2-RSC5.31T/TEL**

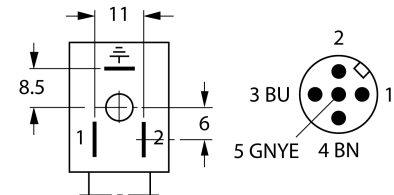


- 2-pin + PE
- Design according to the DIN EN 175301-803
- RoHS conform
- Protection class: IP67 and IP69K
- Protective component: Transil diode
- M12 male, straight, 2-pin + PE
- Sheath material: PVC
- Sheath color: black
- Resistant to chemicals and oils
- Flame retardant
- Resistant to acids and alkaline solutions
- Resistant to microbes and hydrolysis
- LABS-free
- Cable length: 2.0 m

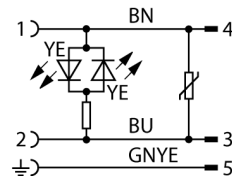
Type designation	VIS02-S80E-2-RSC5.31T/TEL
Ident no.	6606864

Connector A side	Valve connector, Design BI
Number of pins	2+PE
Contacts	Metal, CuSn, Silver-plated
Contact carriers	Plastic, PA, Black
Grip	Plastic, TPU, Black/Translucent
Protective component	Transil diode
Seal	Plastic, TPU
Protection class	IP67, IP69K, (mounted)
Display switch state	LED yellow/yellow
Mechanical lifespan	> 100 Mating cycles
Pollution degree	3

Pin Assignment



Circuit Diagram



Connector B side	Connector, M12 x 1, Straight
Number of pins	2+PE pins
Contacts	metal, CuZn, Gold-plated
Contact carriers	Plastic, TPU, Black
Grip	Plastic, TPU, Black
Coupling nut/screw	Brass, CuZn, Nickel-plated
Protection class	IP67, IP69K, Only when screwed tight
Mechanical lifespan	> 100 Mating cycles
Pollution degree	3
Tightening torque	0.8 ... 1 Nm

General data	
Cable diameter	5.3 ± 0.20mm
Cable length	2 m
Cable quality	PVC
Cable color	Black
Core insulation	PVC
Core colors	BN, BU, GNYE
Core cross-section	3x0.34mm ²
Arrangement of strands	19x0.15 mm

Electrical features at +20 °C	
Current	4 A
Rated voltage	24 V
Insulation resistance	> 1 MΩ/km
Test voltage	2000 V
Forward resistance	max. 57 Ω/km

Valve connector BI type
Extension Cable
VIS02-S80E-2-RSC5.31T/TEL

Mechanical and chemical properties

Bending radius (stationary laying)	> 5 x Ø
Bending radius (flexible use)	> 10 x Ø
Ambient temperature	
Stationary	-40...+105°C
In motion	0...+80°C