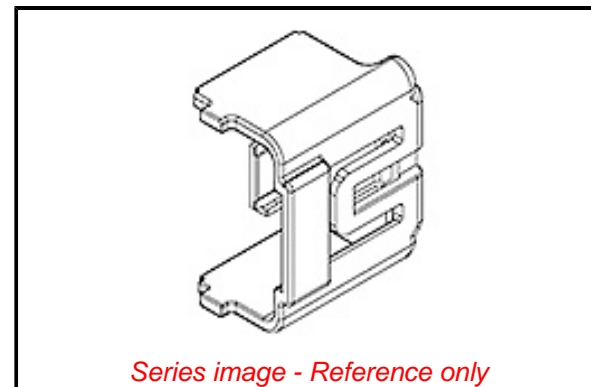


**PLEASE CHECK WWW.MOLEX.COM FOR LATEST PART INFORMATION**

**Part Number:** [5055940211](#)  
**Status:** **Active**  
**Overview:** MUO 2.5 Termination Connectors  
**Description:** MUO 2.5 Wire-to-Wire Terminal Position Assurance (TPA) Retainer, 2.50mm Pitch, 2 Circuits, Gray

**Documents:**

<a href="#">Drawing (PDF)</a>	<a href="#">Packaging Specification 5055949200-200 (PDF)</a>
<a href="#">Product Specification 5055960000-PS-000 (PDF)</a>	<a href="#">RoHS Certificate of Compliance (PDF)</a>
<a href="#">Application Specification 5055960000-AS-000 (PDF)</a>	<a href="#">Product Literature (PDF)</a>
<a href="#">Application Specification 5055960000-AS-001 (PDF)</a>	



**General**

Product Family	Accessories
Series	<a href="#">505594</a>
Component Type	Terminal Position Assurance
Overview	<a href="#">MUO 2.5 Termination Connectors</a>
Product Literature Order No	987651-7182
Product Name	MUO 2.5, TPA - Term Pos Assurance
UPC	889056530545

**Physical**

Circuits (Loaded)	2
Circuits (maximum)	2
Color - Resin	Gray
Material - Resin	Polyester
Net Weight	234.000/mg
Number of Rows	2
Packaging Type	Bag
Temperature Range - Operating	-40°C to +105°C

**Material Info**

**Reference - Drawing Numbers**

Application Specification	5055960000-AS-000, 5055960000-AS-001
Packaging Specification	5055949200-200
Product Specification	5055960000-PS-000
Sales Drawing	5055940000-SD-000

**EU ELV**

**Not Relevant**

**EU RoHS**

**Compliant**

**REACH SVHC**

Not Contained Per -  
ED/30/2017 (7 July  
2017)

**Halogen-Free**

**Status**

**Not Low-Halogen**

**Need more information on product environmental compliance?**

Email [productcompliance@molex.com](mailto:productcompliance@molex.com)  
Please visit the [Contact Us](#) section for any non-product compliance questions.

China ROHS

ELV

RoHS Phthalates

Green Image

Not Relevant

Not Contained

**Search Parts in this Series**

[505594 Series](#)

**Use With**

MUO 2.5 Housing [505596](#)