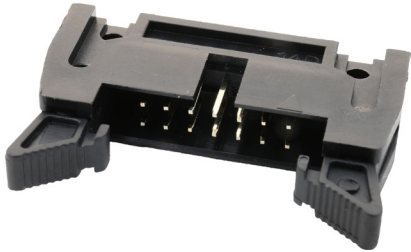


# 2.54mm Shrouded Header with Ejector

## Double Row, Right Angle, Through Hole Type

**multicomp** PRO

**RoHS  
Compliant**



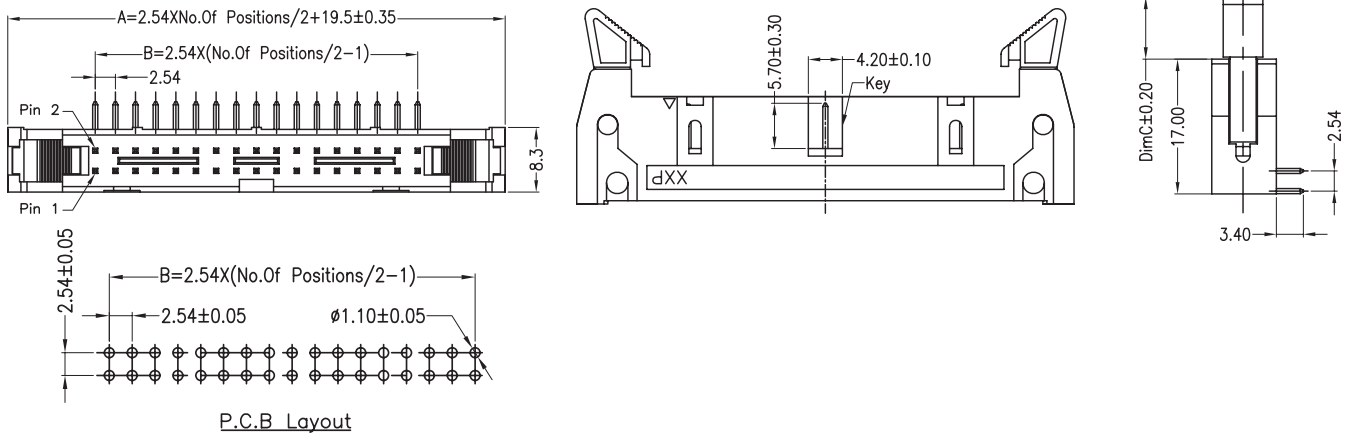
### Specifications

Current Rating	: 3A AC/DC
Voltage Rating	: 250V AC/DC
Contact Resistance	: 20mΩ Max.
Insulation Resistance	: 1000MΩ Min.
Withstanding Voltage	: 600V AC for one minute
Operating Temperature Range	: -40°C to +105°C

### Materials and Finish

Plastic	: PBT (UL94V-0)
Standard Colour	: Black
Contact	: Copper Alloy
Plating	: Gold Plated

### Diagram



Dimensions : Millimetres

### Part Number Table

Description	Dimensions			Part Number
	A	B	C	
Header, R/A, 2.54mm, 10POS, 2Row, Short Ejector, TH	32.2mm	10.16mm	7.5mm	MC-254-10-SL-RA-DIP
Header, R/A, 2.54mm, 14POS, 2Row, Short Ejector, TH	37.28mm	15.24mm		MC-254-14-SL-RA-DIP
Header, R/A, 2.54mm, 16POS, 2Row, Short Ejector, TH	39.82mm	17.78mm		MC-254-16-SL-RA-DIP
Header, R/A, 2.54mm, 20POS, 2Row, Short Ejector, TH	44.9mm	22.86mm		MC-254-20-SL-RA-DIP
Header, R/A, 2.54mm, 26POS, 2Row, Short Ejector, TH	52.52mm	30.48mm		MC-254-26-SL-RA-DIP
Header, R/A, 2.54mm, 34POS, 2Row, Short Ejector, TH	62.68mm	40.64mm		MC-254-34-SL-RA-DIP
Header, R/A, 2.54mm, 40POS, 2Row, Short Ejector, TH	70.3mm	48.26mm		MC-254-40-SL-RA-DIP
Header, R/A, 2.54mm, 50POS, 2Row, Short Ejector, TH	83mm	60.96mm		MC-254-50-SL-RA-DIP
Header, R/A, 2.54mm, 60POS, 2Row, Short Ejector, TH	95.7mm	73.66mm		MC-254-60-SL-RA-DIP
Header, R/A, 2.54mm, 64POS, 2Row, Short Ejector, TH	100.78mm	78.74mm		MC-254-64-SL-RA-DIP

Newark.com/multicomp-pro  
Farnell.com/multicomp-pro  
Element14.com/multicomp-pro

**multicomp** PRO

## 2.54mm Shrouded Header with Ejector Double Row, Right Angle, Through Hole Type

**multicomp** PRO

Description	Dimensions			Part Number
	A	B	C	
Header, R/A, 2.54mm, 10POS, 2Row, Long Ejector, TH	32.2mm	10.16mm	10.8mm	MC-254-10-LL-RA-DIP
Header, R/A, 2.54mm, 14POS, 2Row, Long Ejector, TH	37.28mm	15.24mm		MC-254-14-LL-RA-DIP
Header, R/A, 2.54mm, 16POS, 2Row, Long Ejector, TH	39.82mm	17.78mm		MC-254-16-LL-RA-DIP
Header, R/A, 2.54mm, 20POS, 2Row, Long Ejector, TH	44.9mm	22.86mm		MC-254-20-LL-RA-DIP
Header, R/A, 2.54mm, 26POS, 2Row, Long Ejector, TH	52.52mm	30.48mm		MC-254-26-LL-RA-DIP
Header, R/A, 2.54mm, 34POS, 2Row, Long Ejector, TH	62.68mm	40.64mm		MC-254-34-LL-RA-DIP
Header, R/A, 2.54mm, 40POS, 2Row, Long Ejector, TH	70.3mm	48.26mm		MC-254-40-LL-RA-DIP
Header, R/A, 2.54mm, 50POS, 2Row, Long Ejector, TH	83mm	60.96mm		MC-254-50-LL-RA-DIP
Header, R/A, 2.54mm, 60POS, 2Row, Long Ejector, TH	95.7mm	73.66mm		MC-254-60-LL-RA-DIP
Header, R/A, 2.54mm, 64POS, 2Row, Long Ejector, TH	100.78mm	78.74mm		MC-254-64-LL-RA-DIP

**Important Notice :** This data sheet and its contents (the "Information") belong to the members of the AVNET group of companies (the "Group") or are licensed to it. No licence is granted for the use of it other than for information purposes in connection with the products to which it relates. No licence of any intellectual property rights is granted. The Information is subject to change without notice and replaces all data sheets previously supplied. The Information supplied is believed to be accurate but the Group assumes no responsibility for its accuracy or completeness, any error in or omission from it or for any use made of it. Users of this data sheet should check for themselves the Information and the suitability of the products for their purpose and not make any assumptions based on information included or omitted. Liability for loss or damage resulting from any reliance on the Information or use of it (including liability resulting from negligence or where the Group was aware of the possibility of such loss or damage arising) is excluded. This will not operate to limit or restrict the Group's liability for death or personal injury resulting from its negligence. Multicomp Pro is the registered trademark of Premier Farnell Limited 2019.

Newark.com/multicomp-pro  
Farnell.com/multicomp-pro  
Element14.com/multicomp-pro

**multicomp** PRO