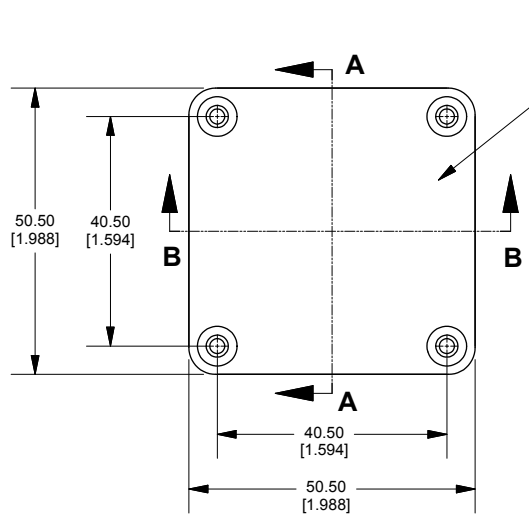
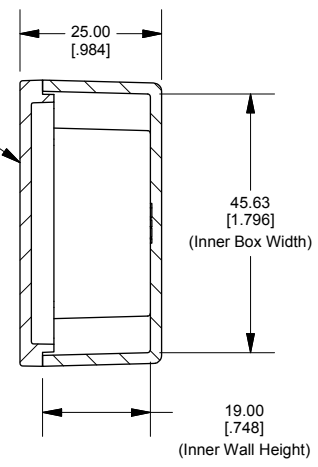


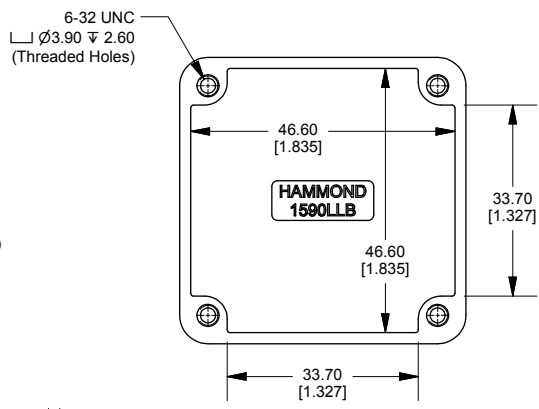
Top View of Assembly



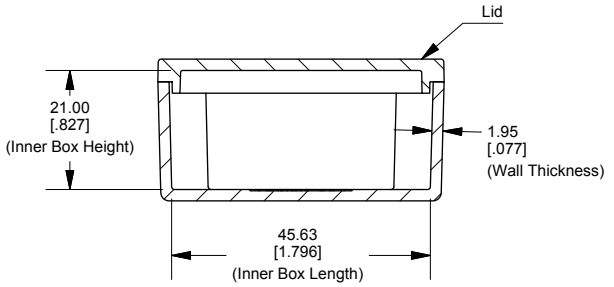
SECTION A-A End View of Assembly



Top View Looking Inside Box



SECTION B-B Side View of Assembly

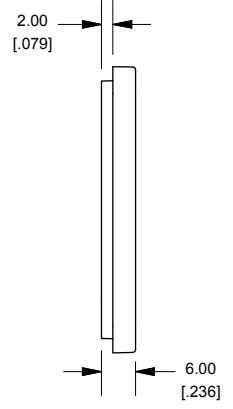
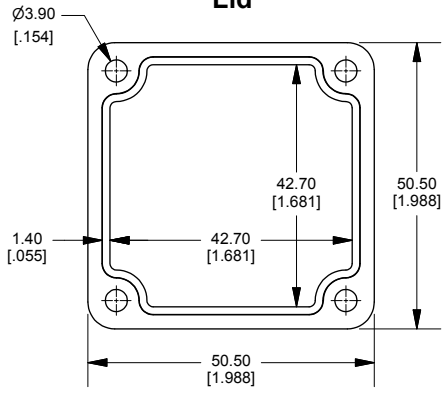


Enclosures can be Factory Modified (Milling, Drilling, Printing etc.)
 Contact Factory mjm@hammondmfg.com for quotes
 Solid models of this enclosure available in STEP or IGES.

NOTE	
Purchased assembly includes box, lid and 4 cover screws.	
Box and lid are made from Diecast Aluminum Alloy.	
Silicone Gasket supplied with liquid resistant enclosure.	

PART NUMBERS	
1590LLB Enclosure	
Natural Finish Enclosure	1590LLB
Black Textured Enclosure	1590LLBBK
1590LLB Liquid Resistant Enclosure (Silicone Gasket)	
Natural Finish Enclosure	1590WLLB
Black Textured Enclosure	1590WLLBBK
ACCESSORIES	
Recommended Torque: 75 ozf.in / 55 cN.m	
Liquid Resistant Cover Screws	
Stainless Steel Cover Screws (Pkg 100)	
[6-32 x 1/2" With O-Ring]	1590WMS100
Black Stainless Steel Cover Screws (Pkg 100)	
[6-32 x 1/2" With O-Ring]	1590WMS100BK
Standard Cover Screws	
Plated Cover Screws (Pkg 100)	
[6-32 x 1/2"]	1590MS100
Black Cover Screws (Pkg 100)	
[6-32 x 1/2"]	1590MS100BK

Lid



Dimensions:
mm
[inches]

HAMMOND MANUFACTURING™
1590LLB
www.hammondmfg.com