

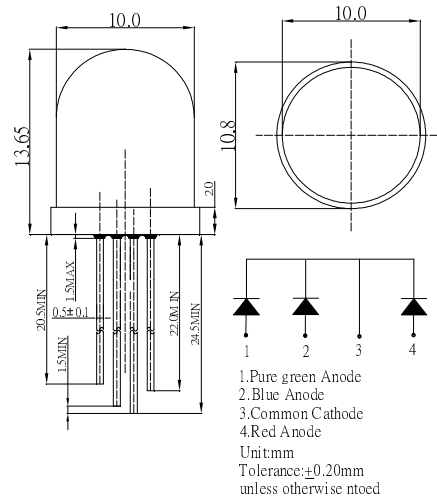
### ■Features

- High Luminous Output
- 10mm Standard Directivity
- Superior Weather-resistance
- White Diffused Type
- Common Cathode Type

### ■Applications

- Toys
- Games
- Audio
- Other Lighting

### ■Outline Dimension

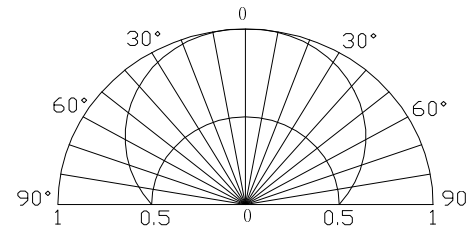


### ■Absolute Maximum Rating (Ta=25°C)

Item	Symbol	Value		Unit
		Red	Green/Blue	
DC Forward Current	I <sub>F</sub>	50	30	mA
Pulse Forward Current*	I <sub>FP</sub>	120	100	mA
Reverse Voltage	V <sub>R</sub>	5	5	V
Power Dissipation	P <sub>D</sub>	130	108	mW
Operating Temperature	Topr	-30 ~ +85		°C
Storage Temperature	Tstg	-40 ~ +100		°C
Lead Soldering Temperature	Tsol	260°C/5sec		-

\*Pulse width Max.10ms Duty ratio max 1/10

### ■Directivity



### ■Electrical -Optical Characteristics (Ta=25°C)

Item	Symbol	Condition	Min.	Typ.	Max.	Unit
DC Forward Voltage	V <sub>F</sub> (R)	I <sub>F</sub> =20mA	1.8	2.1	2.6	V
	V <sub>F</sub> (B/G)	I <sub>F</sub> =20mA	2.8	3.1	3.6	V
DC Reverse Current	I <sub>R</sub>	V <sub>R</sub> =5V	-	-	10	μA
Domi. Wavelength	λ <sub>D</sub> (Red)	I <sub>F</sub> =20mA	620	625	630	nm
	λ <sub>D</sub> (Green)	I <sub>F</sub> =20mA	520	525	530	nm
	λ <sub>D</sub> (Blue)	I <sub>F</sub> =20mA	465	470	475	nm
Luminous Intensity	I <sub>v</sub> (Red)	I <sub>F</sub> =20mA	150	220	-	mcd
	I <sub>v</sub> (Green)	I <sub>F</sub> =20mA	330	500	-	mcd
	I <sub>v</sub> (Blue)	I <sub>F</sub> =20mA	68	100	-	mcd
50% Power Angle	2θ <sub>1/2</sub>	I <sub>F</sub> =20mA	-	180	-	deg

\*1 Tolerance of measurements of dominant wavelength is ±1nm

\*2 Tolerance of measurements of luminous intensity is ±15%

\*3 Tolerance of measurements of forward voltage is ±0.1V

**Important Notice** : This data sheet and its contents (the "Information") belong to pro-SIGNAL. No licence is granted for the use of it other than for information purposes in connection with the products to which it relates. No licence of any intellectual property rights is granted. The Information is subject to change without notice and replaces all data sheets previously supplied. The Information supplied is believed to be accurate but pro-SIGNAL assumes no responsibility for its accuracy or completeness, any error in or omission from it or for any use made of it. Users of this data sheet should check for themselves the Information and the suitability of the products for their purpose and not make any assumptions based on information included or omitted. Liability for loss or damage resulting from any reliance on the Information or use of it (including liability resulting from negligence or where pro-SIGNAL was aware of the possibility of such loss or damage arising) is excluded. This will not operate to limit or restrict pro-SIGNAL's liability for death or personal injury resulting from its negligence.