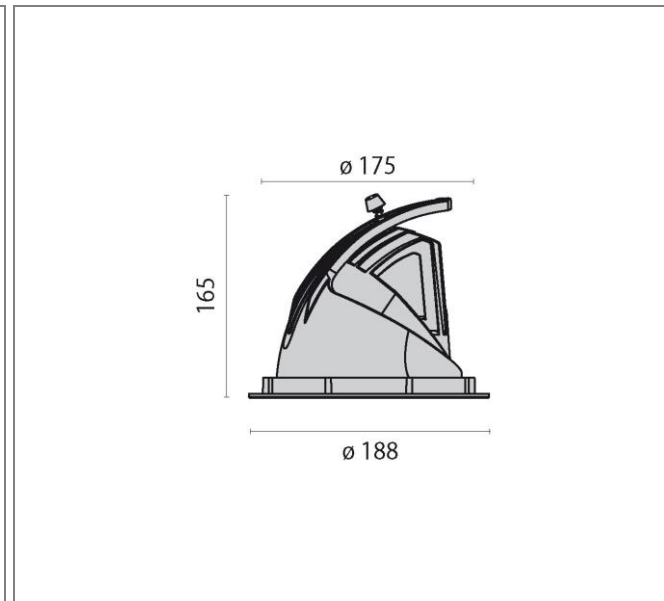


ART.: 8435174323380

EB435 LED FLOOD REFLECTOR



Art.: 8435174323380, EB435 LED, 35W, 3000K, Driver static, direkt / flood (2 x 23°-29°), Black, Recessed LED luminaire for indoors, consisting of: Die-cast aluminum spotlight body and ring, powder-coated, Reflector can be swivelled horizontally inwards and outwards thanks to the unique swivel mechanism, Adjustable about 60° (from -15° up to 45°, rotatable about 355°, High-brilliance spherical faceted reflector for maximum lamp performance and neutral colour rendering, Reflector in Flood design, Colour rendering index Ra > 90, Colour tolerance according to MacAdam ≤ 3 SDCM Toolless mounting, Complete with electric converter, Anchor springs, Complete with clear safety glass pane

| | |
|-------------------------------|-------------|
| Connected load | 35 W |
| Luminous flux | 3450 lm |
| Efficiency | 99 lm/W |
| Colour temperature | 3000K |
| Colour rendering (CRI) | 80 |
| IP class | 20 |
| Nominal voltage | 220 – 240 V |
| Colour | RAL 9005 |

