

# Ferrite Toroidal Core

## TOROIDAL CORES

Toroidal cores provide high performance when wound and used as cores for transformers, inductors, or chokes.

### FEATURES:

Minimal effect on transmission waveforms

Provide low cost noise countermeasures right at the data lines

Can be added as First-Aid, On-The Spot countermeasures when equipment or devices fail

### APPLICATIONS:

Measuring equipment

Current sensing transformers

DC-DC converters

Telecommunications

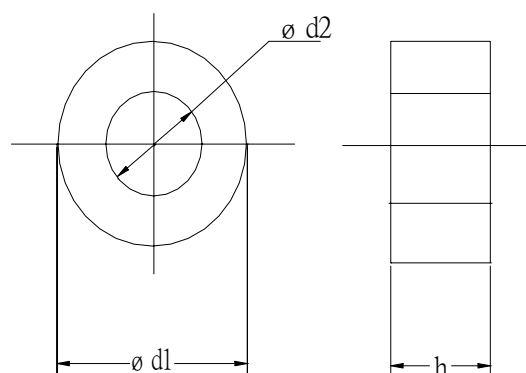
EMI filters

LAN matching and isolation transformers

LAN common mode chokes

Power supply common chokes

Inductors



### SPECIFICATION:

h	16 mm
$\varnothing d1$	37.3 mm
$\varnothing d2$	21.9 mm
Inductance Constant	9000±2250 nH

Art. Nr.

RND 165-00213