

# Data Sheet

## Coaxial Relay CX-230



### MECHANICAL CHARACTERISTICS :

Contact Arrangement	.....	SPDT
Operational Temperature	.....	- 25°C to + 50°C
Max Temperature Rise	.....	20°C
Weight	.....	Approx. 230 g
Mounting	.....	Two screws
Cable Connections	.....	3 BNC Type female connectors

### ELECTRICAL CHARACTERISTICS :

Impedance	.....	50 Ohms
Nominal Voltage	.....	12 V DC
Voltage Range	.....	10 V DC - 14 V DC
Current	.....	136 mA @ 12 V DC 20°C
Coil Resistance	.....	88 ±10% Ohms @ 20°C

### RF-PROPERTIES :

Frequency MHz	VSWR max	Isolation -dB(min)	Ins. Loss -dB(max)	RF Power input W
50	1.05	56	0.05	300
150	1.10	42	0.05	300
500	1.15	30	0.10	300
1000	1.30	24	0.20	200

### ACTUATION DATA :

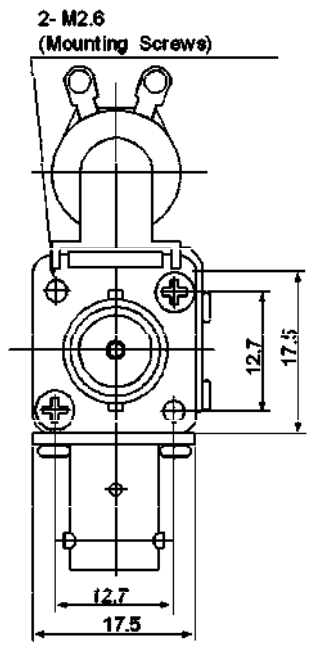
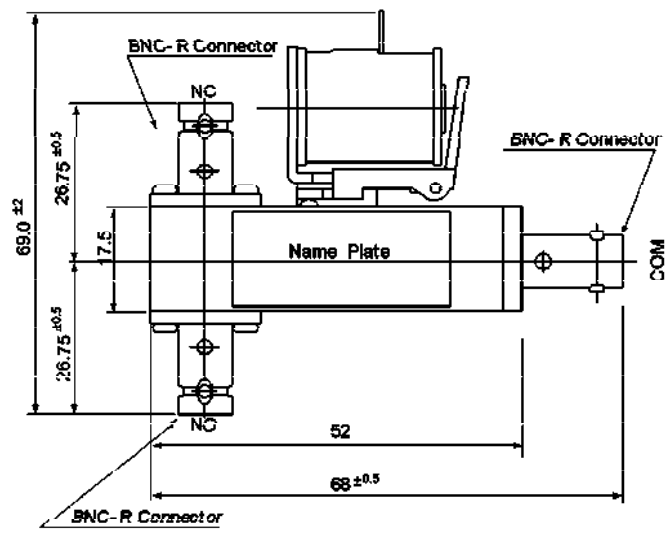
Pull In	.....	10 V DC - 14 V DC (12 V DC nominal)
Drop Out	.....	3 V DC min.

### SWITCHING TIME :

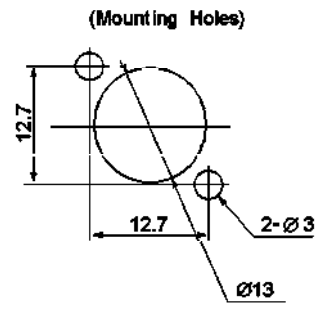
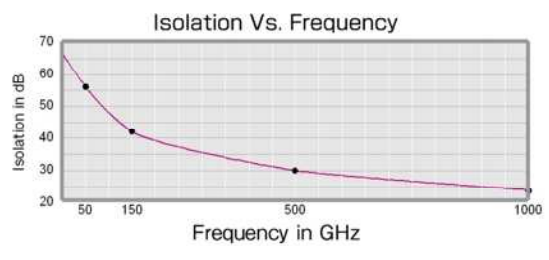
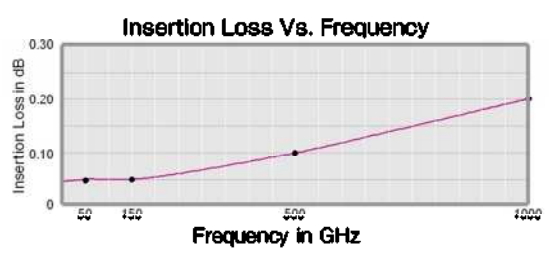
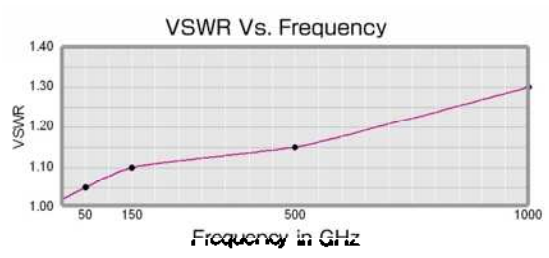
Pull In	.....	20 ms typical
Drop Out	.....	15 ms typical
Life Expectancy	.....	1.000.000 Operations min.

# Coaxial Relay CX-230

## DIMENSIONS :



## Typical Operating Curves :



## Schematic:

