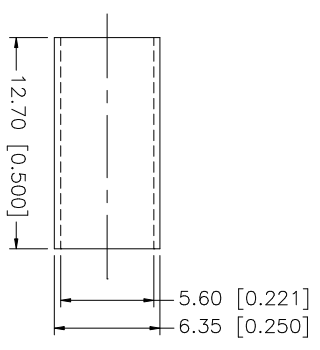
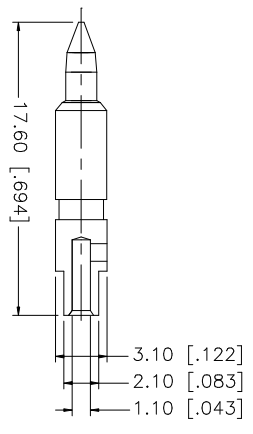
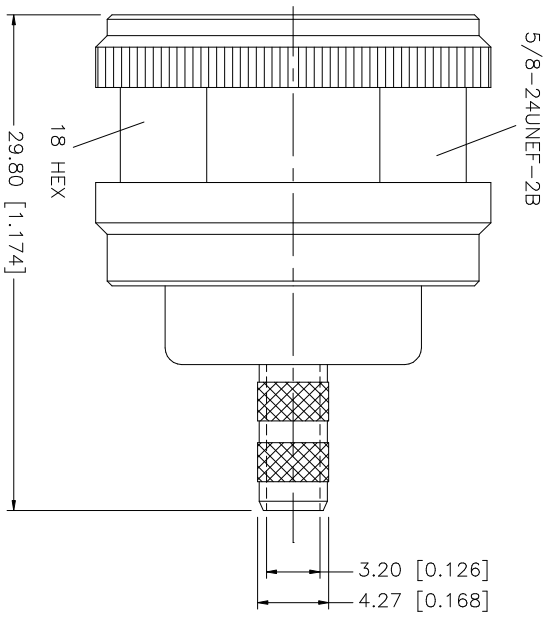
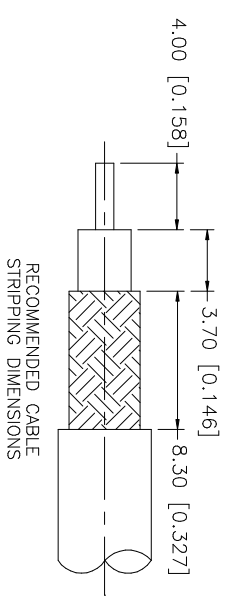


REV.	DATE	DESCRIPTION
A	05/24/04	UPDATE DRAWING FORMAT



CRIMP NOTES:

1. CRIMPED FERRULE
HEX CRIMP SIZE .213"
2. CRIMPED CONTACT PIN
HEX CRIMP SIZE .068"

QTY	FINISH	MATERIAL	DESCRIPTION
1	NEKOCOTE	BRASS	BARREL BODY
1	RED	SILICON	GASKET
1	NATURAL	TEFLON	INSULATOR
1	NEKOCOTE	BRASS	BARREL
1	NEKOCOTE	BRASS	BODY

APPROVALS	DATE
DRAWN G.R.S.	05/24/04

UNLESS OTHERWISE SPECIFIED DIMENSIONS ARE IN INCHES AND FOR CUSTOMER REFERENCE ONLY.
UNLESS OTHERWISE SPECIFIED TOLERANCES FOR MILLIMETERS ARE: 0.5 - 8mm ± 0.20mm 8 - 30mm ± 0.40mm 30 - 120mm ± 0.50mm
UNLESS OTHERWISE SPECIFIED TOLERANCES FOR INCHES ARE: .020 - .315 = ± 0.007" .315 - 1.180 = ± 0.015" 1.180 - 4.724 = ± 0.020"

PART DESCRIPTION	PART NO.
N CRIMP PLUG (FOR RG-55/U, 142A/U, 223/U, 400/U CABLE)	172142-11

DO NOT SCALE DRAWING

CAD FILE	DWG. NO.	REV.	SIZE	SCALE
C:/172/172142-11.DWG	172142-11.DWG	A	A	NA

Amphenol Connex