

1

2

3

4

5

6

7

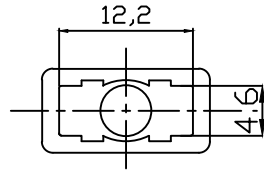
A

⑥ **USB 2.0 COMPLIANT**Notes:

- ⑧ Material: PC UL94V-0 Rated
- ⑤ Color: Transparent
- ⑧ Operating Temp.: -20°C~+85°C

A

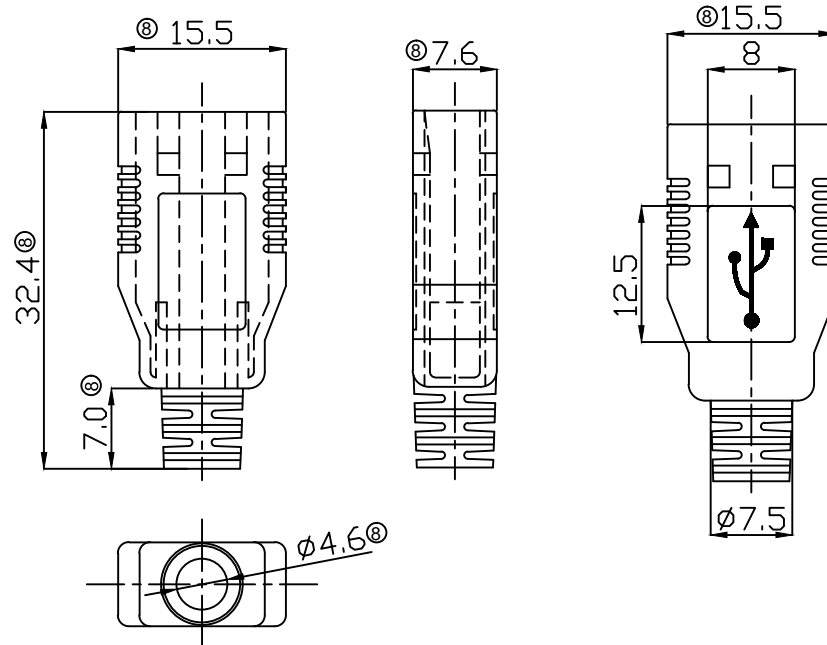
B



B

C

⑦



C

D

D

E

E

F

F

RoHS compliant

Unit: mm

Scale	N/A	⑧	Update dimension&material&temperature	04.12.2019	Winnie		Date	Name	Customer-No.
TOLERANCE		⑦	Update detail drawing and dimension	29.04.2014	Ray	Drawn	17.10.2003	Hellwig	
0.5~5	±0.2	⑥	Add USB 2.0 compliant	27.08.2013	Ray	Approved	04.12.2019	Winnie	ASSMANN WSW-No. A-USBPA-HOOD-N
5.0~10	±0.3	⑤	Modify color	05.12.2011	Rale				Drawing-No.
10~20	±0.4	④	Add material and color	14.07.2011	Rale	ASSMANN WSW components		ASS 1518B CO	rev08
20~30	±0.5	③	Modify drawing	17.11.2009	Dean			Replace	Sheet
30~40	±0.6								
40~50	±0.8								
DIM	TOL	Id.	Modification	Date	Name				

G

H

H

1

2

3

4

5

6

7