

## NPN BUX48 – BUX48A

### HIGH VOLTAGE FAST-SWITCHING POWER TRANSISTOR

They are silicon multi-epitaxial mesa NPN transistor in Jedec TO-3 case.  
They are intended for use in switching and industrial equipment.  
Compliance to RoHS.

#### ABSOLUTE MAXIMUM RATINGS

Symbol	Ratings			Value	Unit
$V_{CEO}$	Collector-Emitter Voltage	$I_B = 0$	BUX48	400	V
			BUX48A	450	
$V_{CES}$	Collector-Emitter Voltage	$V_{BE} = 0$	BUX48	850	V
			BUX48A	1000	
$V_{CER}$	Collector-Emitter Voltage	$R_{BE} = 10\Omega$	BUX48	850	
			BUX48A	1000	
$V_{CBO}$	Collector-Base Voltage	$I_E = 0$	BUX48	850	V
			BUX48A	1000	
$V_{EBO}$	Emitter-Base Voltage	$I_C = 0$		7	V
$I_C$	Collector Current			15	A
$I_{CM}$	Collector Current Peak	$t_p = 5ms$		30	A
$I_B$	Base Current			4	A
$I_{BM}$	Base Current Peak			20	A
$P_t$	Total Power Dissipation	@ $T_C = 25^\circ$		175	W
$T_J$	Junction Temperature			200	$^\circ C$
$T_{Stg}$	Storage Temperature			-65 to +200	$^\circ C$

#### THERMAL CHARACTERISTICS

Symbol	Ratings	Value	Unit
$R_{thJC}$	Thermal Resistance, Junction to Case	1	$^\circ C/W$

## NPN BUX48 – BUX48A

### ELECTRICAL CHARACTERISTICS

TC=25°C unless otherwise noted

Symbol	Ratings	Test Condition(s)		Min	Typ	Max	Unit		
$V_{CEO(SUS)}$	Collector-Emitter Sustaining Voltage (*)	$I_C = 100 \text{ mA}$	BUX48	400	-	-	V		
			BUX48A	450	-	-			
$V_{EBO}$	Emitter-Base Voltage	$I_C = 0$ $I_E = 50 \text{ mA}$	BUX48	7	-	30	V		
			BUX48A						
$I_{CER}$	Collector Cutoff Current	$V_{CE} = 400 \text{ V}$ $I_B = 0$ $R_{BE} = 10\Omega$	@ 25°C	BUX48	-	-	mA		
			@ 125°C					4	
		$V_{CE} = 450 \text{ V}$ $I_B = 0$ $R_{BE} = 10\Omega$	@ 25°C	BUX48A	-	-		0.5	
			@ 125°C						4
$I_{CES}$	Collector Cutoff Current	$V_{CE} = 850 \text{ V}$ $V_{BE} = 0$	@ 25°C	BUX48	-	-	mA		
			@ 125°C					0.2	
		$V_{CE} = 1000 \text{ V}$ $V_{BE} = 0$	@ 25°C	BUX48A	-	-		0.2	
			@ 125°C						2
$I_{EBO}$	Emitter Cutoff Current	$V_{EB} = 5 \text{ V}, I_C = 0$	BUX48	-	-	0.1	mA		
			BUX48A						
$h_{FE}$	DC Current Gain (*)	$I_C = 10 \text{ A}, V_{CE} = 5 \text{ V}$	BUX48	8	-	-	-		
		$I_C = 8 \text{ A}, V_{CE} = 5 \text{ V}$	BUX48A						
$V_{CE(SAT)}$	Collector-Emitter saturation Voltage (*)	$I_C = 10 \text{ A}, I_B = 2 \text{ A}$	BUX48	-	-	1.5	V		
		$I_C = 8 \text{ A}, I_B = 1.6 \text{ A}$	BUX48A						
		$I_C = 15 \text{ A}, I_B = 34 \text{ A}$	BUX48			-		-	5
		$I_C = 12 \text{ A}, I_B = 2.4 \text{ A}$	BUX48A						
$V_{BE(SAT)}$	Base-Emitter saturation Voltage (*)	$I_C = 10 \text{ A}, I_B = 2 \text{ A}$	BUX48	-	-	1.6	-		
		$I_C = 12 \text{ A}, I_B = 2.4 \text{ A}$	BUX48A						

### SWITCHING TIMES

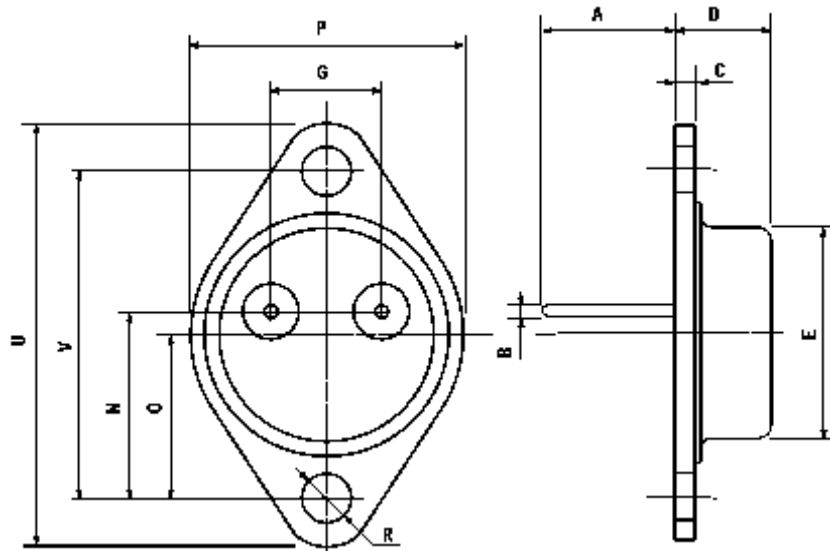
Symbol	Ratings	Test Condition(s)	Min	Typ	Max	Unit
$t_{on}$	Turn-on time	$I_C = 10 \text{ A}, I_{B1} = -I_{B2} = 2 \text{ A}$ $V_{CC} = 300 \text{ V}, V_{EB} = 5 \text{ V}$	-	-	0.9	$\mu\text{s}$
$t_s$	Storage time		-	-	2	
$t_f$	File time		-	-	0.4	
$t_{on}$	Turn-on time	$I_C = 8 \text{ A}, I_{B1} = -I_{B2} = 1.6 \text{ A}$ $V_{CC} = 300 \text{ V}, V_{EB} = 5 \text{ V}$	-	-	0.9	$\mu\text{s}$
$t_s$	Storage time		-	-	2	
$t_f$	File time		-	-	0.4	

(\*) Pulse Duration = 300  $\mu\text{s}$ , Duty Cycle  $\leq 2\%$

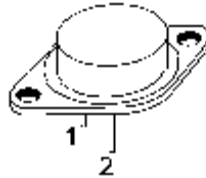
## NPN BUX48 – BUX48A

### MECHANICAL DATA CASE TO-3

DIMENSIONS (mm)			
	min	typ	max
A	11	-	13.10
B	0.97	-	1.15
C	1.5	-	1.65
D	8.32	-	8.92
E	19	-	22
G	10.70	-	11.1
N	16.50	-	17.20
P	25	-	27,20
R	3.84	-	4.21
U	38.50	-	40.13
V	29.90	-	30.40



Pin 1 :	Base
Pin 2 :	Emitter
Case :	Collector



Revised October 2012

Information furnished is believed to be accurate and reliable. However, Comset Semiconductors assumes no responsibility for the consequences of use of such information nor for any infringement of patents or other rights of third parties which may results from its use. Data are subject to change without notice. Comset Semiconductors makes no warranty, representation or guarantee regarding the suitability of its products for any particular purpose, nor does Comset Semiconductors assume any liability arising out of the application or use of any product and specifically disclaims any and all liability, including without limitation consequential or incidental damages. Comset Semiconductors' products are not authorized for use as critical components in life support devices or systems.