

746785-1 ✓ ACTIVE

AMPLIMITE | AMPLIMITE HDF

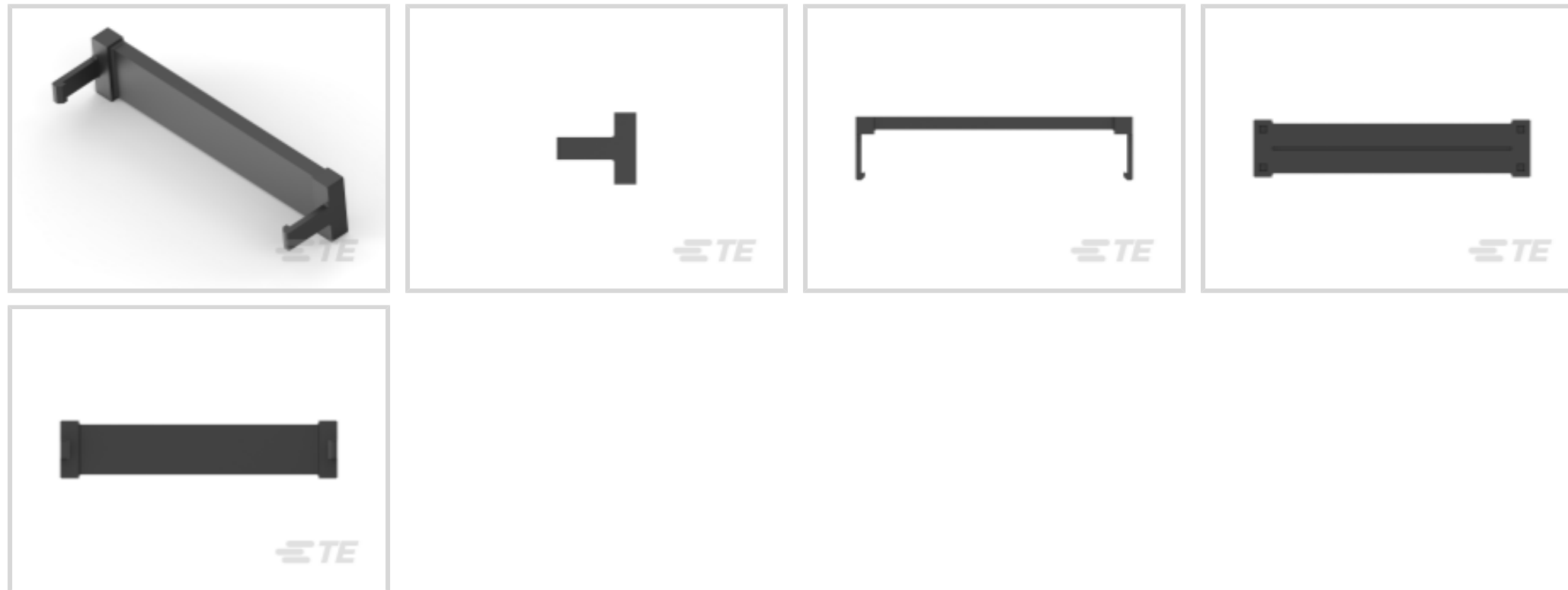
TE Internal #: 746785-1

AMPLIMITE HDF, D-Sub Locking & Mounting, Strain Relief, Wire & Cable

[View on TE.com >](#)



Connectors > D-Shaped Connectors > D-Sub Accessories > Locking & Mounting



D-Shaped Connector Accessories: **Strain Relief**

Connector & Contact Terminates To: **Wire & Cable**

## Features

### Product Type Features

|                                   |               |
|-----------------------------------|---------------|
| Grade                             | Standard      |
| Product Type                      | Accessory     |
| D-Shaped Connector Accessories    | Strain Relief |
| Connector & Contact Terminates To | Wire & Cable  |

### Body Features

|          |               |
|----------|---------------|
| Material | Thermoplastic |
|----------|---------------|

### Mechanical Attachment

|                          |          |
|--------------------------|----------|
| Mounting Angle           | Straight |
| PCB Mount Retention Type | None     |

### Operation/Application

|              |                  |
|--------------|------------------|
| For Use With | Cable Connectors |
|--------------|------------------|

### Packaging Features

|                    |         |
|--------------------|---------|
| Packaging Quantity | 1       |
| Packaging Method   | Package |

## Product Compliance

[For compliance documentation, visit the product page on TE.com>](#)

|   |   |
|---|---|
| EU RoHS Directive 2011/65/EU                  | Compliant   |
| EU ELV Directive 2000/53/EC                   | Compliant   |
| China RoHS 2 Directive MIIT Order No 32, 2016 | No Restricted Materials Above Threshold   |
| EU REACH Regulation (EC) No. 1907/2006        | Current ECHA Candidate List: JAN 2021 (211)<br>Candidate List Declared Against: JAN 2021 (211)<br>Does not contain REACH SVHC |
| Halogen Content                               | Not Low Halogen - contains Br or Cl > 900 ppm.  |
| Solder Process Capability                     | Not applicable for solder process capability  |

#### Product Compliance Disclaimer

This information is provided based on reasonable inquiry of our suppliers and represents our current actual knowledge based on the information they provided. This information is subject to change. The part numbers that TE has identified as EU RoHS compliant have a maximum concentration of 0.1% by weight in homogenous materials for lead, hexavalent chromium, mercury, PBB, PBDE, DBP, BBP, DEHP, DIBP, and 0.01% for cadmium, or qualify for an exemption to these limits as defined in the Annexes of Directive 2011/65/EU (RoHS2). Finished electrical and electronic equipment products will be CE marked as required by Directive 2011/65/EU. Components may not be CE marked. Additionally, the part numbers that TE has identified as EU ELV compliant have a maximum concentration of 0.1% by weight in homogenous materials for lead, hexavalent chromium, and mercury, and 0.01% for cadmium, or qualify for an exemption to these limits as defined in the Annexes of Directive 2000/53/EC (ELV). Regarding the REACH Regulation, the information TE provides on SVHC in articles for this part number is based on the latest European Chemicals Agency (ECHA) 'Guidance on requirements for substances in articles' posted at this URL: <https://echa.europa.eu/guidance-documents/guidance-on-reach>

## Compatible Parts



Also in the Series | **AMPLIMITE HDF**



D-Sub Locking &amp; Mounting(8)



IDC D-Sub Connectors(36)

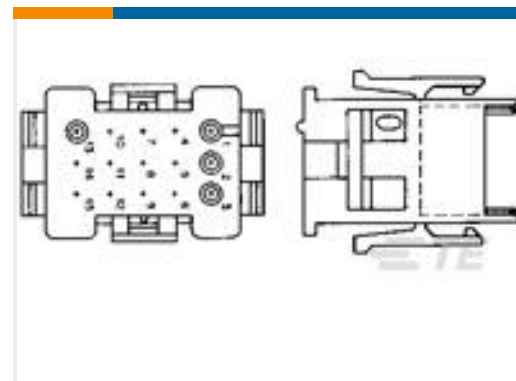
## Customers Also Bought



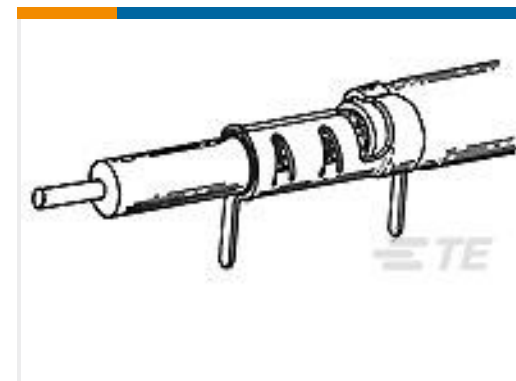
TE Part #1658607-1  
IDC D-Sub: Plug Assembly, Low Profile, Signal, 2.77 mm



TE Part #1658612-1  
IDC D-Sub: Receptacle Assembly, Low Profile, Signal, 2.77 mm



TE Part #1-640512-0  
12P MR II CAP HSG V0 RED



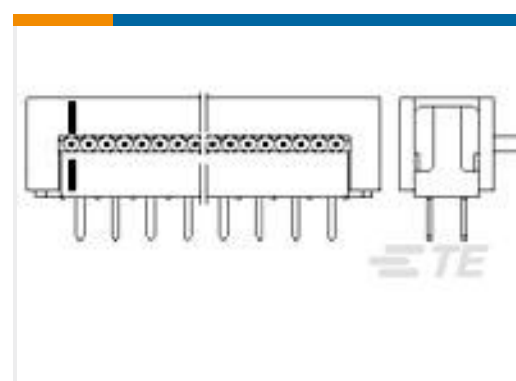
TE Part #9-226176-2  
BRAID PIC TERMINAL, LF PLTG



TE Part #1-1658621-0  
50 NOVO MIL/CTR 15DP, LEAD FREE



TE Part #1-2308342-7  
D-SUB BACKSHELL SIZE 3



TE Part #1-216791-0  
AMP LATCH D/P ASSY



TE Part #1546670-2  
2P .437" DR BARRIER, W/BND SCRW



TE Part #1571987-5  
A201J1CQ004=DBG POLE, ROCKER

## Documents

### Product Drawings

50 POS STR RLF, LOW PROFILE

English

### CAD Files

3D PDF

3D

Customer View Model

ENG\_CVM\_CVM\_746785-1\_C.2d\_dxf.zip



English

Customer View Model

[ENG\\_CVM\\_CVM\\_746785-1\\_C.3d\\_igs.zip](#)

English

Customer View Model

[ENG\\_CVM\\_CVM\\_746785-1\\_C.3d\\_stp.zip](#)

English

By downloading the CAD file I accept and agree to the [Terms and Conditions](#) of use.

---

### Datasheets & Catalog Pages

[AMPLIMITE Subminiature D Connectors - Cable Connectors](#)

English

---

### Product Environmental Compliance

[TE Material Declaration](#)

English