



DEUTSCH | DEUTSCH 38999 Series III Composite Connectors

TE Internal #: YACT26JG35BN000000

Standard Circular Connectors, Wire-to-Wire, 79 Position, .1 in [.06 mm] Centerline, Sealable, Wire & Cable, Power & Signal, Cable Mount (Free-Hanging)

[View on TE.com >](#)

Connectors > Circular Connectors > Standard Circular Connectors > Straight Plug D38999, G35 Insert



Connector System: **Wire-to-Wire**

Number of Positions: **79**

Centerline (Pitch): **.06 mm [.1 in ]**

Sealable: **Yes**

Connector & Contact Terminates To: **Wire & Cable**

[All Straight Plug D38999, G35 Insert \(76\)](#)

## Features

### Product Type Features

|                                   |               |
|-----------------------------------|---------------|
| Product Type                      | Connector     |
| Connector System                  | Wire-to-Wire  |
| Sealable                          | Yes           |
| Connector & Contact Terminates To | Wire & Cable  |
| Circular Connector Type           | Plug          |
| Shell Type                        | Straight Plug |

### Configuration Features

|                            |    |
|----------------------------|----|
| Number of Positions        | 79 |
| Number of Power Positions  | 0  |
| Number of Signal Positions | 79 |
| Contacts Preloaded         | No |

### Body Features

|   |                          |
|---|--------------------------|
| Shell Plating Material                      | Cadmium O.D.             |
| Shell Base Material                         | Composite                |
| Circular Connector Insulation Material Type | Hard Dielectric/Silicone |
| Hermetically Sealed                         | No                       |



### Contact Features

|                                 |            |
|---------------------------------|------------|
| Contact Current Rating (Max)    | 5 A        |
| Reverse Gender                  | No         |
| Contact Layout Arrangement      | Circular   |
| Circular Connector Contact Type | Pin/Socket |

### Mechanical Attachment

|                         |                            |
|-------------------------|----------------------------|
| Connector Mounting Type | Cable Mount (Free-Hanging) |
| Polarization Code       | Normal                     |
| Mating Alignment Type   | Polarization               |
| Mating Retention        | Without                    |

### Housing Features

|                               |                |
|-------------------------------|----------------|
| Centerline (Pitch)            | .06 mm [.1 in] |
| Circular Connector Shell Size | G (21)         |
| Alignment Keyed               | Clocking       |

### Dimensions

|           |                          |
|-----------|--------------------------|
| Wire Size | .15 – .4 mm <sup>2</sup> |
|-----------|--------------------------|

### Usage Conditions

|                             |                             |
|-----------------------------|-----------------------------|
| Operating Temperature Range | -65 – 200 °C [-85 – 392 °F] |
|-----------------------------|-----------------------------|

### Operation/Application

|                     |                |
|---------------------|----------------|
| Circuit Application | Power & Signal |
| Shielded            | Yes            |

### Product Compliance

For compliance documentation, visit the product page on [TE.com](https://www.te.com)>

|   |  |
|---|--|
| EU RoHS Directive 2011/65/EU                  | Not Compliant  |
| EU ELV Directive 2000/53/EC                   | Not Compliant  |
| China RoHS 2 Directive MIIT Order No 32, 2016 | Restricted Materials Above Threshold   |
| EU REACH Regulation (EC) No. 1907/2006        | Current ECHA Candidate List: JUNE 2022 (224)<br>Candidate List Declared Against: JUNE 2022 (224)<br>SVHC > Threshold:<br>Cd (3.45% in Plating)<br>Decamethylcyclopentasiloxane (D5) (5% in Insert Subassembly) |



**Article Safe Usage Statements:**

Use personal protective equipment as required. Do not eat, drink or smoke when using this product. Wash thoroughly after handling. Recycle if possible and dispose of the article by following all applicable governmental regulations relevant to your geographic location.

Halogen Content

Not Yet Reviewed for halogen content

Solder Process Capability

Not reviewed for solder process capability

**Product Compliance Disclaimer**

This information is provided based on reasonable inquiry of our suppliers and represents our current actual knowledge based on the information they provided. This information is subject to change. The part numbers that TE has identified as EU RoHS compliant have a maximum concentration of 0.1% by weight in homogenous materials for lead, hexavalent chromium, mercury, PBB, PBDE, DBP, BBP, DEHP, DIBP, and 0.01% for cadmium, or qualify for an exemption to these limits as defined in the Annexes of Directive 2011/65/EU (RoHS2). Finished electrical and electronic equipment products will be CE marked as required by Directive 2011/65/EU. Components may not be CE marked. Additionally, the part numbers that TE has identified as EU ELV compliant have a maximum concentration of 0.1% by weight in homogenous materials for lead, hexavalent chromium, and mercury, and 0.01% for cadmium, or qualify for an exemption to these limits as defined in the Annexes of Directive 2000/53/EC (ELV). Regarding the REACH Regulation, the information TE provides on SVHC in articles for this part number is based on the latest European Chemicals Agency (ECHA) 'Guidance on requirements for substances in articles' posted at this URL: <https://echa.europa.eu/guidance-documents/guidance-on-reach>

## Compatible Parts



TE Part # 601966-1  
CRIMPING TOOL M22520/2-01



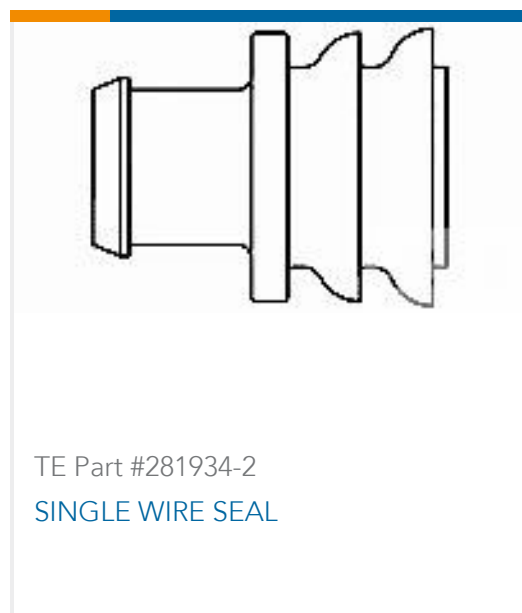
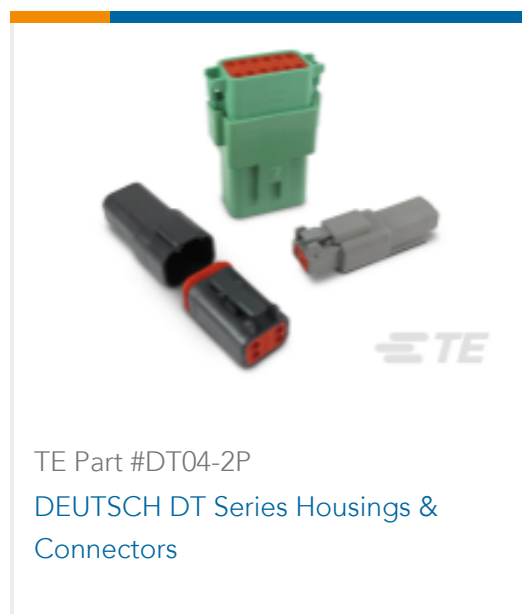
TE Part # YACT20JG35ANV00100  
SQUARE FLANGE RECEPTACLE

## Also in the Series | DEUTSCH 38999 Series III Composite Connectors



Standard Circular Connectors(12001)

## Customers Also Bought



## Documents

### Product Drawings

[STRAIGHT PLUG](#)

English

### Datasheets & Catalog Pages

[DEUTSCH MIL-DTL-38999 CIRCULAR CONNECTORS](#)

English