

**SAI-M23-SE-6-17MM****Weidmüller Interface GmbH & Co. KG**

Klingenbergstraße 16

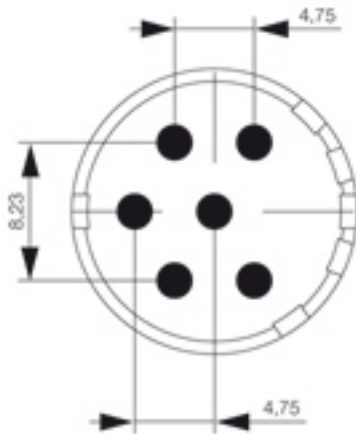
D-32758 Detmold

Germany

Fon: +49 5231 14-0

Fax: +49 5231 14-292083

www.weidmueller.com



The M23 round plug-in connectors offer a high number of mating cycles, high current-carrying capacity and high contact-density coupled with minimum dimensions. Enclosures, inserts and crimp contacts need to be ordered separately.

**General ordering data**

Type	SAI-M23-SE-6-17MM
Order No.	<a href="#">1224060000</a>
Version	Sensor/Actuator plug-in connector
GTIN (EAN)	4050118007657
Qty.	1 pc(s).

## SAI-M23-SE-6-17MM

Weidmüller Interface GmbH &amp; Co. KG

Klingenbergstraße 16

D-32758 Detmold

Germany

Fon: +49 5231 14-0

Fax: +49 5231 14-292083

www.weidmueller.com

## Technical data

## Dimensions and weights

Net weight	15 g
------------	------

## Temperatures

Operating temperature, max.	125 °C	Operating temperature, min.	-40 °C
-----------------------------	--------	-----------------------------	--------

## Environmental Product Compliance

REACH SVHC	Lead 7439-92-1
------------	----------------

## Standards

Certificate No. (UR)	E344862
----------------------	---------

## General data

Coding	none	Conductor O.D.	-
Connection thread	M23	Contact material	Copper-Zinc alloy
Contact number / diameter	6 x 2 mm	Contact surface	Gold-plated
Fire behaviour	V-0	Housing main material	Thermoplastic polyamide PA 6, PBT
Insulation strength	$> 10^{10} \Omega$	No. of poles	6
Plugging cycles	> 1000	Rated current	20 A
Type of connection	Solder connection		

## Classifications

ETIM 4.0	EC002635	ETIM 5.0	EC002635
ETIM 6.0	EC000438	eClass 6.2	27-26-07-02
eClass 7.1	27-44-01-02	eClass 8.1	27-44-01-02
eClass 9.1	27-44-02-05		

## Product information

Product information	Enclosures, inserts and crimp contacts need to be ordered separately.
---------------------	---

## Approvals

Approvals



ROHS	Conform
------	---------

## Downloads

Brochure/Catalogue	<a href="#">CAT 8 SAI 15/16 EN</a> <a href="#">FL FIELDWIRING EN</a>
--------------------	---