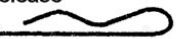

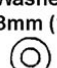
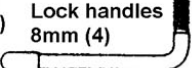

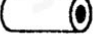


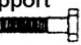
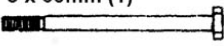
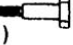



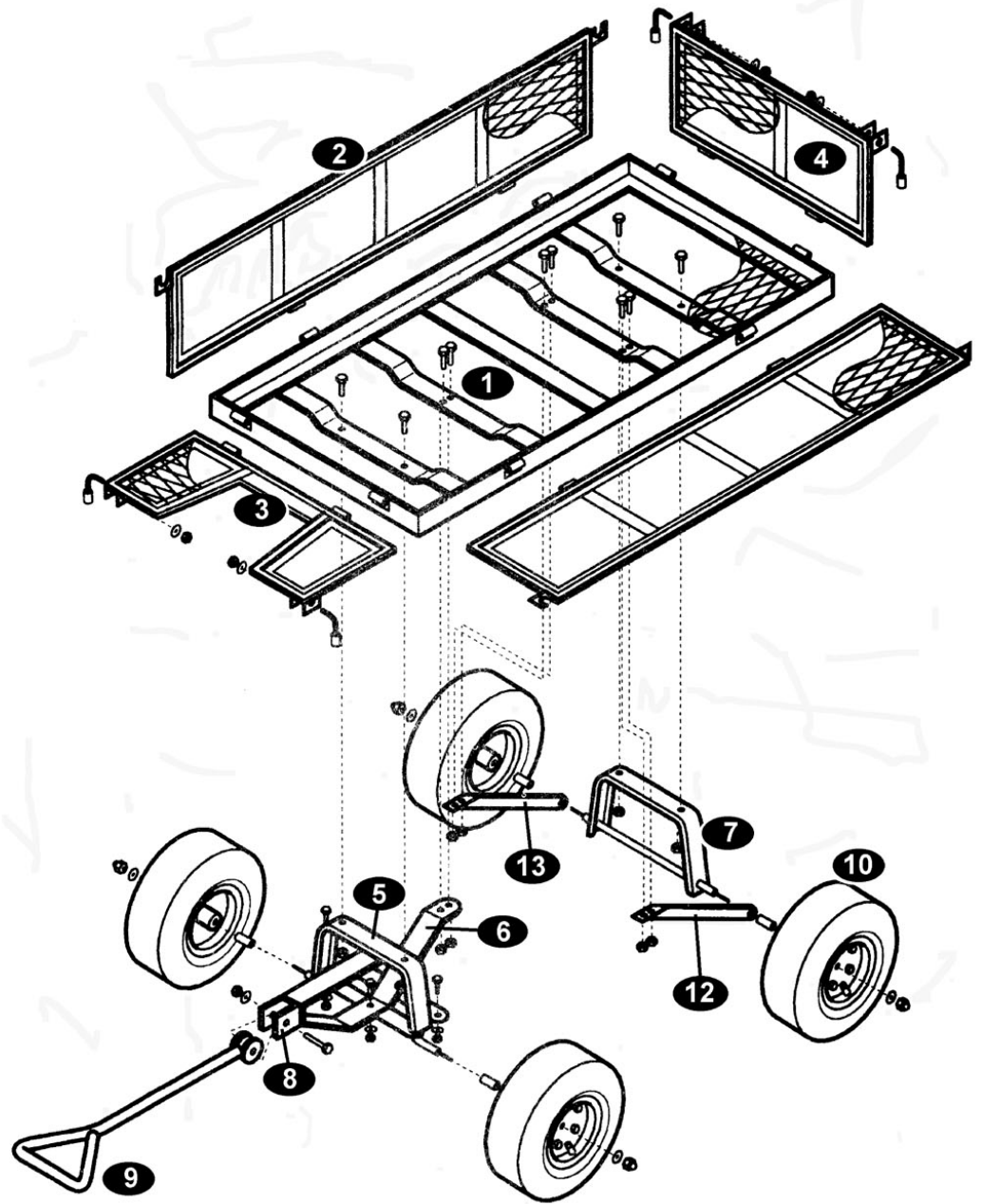


Parts Information:
Platform Truck with Removable Sides
Pneumatic Tyres 200kg Capacity
Model No: CST997.V2

- Quick release pin (8) 
- Nut 6mm with lock insert (8) 
- Washers 8mm (15)  Lock handles 8mm (4) 
- Nut 8mm with lock inserts (15)  Wheel spacer bushings (4) 
- Wheel lock washers (4)  Wheel dome nuts (4) 
- Carriage support bolts (10) 
- Pull handle bolt 8 x 60mm (1) 
- Long shoulder bolt 8 x 17mm (1) 
- Short shoulder bolt 8 x 15mm (3) 
- Washer 6mm (4) 
- Nut 6mm with lock insert (4) 

11



Item	Part No.	Description
1	CST997.V2-01	FLAT BED
2	CST997.V2-02	SIDE PANEL
3	CST997.V2-03	FRONT PANEL
4	CST997.V2-04	REAR PANEL
5	CST997.V2-05	FRONT AXLE SUPPORT
6	CST997.V2-06	FRONT, CENTRE AXLE BRACE
7	CST997.V2-07	REAR AXLE SUPPORT

Item	Part No.	Description
8	CST997.V2-08	YOKE
9	CST997.V2-09	HANDLE
10	CST986.V2-01	WHEEL,PNEUMATIC 4.10/3.50-4 (250x16x79)
11	CST997.V2-11	FIXING KIT
12	CST997.V2-12	LEFT REAR AXLE BRACE
13	CST997.V2-13	RIGHT REAR AXLE BRACE
--	CST997.V2-14	LINK ROD (NOT SHOWN)

NOTE: It is our policy to continually improve products and as such we reserve the right to alter data, specifications and component parts without prior notice.

IMPORTANT: No liability is accepted for incorrect use of product.

WARRANTY: Guarantee is 12 months from purchase date, proof of which will be required for any claim.