



## Terminal block 4 poles, 125A

Part no. **BPZ-KB-8/125**  
Article no. **289968**

### Delivery programme

Mounting type			Floor standing distribution board Surface mounted Flush mounted
Degree of Protection			IP20
Mounting position			universal
Number of poles			4 pole
Width		mm	98
Depth		mm	49
Height		mm	74
Number of clamping units per pole			9
Rated device current		A	125

### Technical data

#### General

Standards			IEC 60 947 -7 -1
RoHS (in accordance with Directive 2002/95/EC of the European Parliament and Council)			conform
Heat deflection temperature		°C	100
UL 94 flame classification			PA66 = V-0 PC = V-2
Comparative tracking index		V	600
Degree of Protection			IP20
Assembly details			Clicks on DIN-rail or on base plate. Save time on wiring. Save 80% on space used. Modular construction, 1-4 pole Systems can be built with several blocks.

#### Electrical

IEC			
Max. electrical load / Cu		A	125
Max. operating voltage / Cu		V AC	690
Max. operating voltage / Cu		V DC	690
Rated peak withstand current	$I_{pk}$	kA	24
Rated short-time withstand current (t=1s)	$I_{cw}$	kA	4.2

#### Material characteristics

Material			
Clamping body			Brass
Housing			PA66
Housing body			PC
Hexagon socket set screw			Steel
Surface finish			
Clamping body			Plain
Hexagon socket set screw			Zn-Plated
Colour			
Housing			grey, RAL 7035
Housing body			blue

#### Terminal capacity

Incomer			
single wire/multi wire		mm <sup>2</sup>	6 - 35
fine wire (with sleeve)		mm <sup>2</sup>	6 - 25
Torque		N/m	1.5
Outgoings			
single wire/multi wire		mm <sup>2</sup>	1.5 - 6 4 - 16

single wire/multi wire L1 - L3	mm <sup>2</sup>	1.5 - 6 4 - 16
single wire/multi wire N	mm <sup>2</sup>	1.5 - 10 4 - 16
fine wire (with sleeve) L1 - L3	mm <sup>2</sup>	1.5 - 6 4 - 10
fine wire (with sleeve) N	mm <sup>2</sup>	4 - 16 4 - 10
Torque	N/m	0.8 1.5

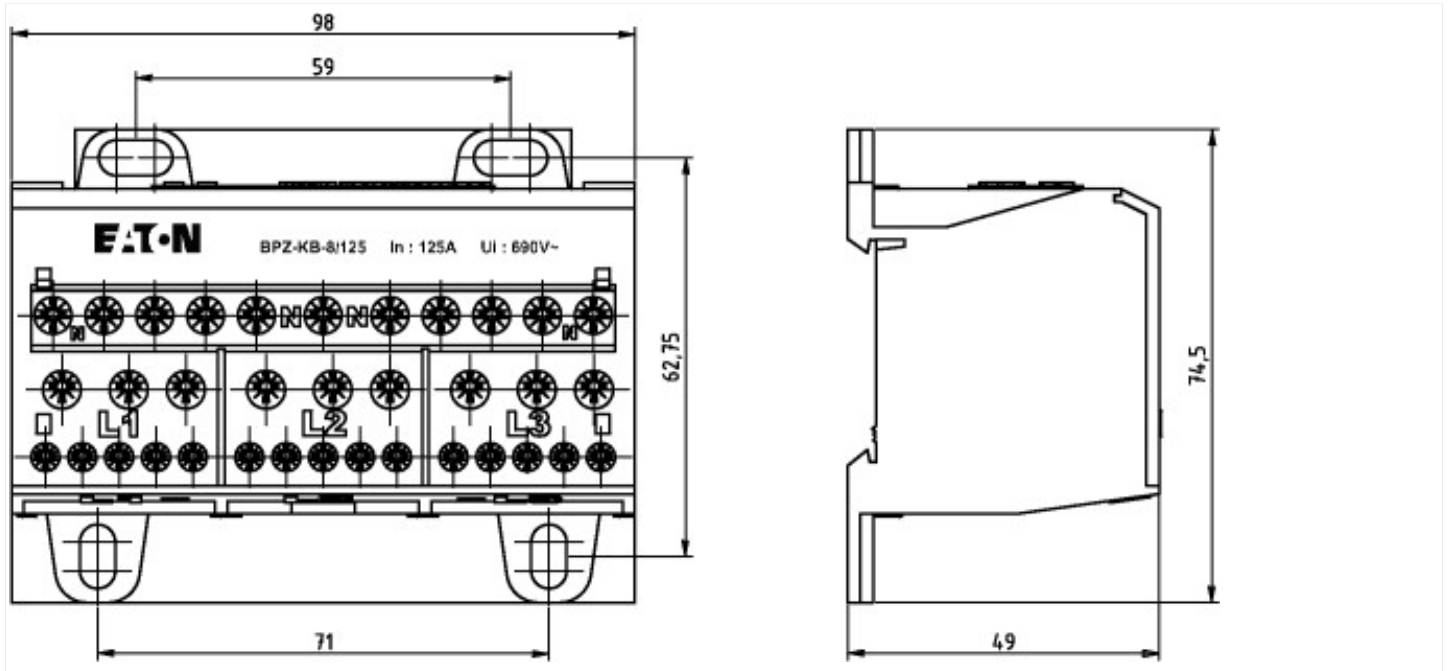
## Technical data ETIM 6.0

Energy distribution systems (EG000015) / Distributor assembly terminal blocks (EC001894)

Electric engineering, automation, process control engineering / Electrical insulation and connecting material / Energy distribution system / Distributor assembly terminal blocks (ec1@ss8.1-27-40-06-09 [ACO381008])

Height	mm	74.5
Width	mm	98
Depth	mm	49
Max. rated current	A	125
Number of poles		4
Conductor cross section flexible (fine-strand) with cable end sleeve	mm <sup>2</sup>	1.5 - 35
Conductor cross section solid (solid, stranded)	mm <sup>2</sup>	1.5 - 35
Number of clamp positions per pole		18
With PE-rail		No
With N-rail		No

## Dimensions



## Additional product information (links)

Product overview (Web)

<http://www.eaton.eu/Europe/Electrical/ProductsServices>