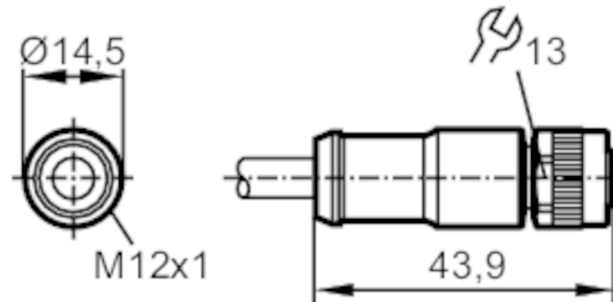


# E20738



## Connecting cable with socket

ADOGH080MSS0002B08



### Application

Special feature	Screened cable
-----------------	----------------

### Electrical data

Operating voltage [V]	< 60 AC/DC
-----------------------	------------

### Operating conditions

Ambient temperature [°C]	-25...85
--------------------------	----------

Protection	IP 67
------------	-------

### Mechanical data

Weight [g]	125.5
------------	-------

Dimensions [mm]	14.5 x 14.5 x 43.9
-----------------	--------------------

Materials	TPU
-----------	-----

Material nut	diecast zinc, nickel-plated
--------------	-----------------------------

### Remarks

Pack quantity	1 pcs.
---------------	--------

### Electrical connection

Cable: 2 m, PUR, black, shielded; 7 x 0.25 mm<sup>2</sup> (14 x Ø 0.15 mm )

### Electrical connection - socket

Connector: 1 x M12, straight; Moulded body: TPU; Locking: diecast zinc, nickel-plated



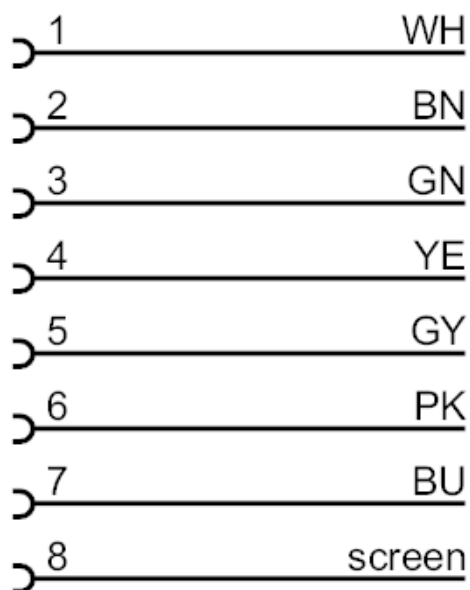
# E20738



## Connecting cable with socket

ADOGH080MSS0002B08

### Connection



#### colours to DIN

47100

#### Core colours :

BN =	brown
BU =	blue
GN =	green
GY =	grey
PK =	pink
WH =	white
YE =	yellow
screen =	screen