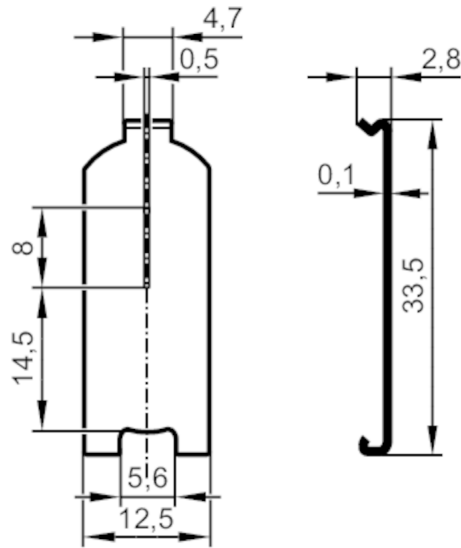


E21280



Slot mask

SLIT DIAPHRAGM O6 0,5 X 8 MM



Application	
Design	for types O6E / O6S Kunststoff
Application [m]	0.8
Detection zone	
Diameter of the smallest detectable object [mm]	0.3
Mechanical data	
Weight [g]	4.5
Materials	stainless steel (1.4310 / 301)
Remarks	
Remarks	The smallest object can only be detected if a mask is attached to both transmitter and receiver.
Pack quantity	1 pcs.