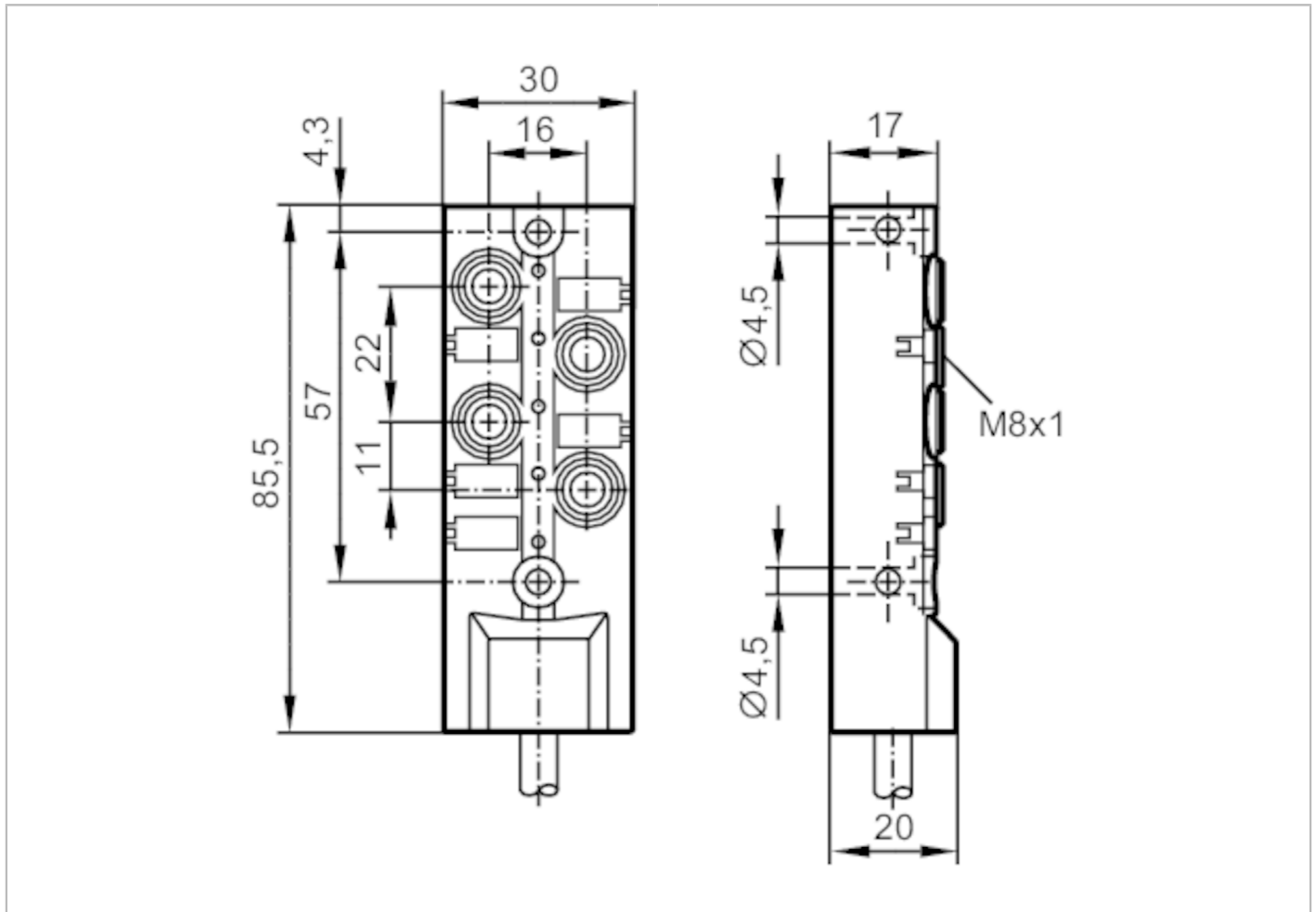


EBC059



Splitter box

ZDO4F035MSJ0010H10



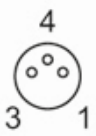
Application	
Special feature	Halogen-free; Gold-plated contacts; Drag chain suitability
Electrical data	
Operating voltage [V]	10...30 DC; ("supply class 2" to cULus)
Protection class	III
Max. current load per module/slot [A]	2
Max. current load total [A]	6
Outputs	
Electrical design	NPN
Operating conditions	
Ambient temperature [°C]	-25...80
Ambient temperature (moving) [°C]	-5...60
Protection	IP 65; IP 67; IP 68

EBC059



Splitter box

ZDO4F035MSJ0010H10

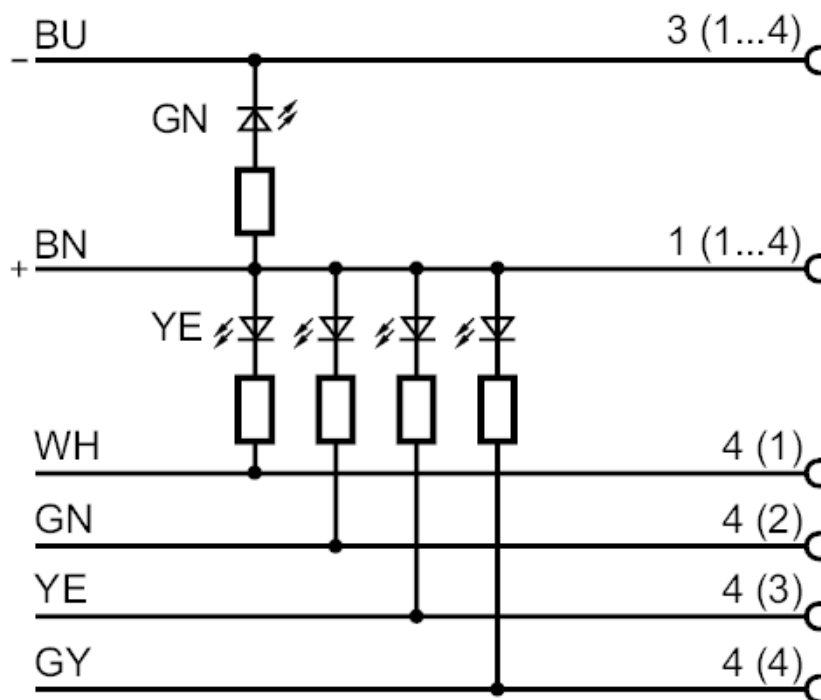
Mechanical data		
Weight [g]	648.5	
Materials	PBT-GF20; brass nickel-plated	
Number of ports splitter box	4	
Connector type	M8	
Drag chain suitability	yes	
Drag chain suitability	bending radius for flexible use	min. 10 x cable diameter
	travel speed	max. 3.3 m/s for a horizontal travel length of 5 m and max. acceleration of 5 m/s ²
	bending cycles	> 5 Mio.
	torsional strain	± 180 °/m
Displays / operating elements		
Display	switching status	4 x LED, yellow
	operation	1 x LED, green
Accessories		
Accessories (optional)	DIN rail adapter:, E73006	
	Protective caps, for M8 sockets, E73005	
Remarks		
Pack quantity	1 pcs.	
Electrical connection		
Cable: 10 m, PUR, Halogen-free, black, Ø 6.4 mm; 4 x 0.34 mm ² (43 x Ø 0.1 mm) + 2 x 0.75 mm ² (21 x Ø 0.2 mm)		
Electrical connection - slot		
Connector: 4 x M8; Moulded body: PBT-GF 20 / brass, nickel-plated; Contacts: gold-plated		
		



Splitter box

ZDO4F035MSJ0010H10

Connection



Core colours :

BN =	brown
BU =	blue
GN =	green
GY =	grey
WH =	white
YE =	yellow