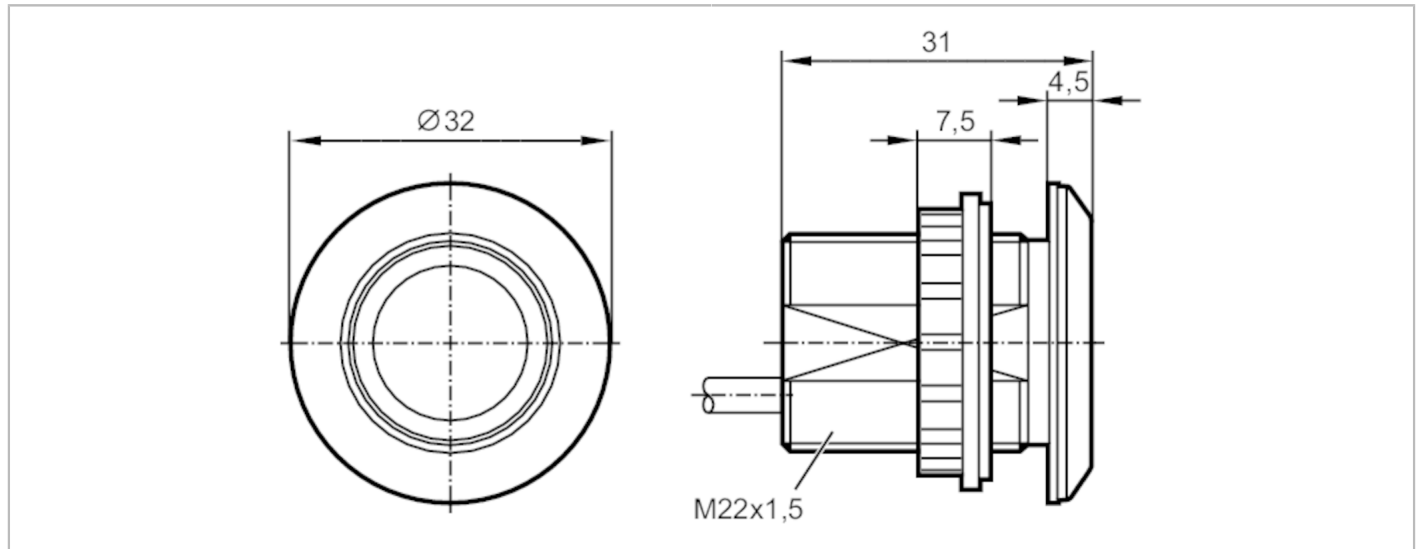


# KT5350



## Capacitive illuminated pushbutton

KTMBF-ERGBPKG/2M



Product characteristics		
Electrical design		PNP
Output function		normally open
Dimensions	[mm]	Ø 32 / L = 31
Application		
Operating principle		bistable
Electrical data		
Operating voltage	[V]	12...30 DC
Current consumption	[mA]	30
Protection class		III
Reverse polarity protection		yes
Max. power-on delay time	[ms]	500
Outputs		
Electrical design		PNP
Output function		normally open
Permanent current rating of switching output DC	[mA]	200
Short-circuit protection		yes
Overload protection		yes
Response times		
Response time	[ms]	35
Operating conditions		
Ambient temperature	[°C]	-40...85
Protection		IP 65; IP 67; IP 69K; (on the front)
Tests / approvals		
EMC		IEC 61000-4

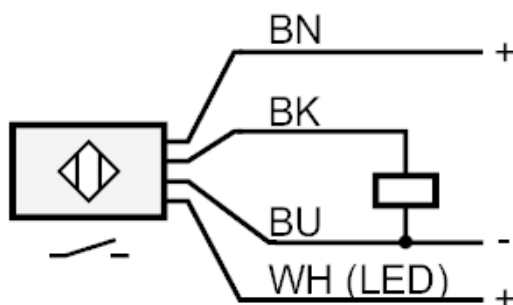
# KT5350



## Capacitive illuminated pushbutton

KTMBF-ERGBPKG/2M

Mechanical data		
Weight	[g]	119.5
Dimensions	[mm]	Ø 32 / L = 31
Materials	housing: stainless steel (1.4404 / 316L); active face: PA Grilamid TR 90UV	
Displays / operating elements		
Display	switching status	1 x LED, green
	function	1 x LED, red can be triggered
Accessories		
Accessories (supplied)	lock nuts: 1	
	Gasket: 1	
Accessories (optional)	symbol disc	
Remarks		
Pack quantity	1 pcs.	
Electrical connection		
Cable: 2 m, PUR		
Connection		



Core colours :

BK =	black
BN =	brown
BU =	blue
YE =	yellow