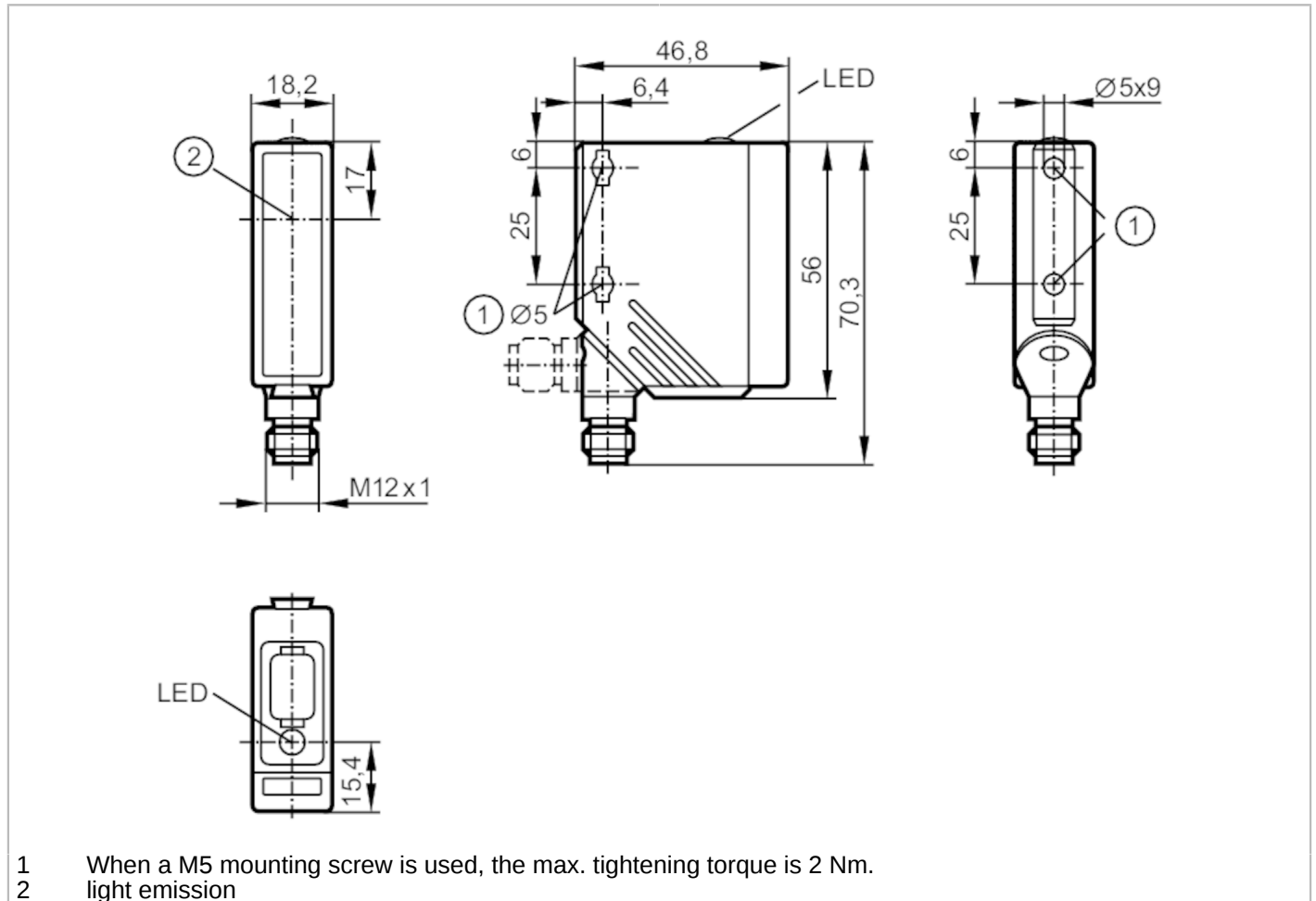


O5S200



Through-beam sensor transmitter

O5S-OOKG/US100



Product characteristics	
Type of light	red light
Housing	rectangular
Dimensions [mm]	56 x 18.2 x 46.8
Application	
Function principle	Through-beam sensor
Electrical data	
Operating voltage [V]	10...36 DC
Current consumption [mA]	20
Protection class	II
Reverse polarity protection	yes
Type of light	red light
Wave length [nm]	624

O5S200



Through-beam sensor transmitter

O5S-OOKG/US100

Detection zone	
Transmitter / receiver	transmitter
Range [m]	< 20
Range adjustable	no
Max. light spot diameter [mm]	500
Light spot dimensions refer to	at maximum range

Operating conditions	
Ambient temperature [°C]	-25...60
Protection	IP 67

Tests / approvals	
EMC	EN 60947-5-2
MTTF [years]	760

Mechanical data	
Weight [g]	60.5
Housing	rectangular
Dimensions [mm]	56 x 18.2 x 46.8
Materials	housing: PA; bezel: stainless steel; operator interface: TPE
Lens material	PMMA
Lens alignment	side lens

Displays / operating elements		
Display	operation	1 x LED, green

Remarks	
Remarks	operating voltage "supply class 2" according to cULus
Pack quantity	1 pcs.

Electrical connection

Connector: 1 x M12

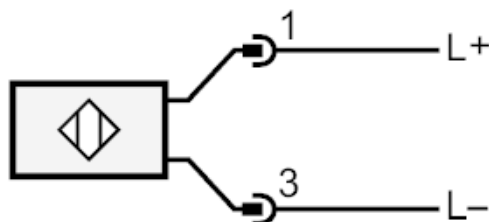




Through-beam sensor transmitter

O5S-OOKG/US100

Connection



Diagrams and graphs

excess gain graph

