

CUBE67 I/O EXTENSION MODULE, VALVE-INTERFACE

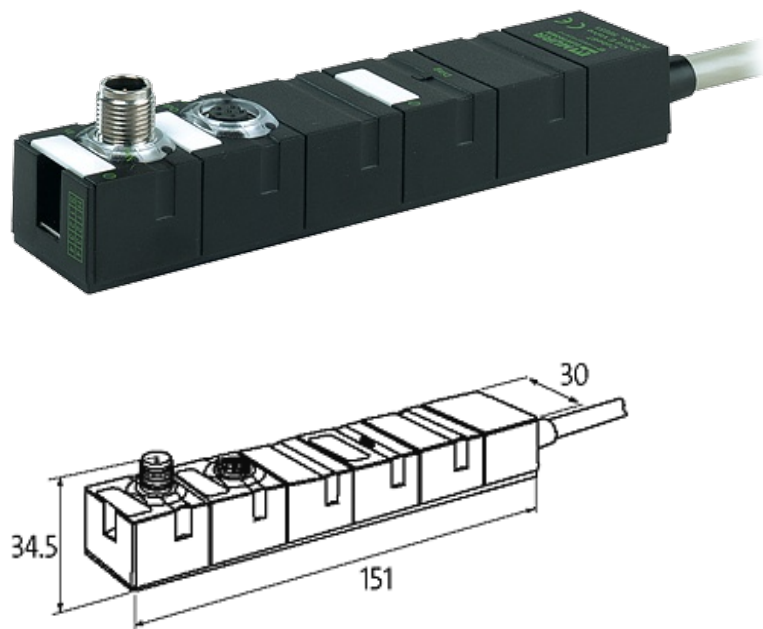
32 digital outputs for MAC

Expansion module
DO32 - Valve (E) 0.5 m
Multipole plug (0.5 A)
MAC Valves
MAC Valves (UL-Listed)

Housing fully potted. For connection cables please see chapter "Connection Technology"

[Link to Product](#)

Illustration



Product may differ from Image

Approvals



Internal communication

LED display	US: sensor supply and internal supply voltage (green: OK); UA: actuator supply (green: OK)
Current consumption	max. 50 mA

Connections

Fieldbus	via internal system connection
----------	--------------------------------

Sensor-system/actuator supply	via internal system connection (max. 2×4 A)
I/O ports	Cable (0.5 m) / MAC Valves, (UL-Listed) (0.5 A)
Cables	
No./diameter of wires	36 × 0.14 mm ²
Material (jacket)	PVC
General data	
Protection	IP67
Mounting method	2-hole screw mounting
Temperature range	0...+55 °C (storage temperature -20...+75 °C)
Dimensions H × W × D	150×30×34.5 mm
Output	
Actuator supply UA	24 V DC (EN 61131-2), via system connection (max. 4 A)
Switching current per output	short-circuit and overload protected
Diagnostic	
Communication status	via LED
Diagnostic via LED	per module
Diagnostic via BUS	per module and channel
Monitoring - under voltage	yes
Monitoring - no voltage	yes
Short circuit and overload	yes
Actuator warning	per channel via BUS
Commercial data	
country of origin	DE
customs tariff number	85389099
minimum order quantity	1