

M23 FEMALE, 90° 19 POLE

PUR 8x0,34+3X0.75 GRAY, drag ch 15m

M23

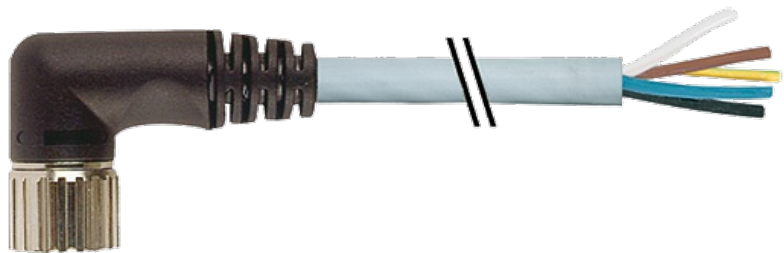
Female 90°

19-pole

11-pole used

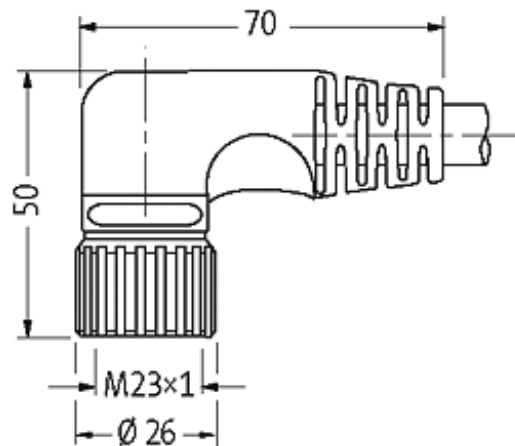
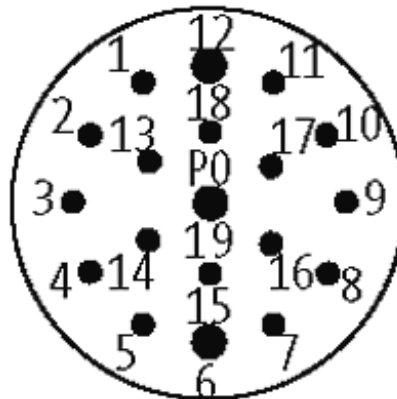
for 4-way distribution boxes, 5-pole

Further cable lengths on request. Plastic housings with good resistance against chemicals and oils. The resistance to aggressive media should be individually tested for your application. Further details on request.

[Link to Product](#)**Illustration**

15	white
7	gray/pink
5	green
4	red/blue
	yellow
16	white/green
8	gray
3	brown/green
14	brown 1.0 mm ²
19	blue 1.0 mm ²
6	green/yellow 1.0 mm ²
12	

Female



Product may differ from Image

Cables

Cable number	363
No./diameter of wires	8×0.34 + 3×0.75 mm ²
C-track properties	2 Mio.
Jacket Color	gray
Shore hardness outer jacket	85 ± 5A
Material (jacket)	PUR/PVC
Outer diameter	approx. 9.1 mm
Bend radius (fixed)	10 × outer Ø
Bend radius (moving)	12 × outer Ø
Temperature range (fixed)	-30...+80 °C
Temperature range (mobile)	-5...+70 °C

General data

Temperature range	-25...+85 °C, depending on cable quality
-------------------	------------------------------------------

Commercial data

country of origin	DE
customs tariff number	85444290

minimum order quantity

1